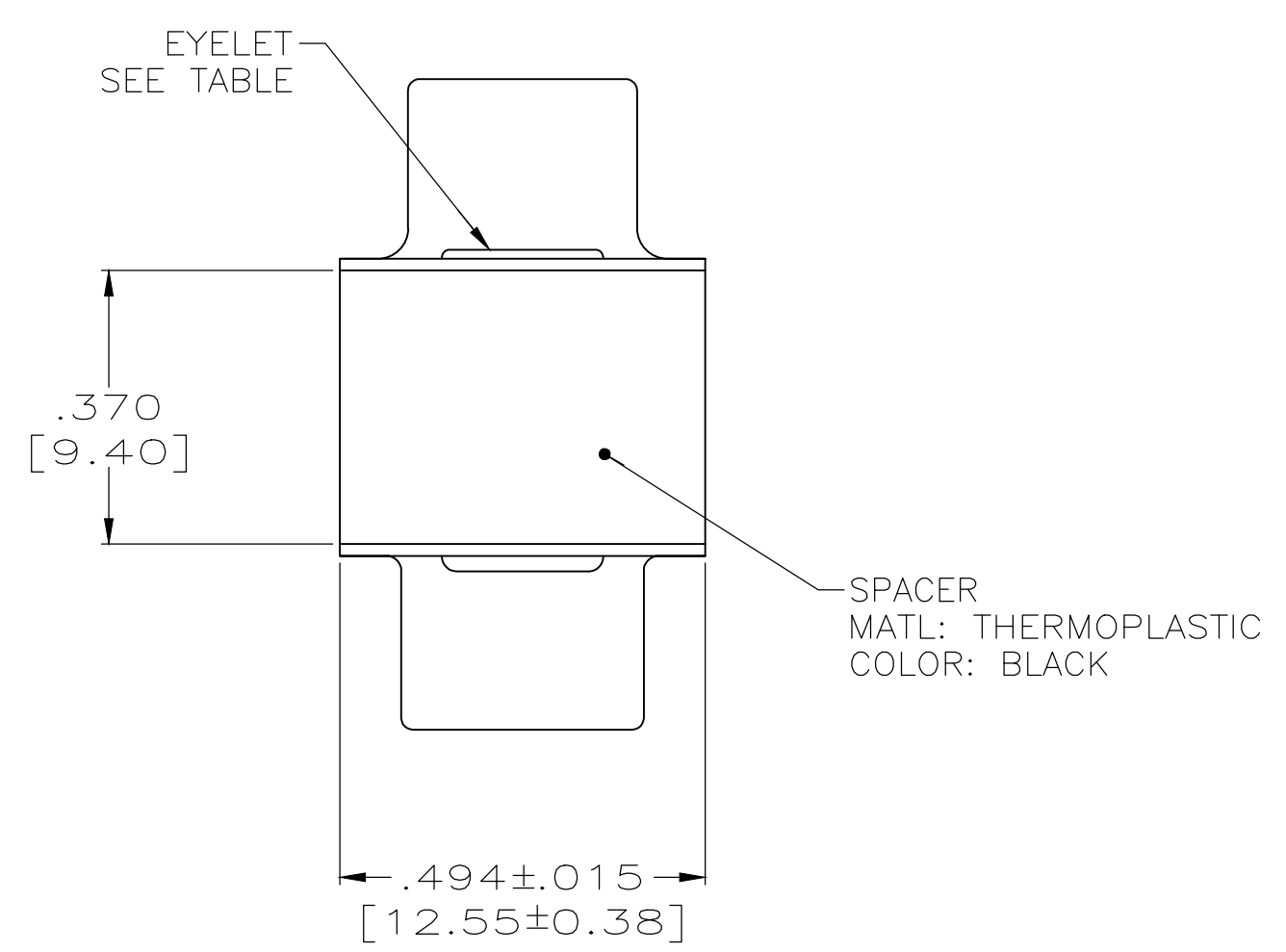
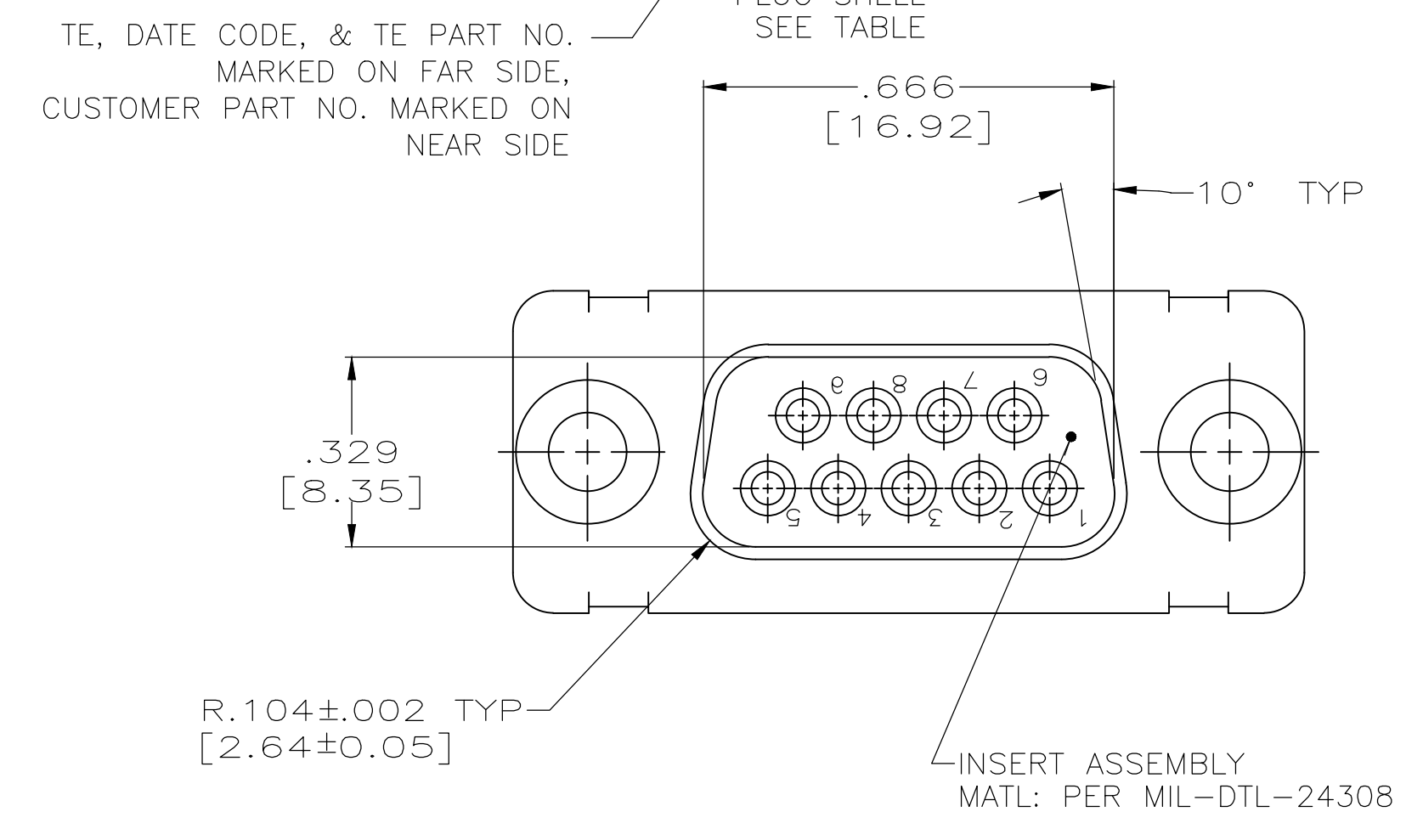
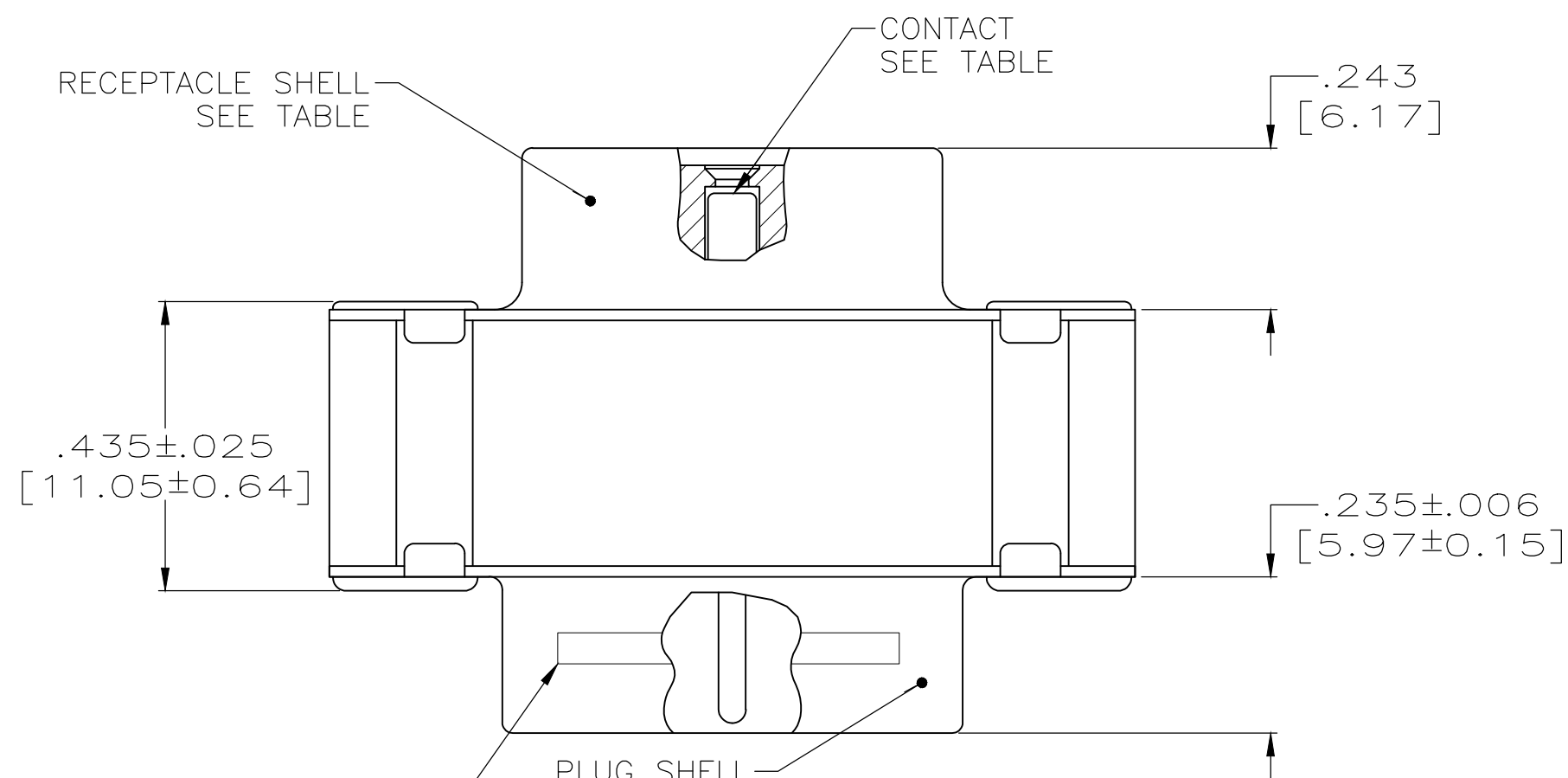
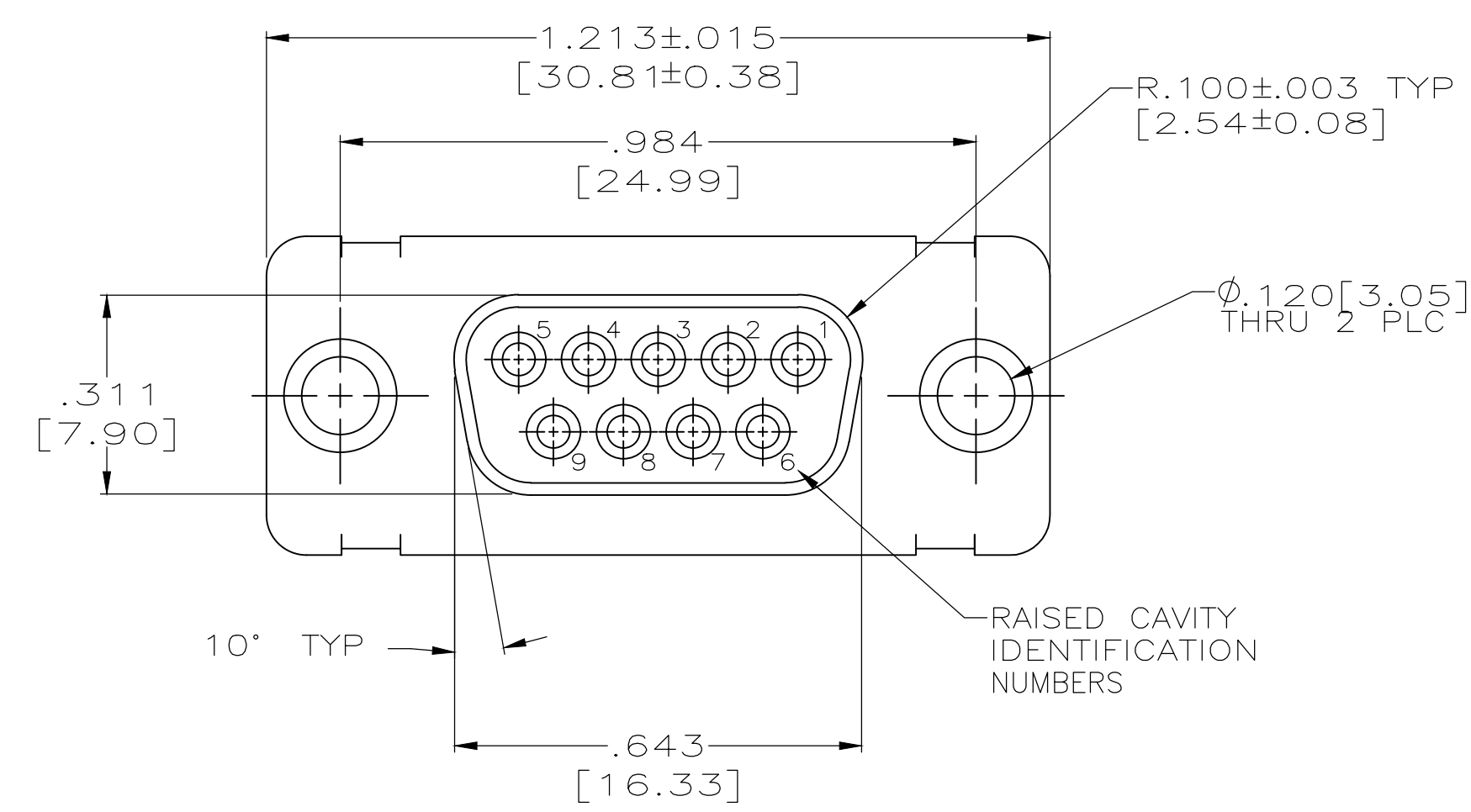
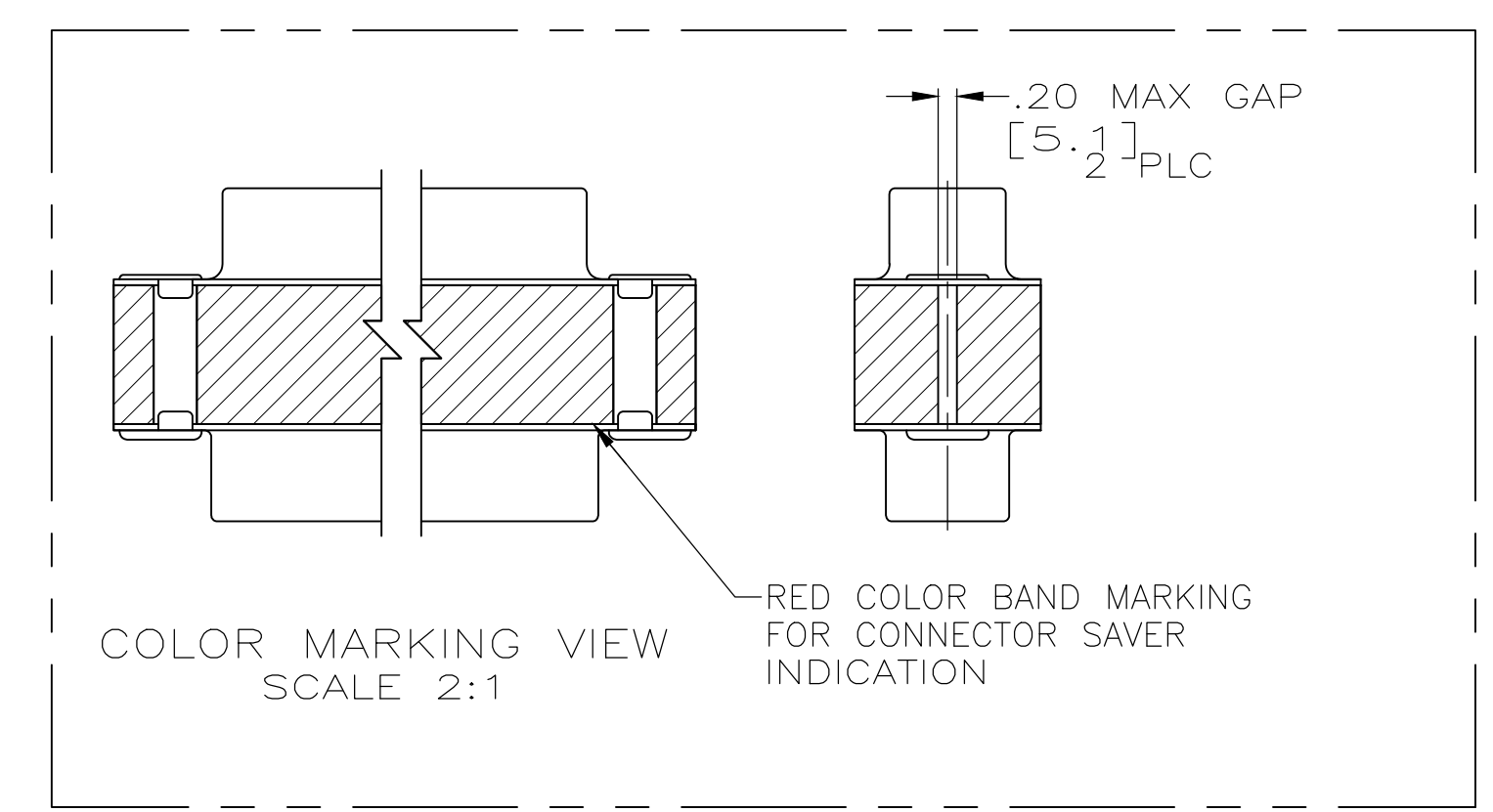


| REVISIONS |     |                       |         |     |      |
|-----------|-----|-----------------------|---------|-----|------|
| P         | LTR | DESCRIPTION           | DATE    | DMN | APVD |
| G         |     | REV PER ECO 19-019228 | 4-16-20 | CT  | DM   |



1. CONTACTS INCLUDED IN ASSEMBLY.
- △ CONTACT  
BODY MATL: BERYLLIUM COPPER PER ASTM-B-197.  
BODY FINISH: PLATED GOLD, .000050 MIN THK PER MIL-G-45204 OVER NICKEL, .000050 MIN THK PER QQ-N-290.  
HOOD MATL: STAINLESS STEEL PER ASTM-A-167.  
HOOD FINISH: PASSIVATED PER ASTM-A-380
  - △ MATL: BRASS PER ASTM-B-36.
  - △ FINISH: PLATED GOLD, .000050 MIN THK PER MIL-G-45204 OVER COPPER, .000100 MIN THK PER MIL-C-14550.



|  |                    |                         |                                |                    |
|--|--------------------|-------------------------|--------------------------------|--------------------|
| △ △                                    | △ △                | △                       | 4U884 SOCN R10002677-0001      | 1218303-2          |
| △ △                                    | △ △                | △                       | (1J02-001)                     | 1218303-1          |
| EYELET                                 | SHELLS             | CONTACT                 | CUSTOMER P/N                   | PART NO.           |
| THIS DRAWING IS A CONTROLLED DOCUMENT. |                    | DIN T. THOMPSON 18AUG98 | TE Connectivity                |                    |
| DIMENSIONS: INCHES                     |                    | CHK J. NORTON 18AUG98   |                                |                    |
| TOLERANCES UNLESS OTHERWISE SPECIFIED: |                    | APVD J. NORTON 18AUG98  | NAME AMPLIMITE CONNECTOR SAVER |                    |
| 0 PLC ± -                              | 1 PLC ± -          | PRODUCT SPEC            | SERIES 109, SIZE 1, 9 POS      |                    |
| 2 PLC ± -                              | 3 PLC ± .005(0.13) | APPLICATION SPEC        | NON-REMOVABLE CONTACTS         |                    |
| 4 PLC ± -                              | ANGLES ± -         | SIZE                    | CAGE CODE                      | DRAWING NO         |
| MATERIAL                               | FINISH             | WEIGHT 0.000000         | A1 00779                       | 1218303            |
| CUSTOMER DRAWING                       |                    |                         | SCALE 4:1                      | SHEET 1 OF 1 REV G |

单击下面可查看定价，库存，交付和生命周期等信息

[>>TE Connectivity\(泰科\)](#)