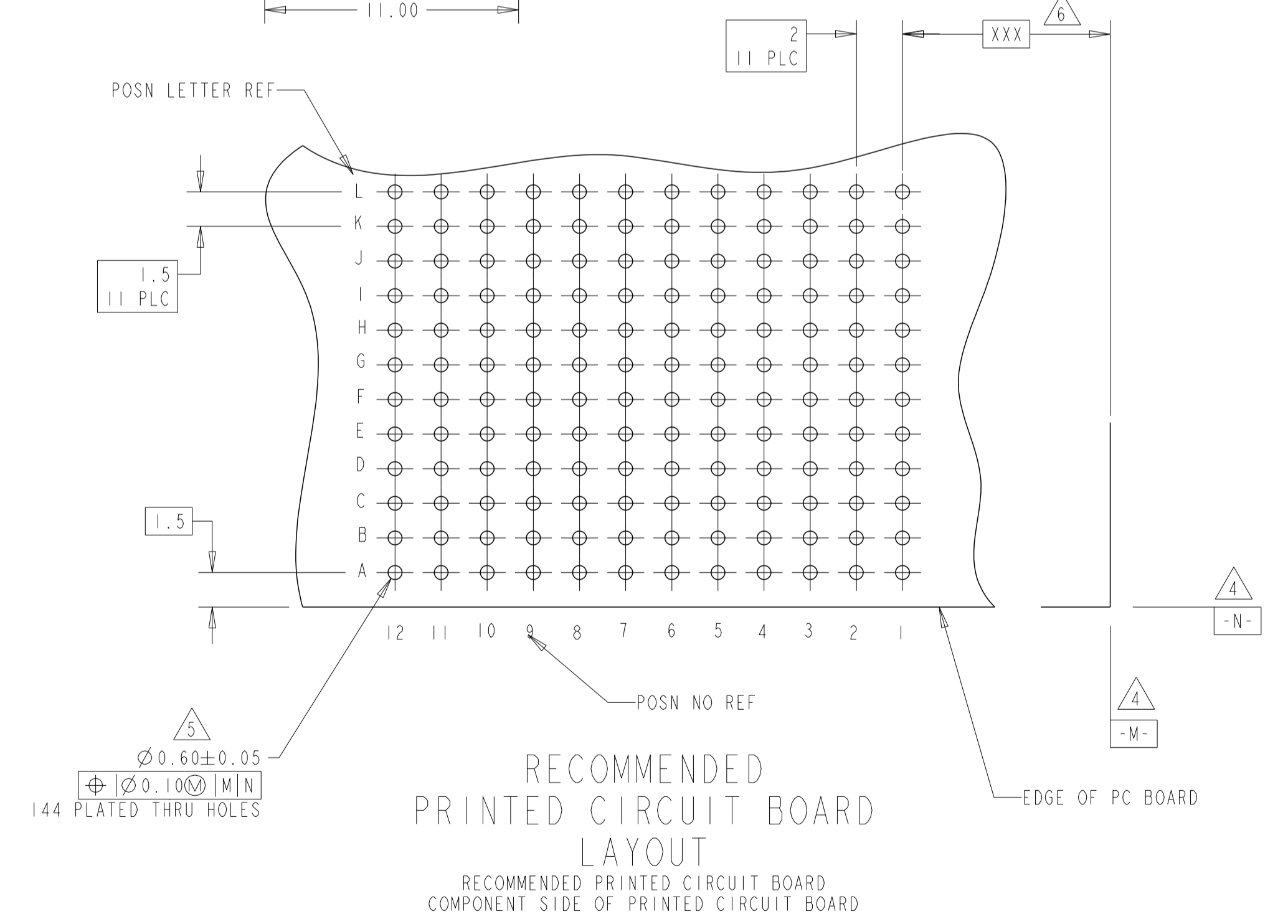
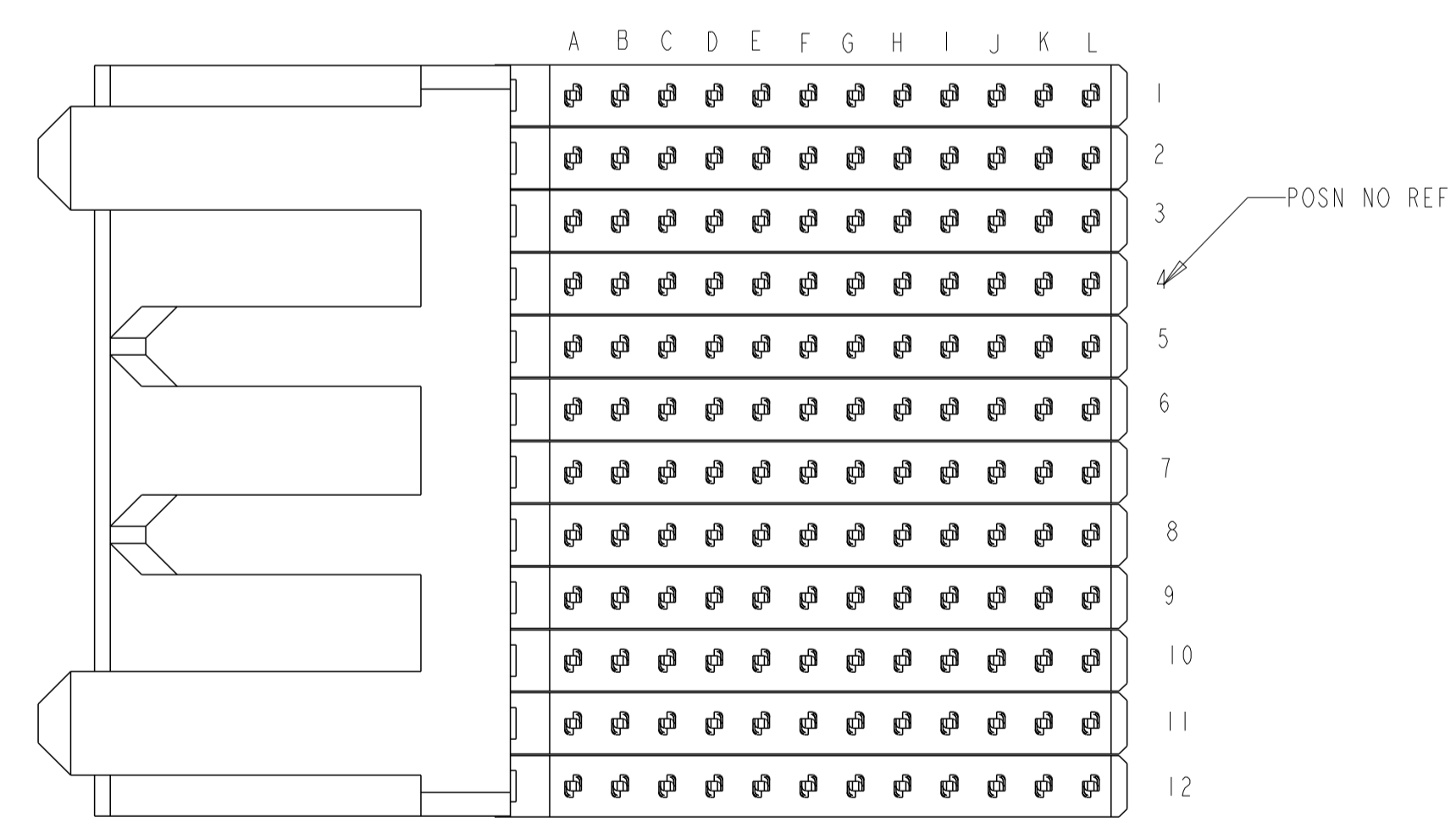
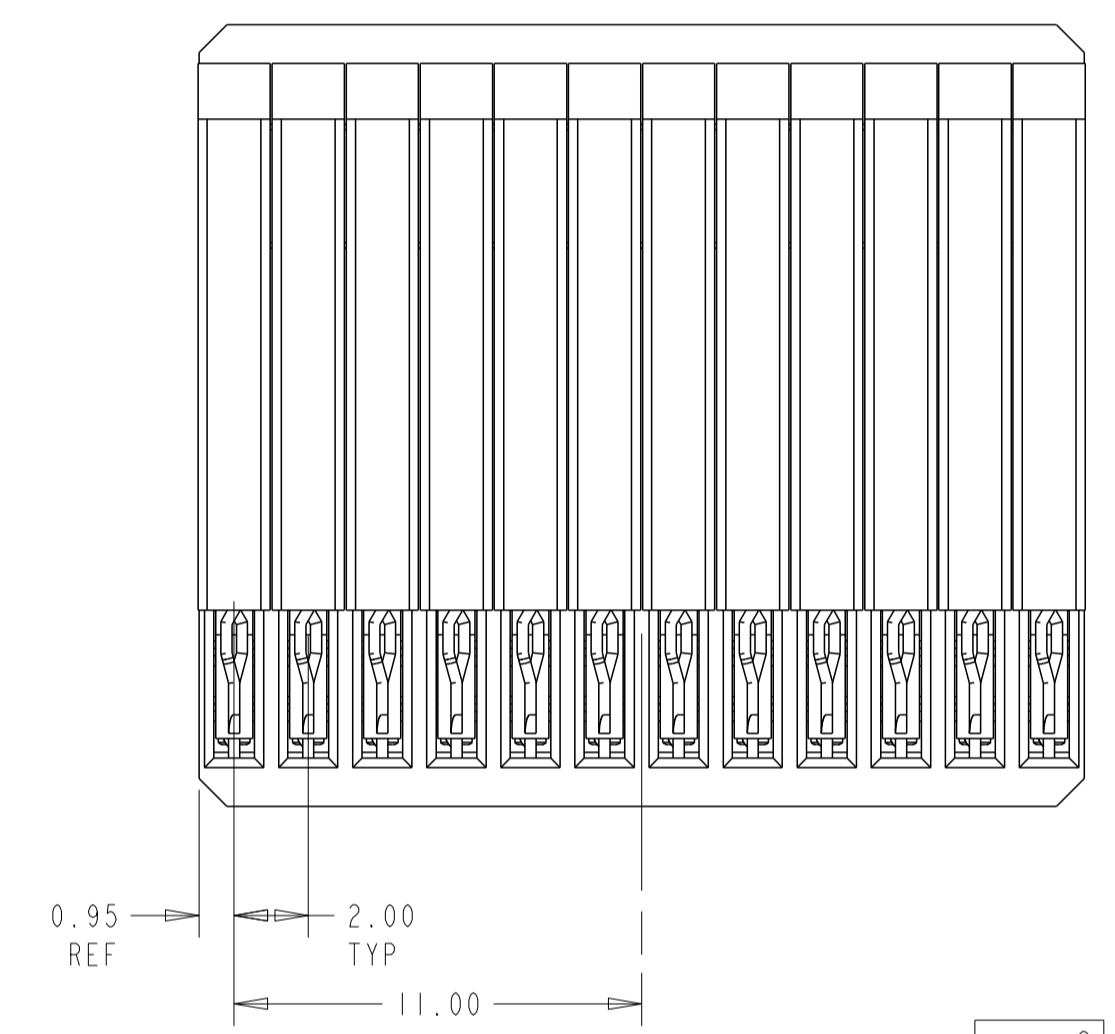
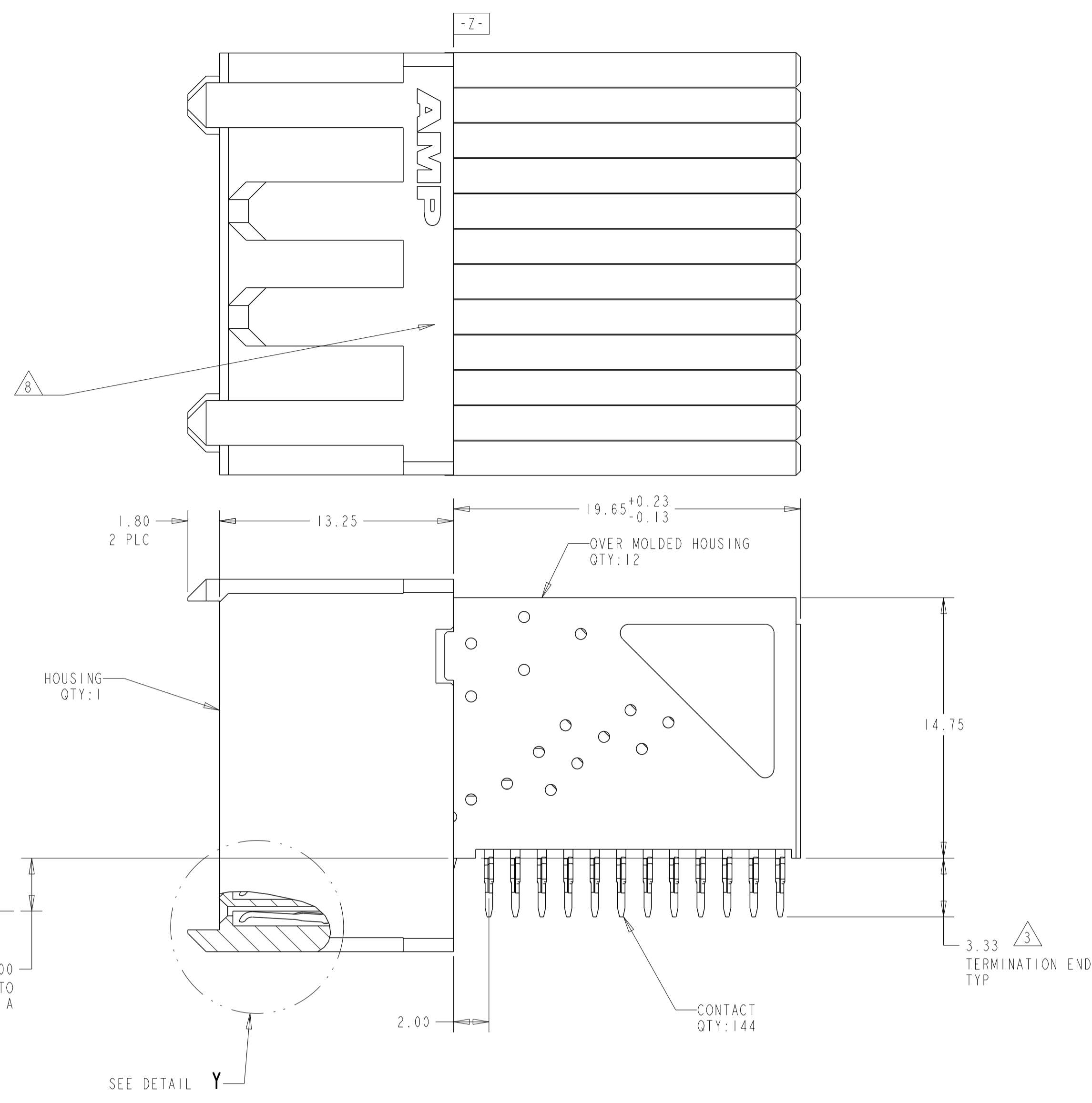
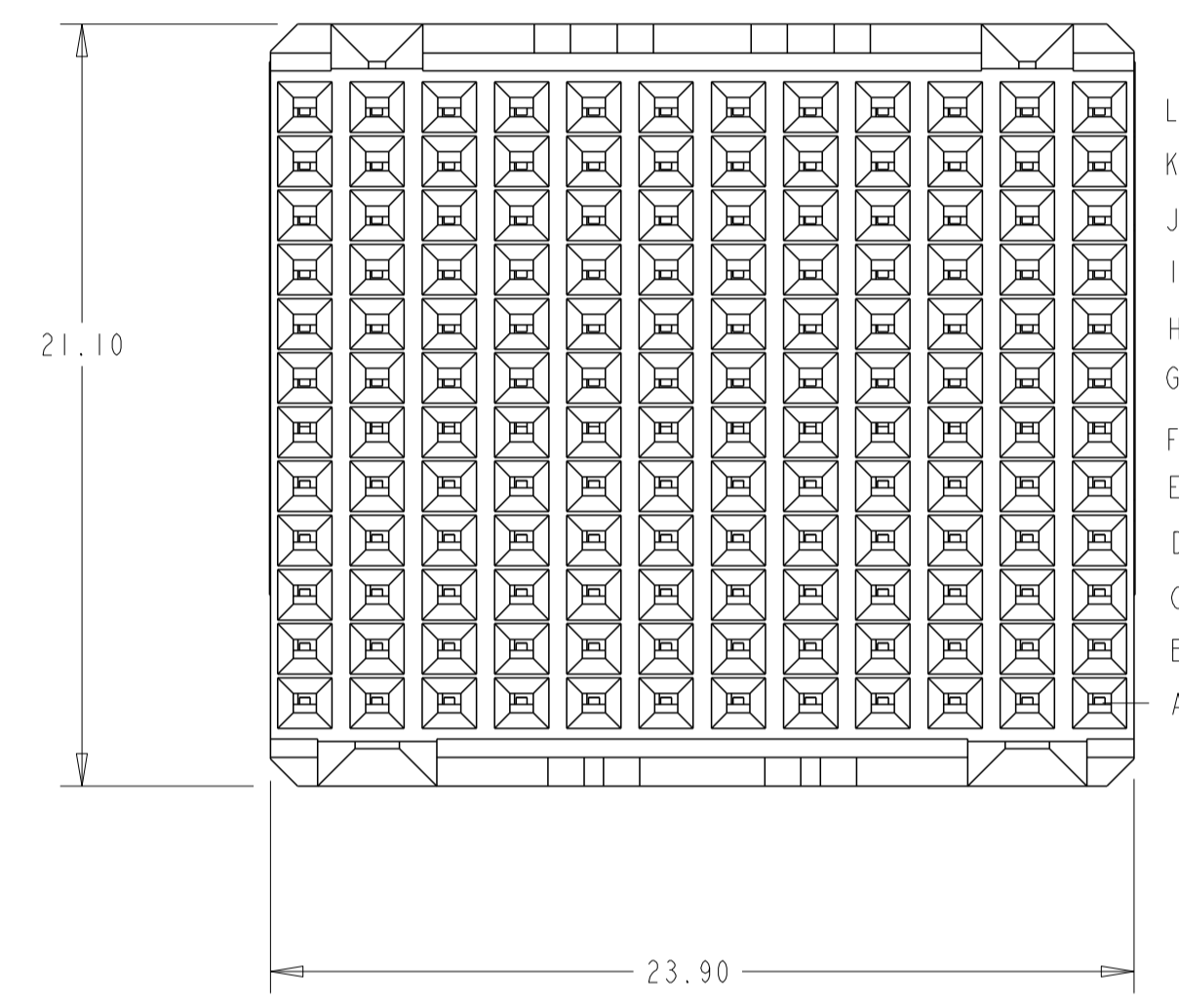
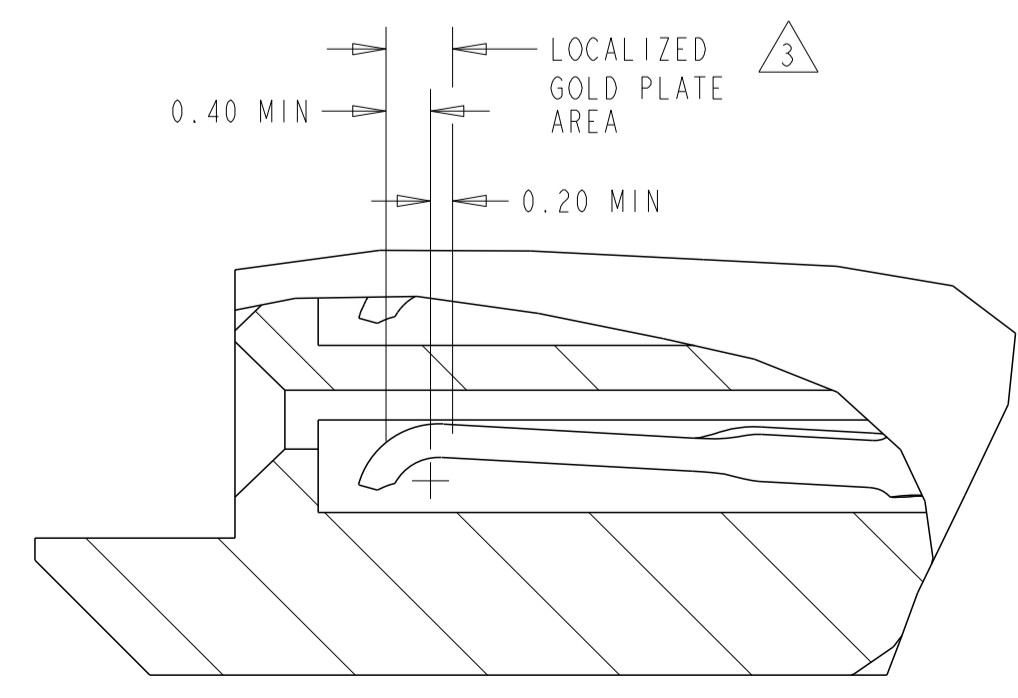


LOC	DIST	REVISIONS			
P	LTR	DESCRIPTION	DATE	DRN	APVD
A		INITIAL RELEASE	10MAY11	RC	CW



- 1 GLASS FILLED POLYESTER, BLACK
- 2 PHOSPHOR BRONZE
- 3 CONFORMS TO ALL TESTING ACCORDING TO IEC 61076-4-101 PERFORMANCE LEVEL 2.
- 4 DATUMS ESTABLISHED BY CUSTOMER.
- 5 DRILLED HOLE DIAMETER 0.700±0.025  
COPPER THK 0.025-0.05  
TIN THICKNESS 0.004-0.01
- 6 DIMENSION ESTABLISHED BY CUSTOMER.
- 7 GENERAL PLATING SPECIFICATION: UNDERPLATING (ENTIRE CONTACT): 1.27um MIN NICKEL AND ACTION PIN: 0.5um MIN TIN.  
FOR PLATING OF MATING SURFACES SEE APPLICABLE SPECIFICATION REFERENCE FOR EACH DASH NUMBER.
- 8 CONNECTOR PRINTED WITH PART NUMBER AND DATE CODE, LOCATED APPROXIMATELY AS SHOWN.



DETAIL Y  
SCALE 15:1

THIS DRAWING IS A CONTROLLED DOCUMENT. DWN: RAYMOND CAO TOMAY11  
 CKW: ALEX SHOAL TOMAY11  
 APVD: MANOJAN WANG TOMAY11  
 PRODUCT SPEC

RECEPTACLE ASSEMBLY,  
 144 POSITION,  
 12 ROW, Z-PACK HM

SIZE: A1 CAGE CODE: 00779 DRAWING NO: 1645568  
 WEIGHT: -  
 MATERIAL: HOUSING: 1 CONTACTS: 2 CONTACTS: 3 7

SCALE: 5:1 SHEET: 1 OF 1 REV: A

单击下面可查看定价，库存，交付和生命周期等信息

[>>TE Connectivity\(泰科\)](#)