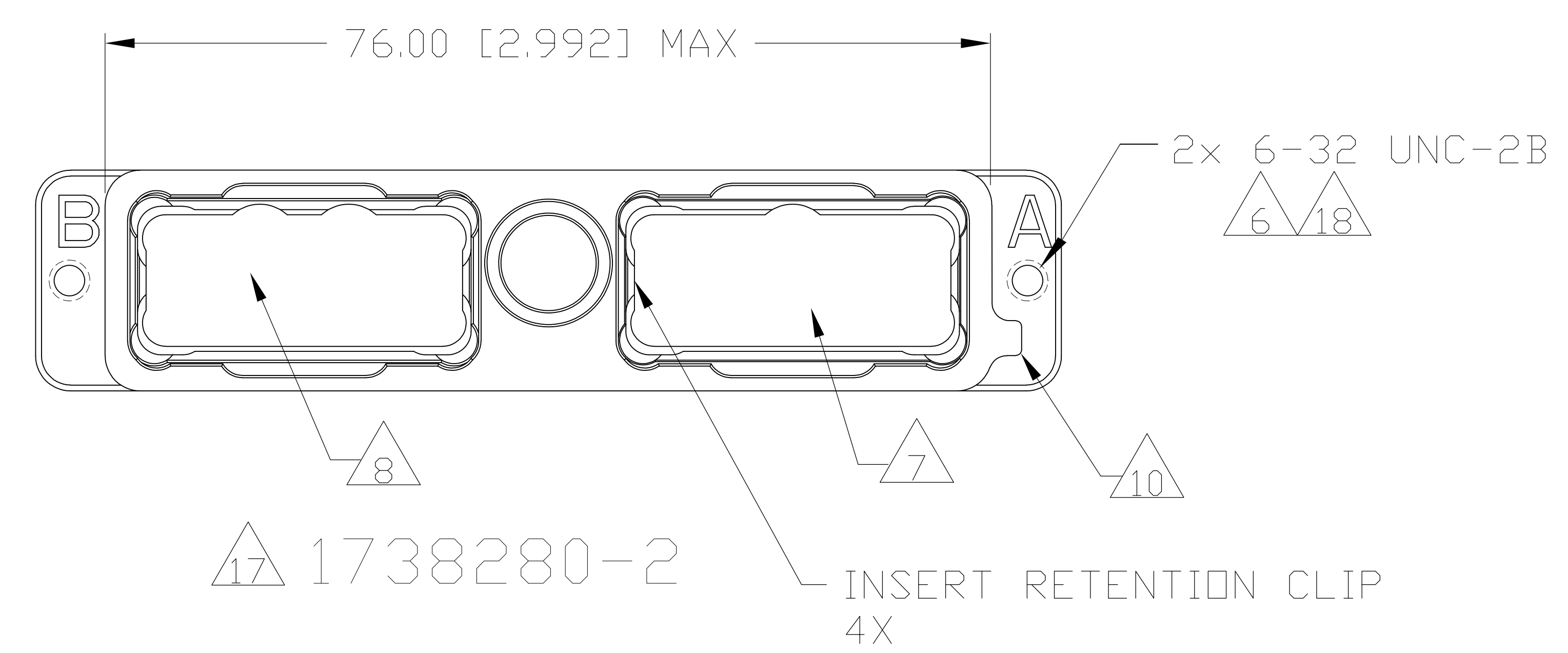
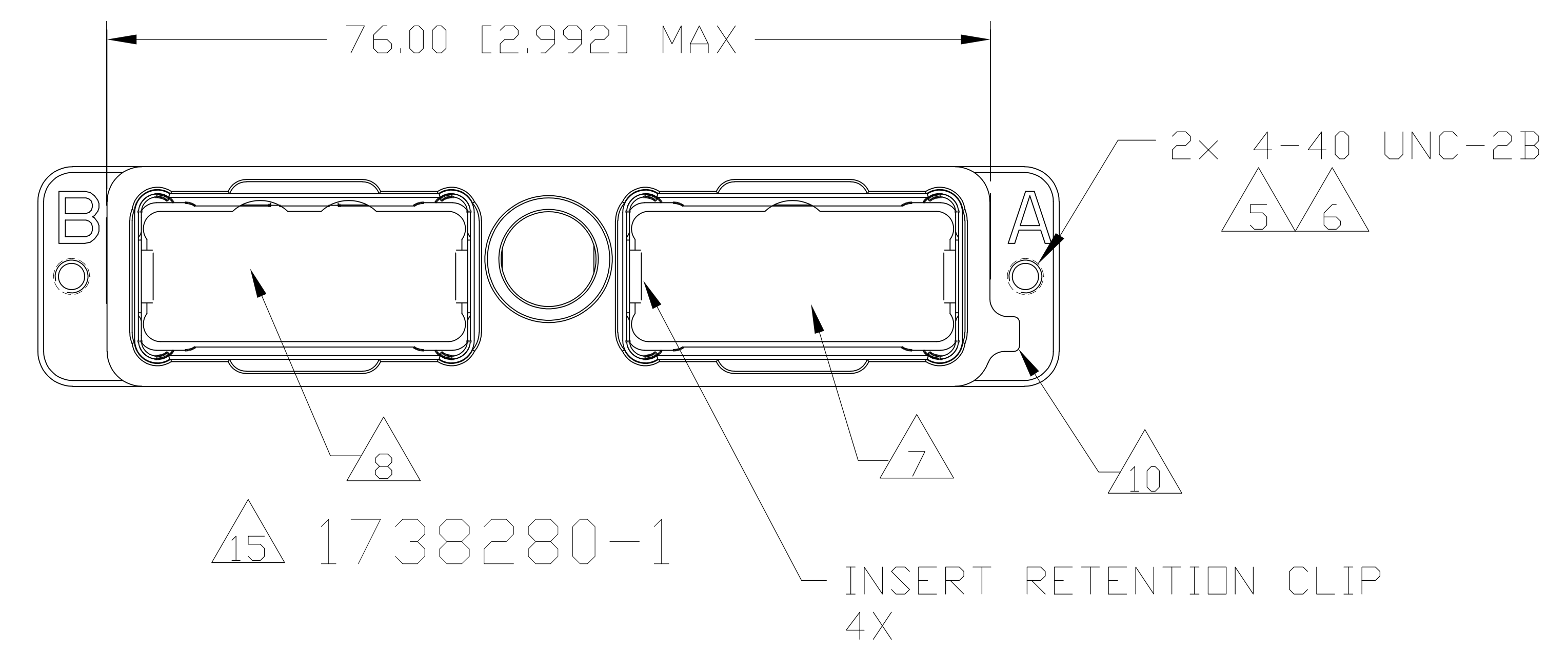
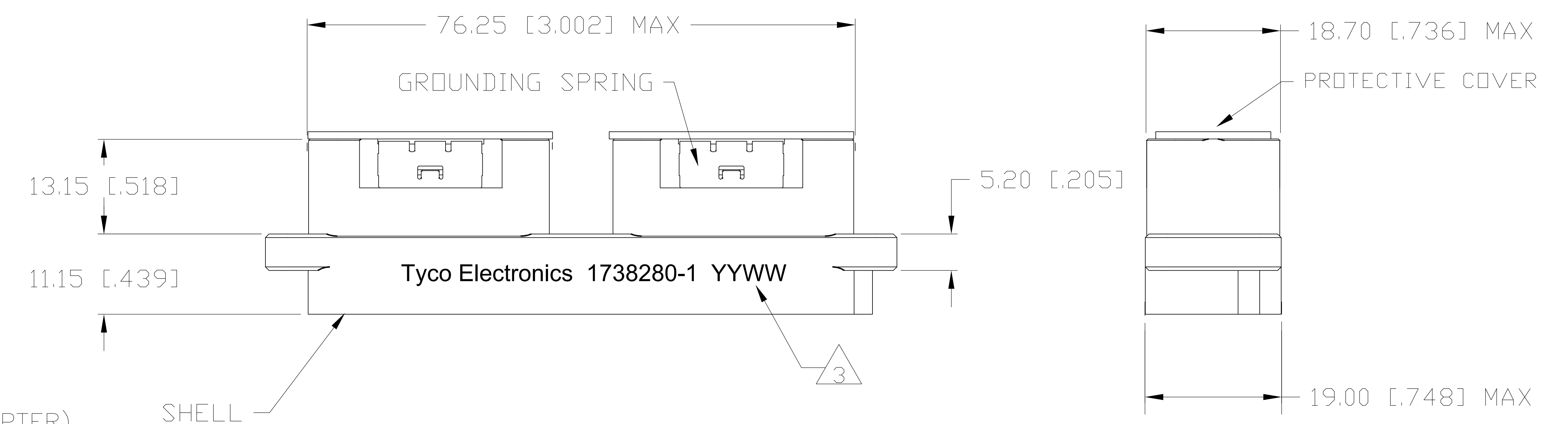
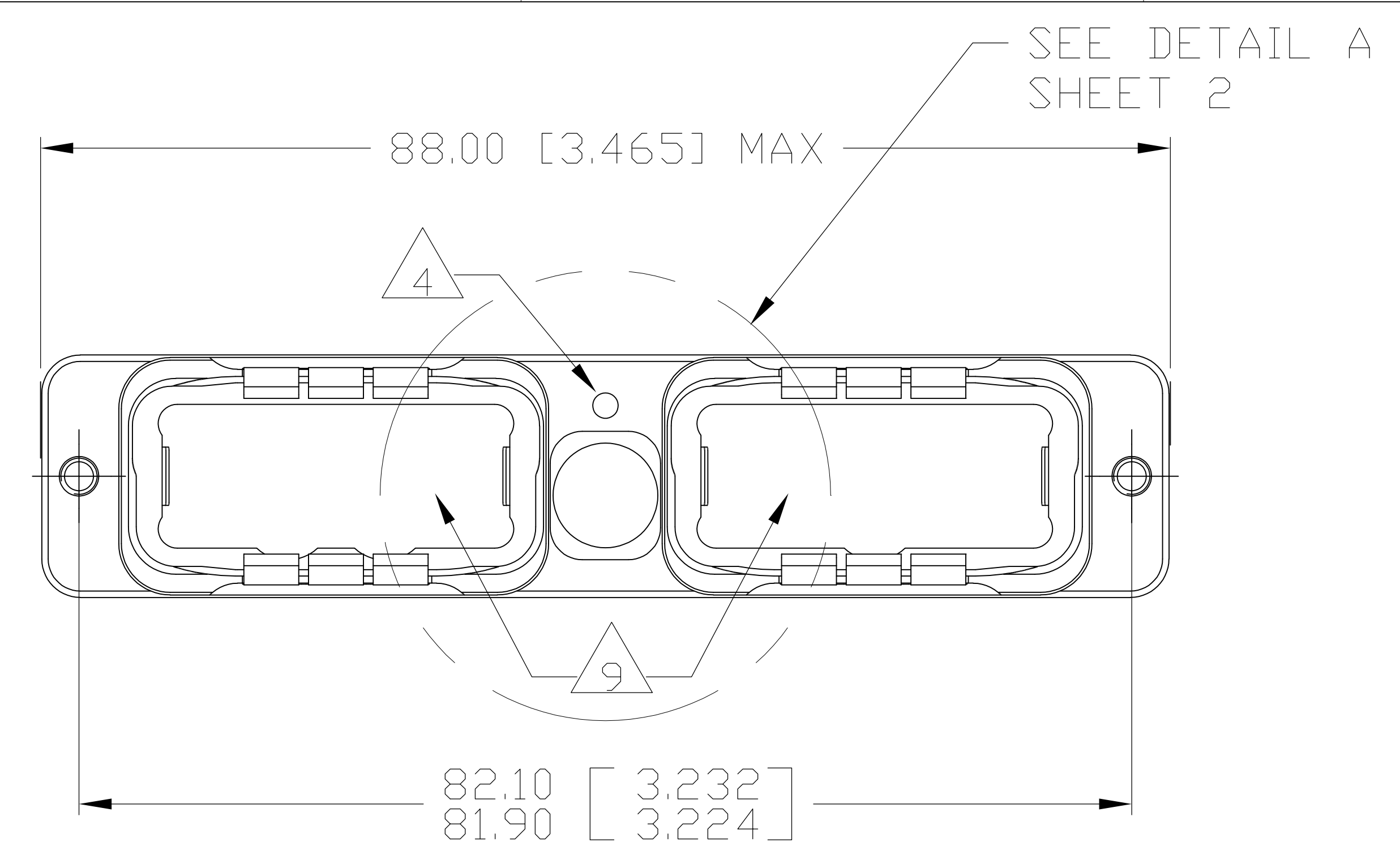


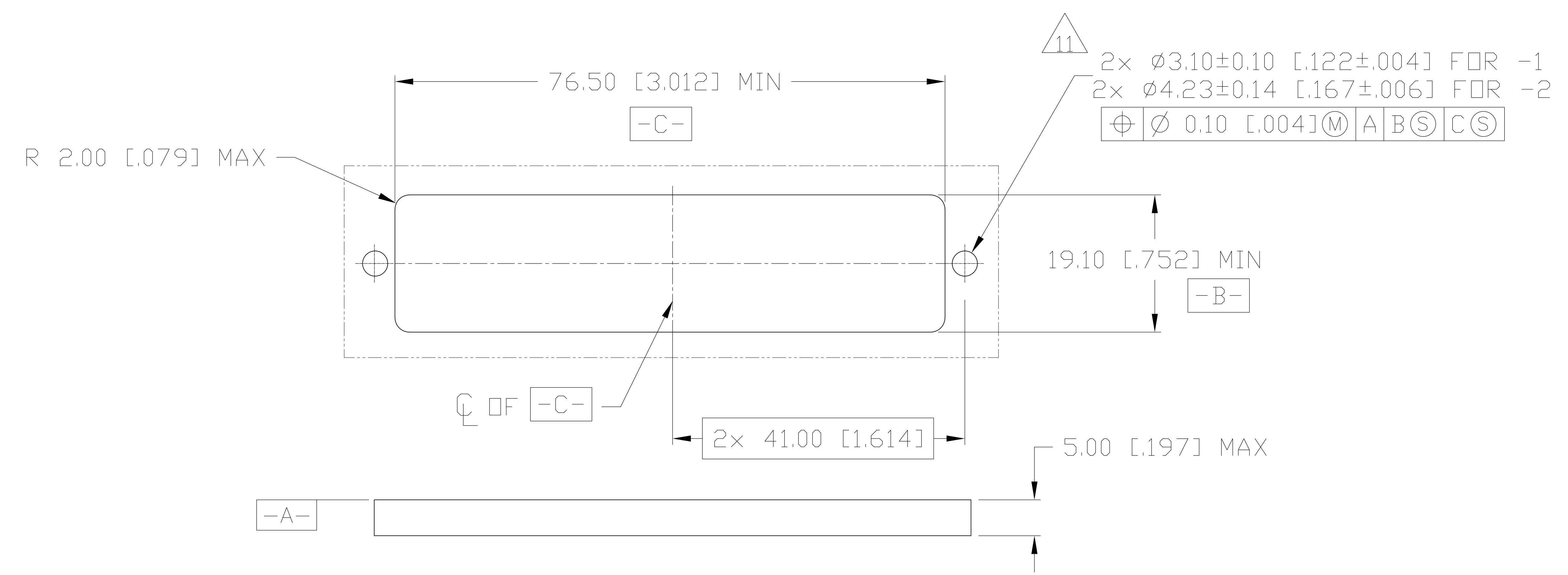
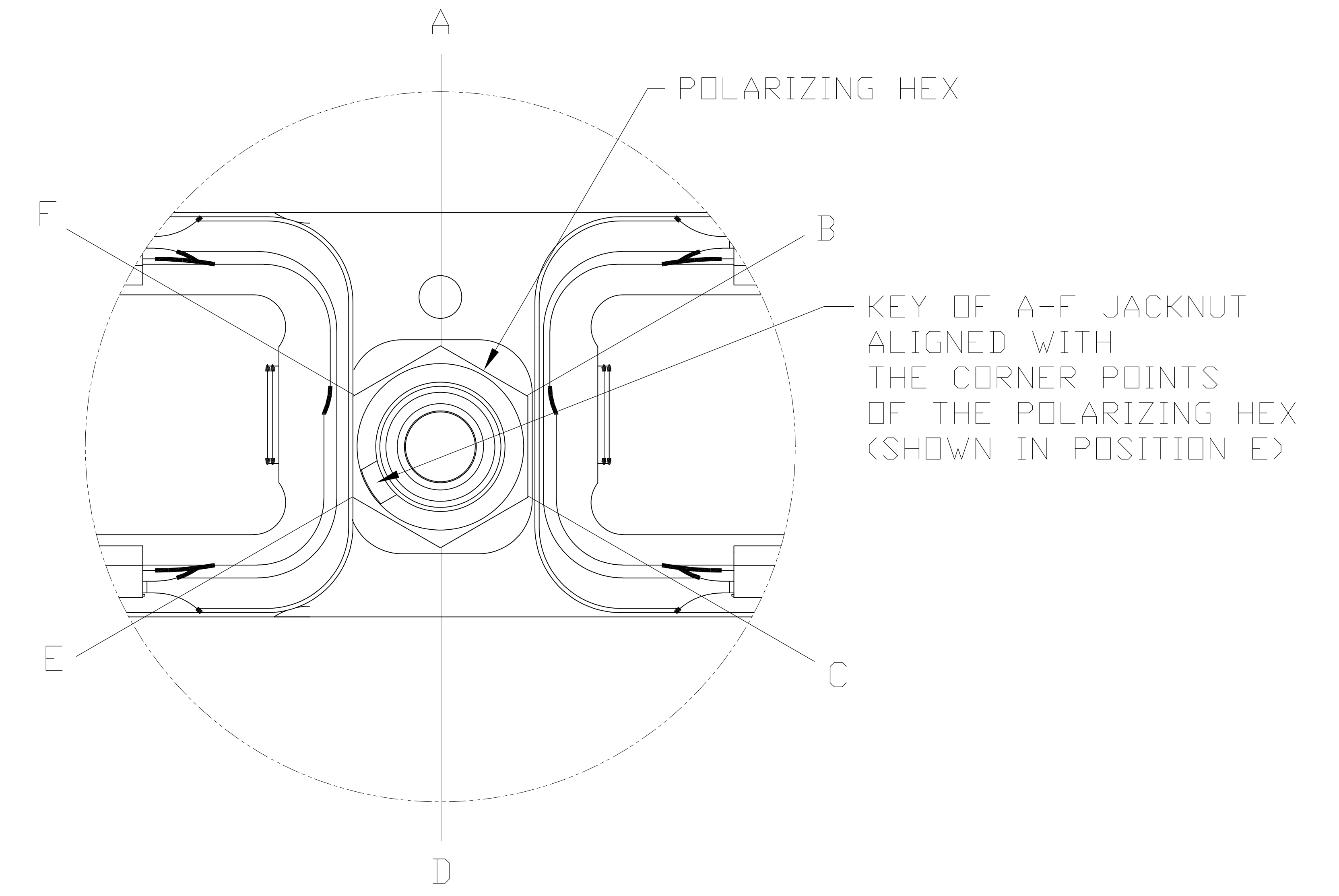
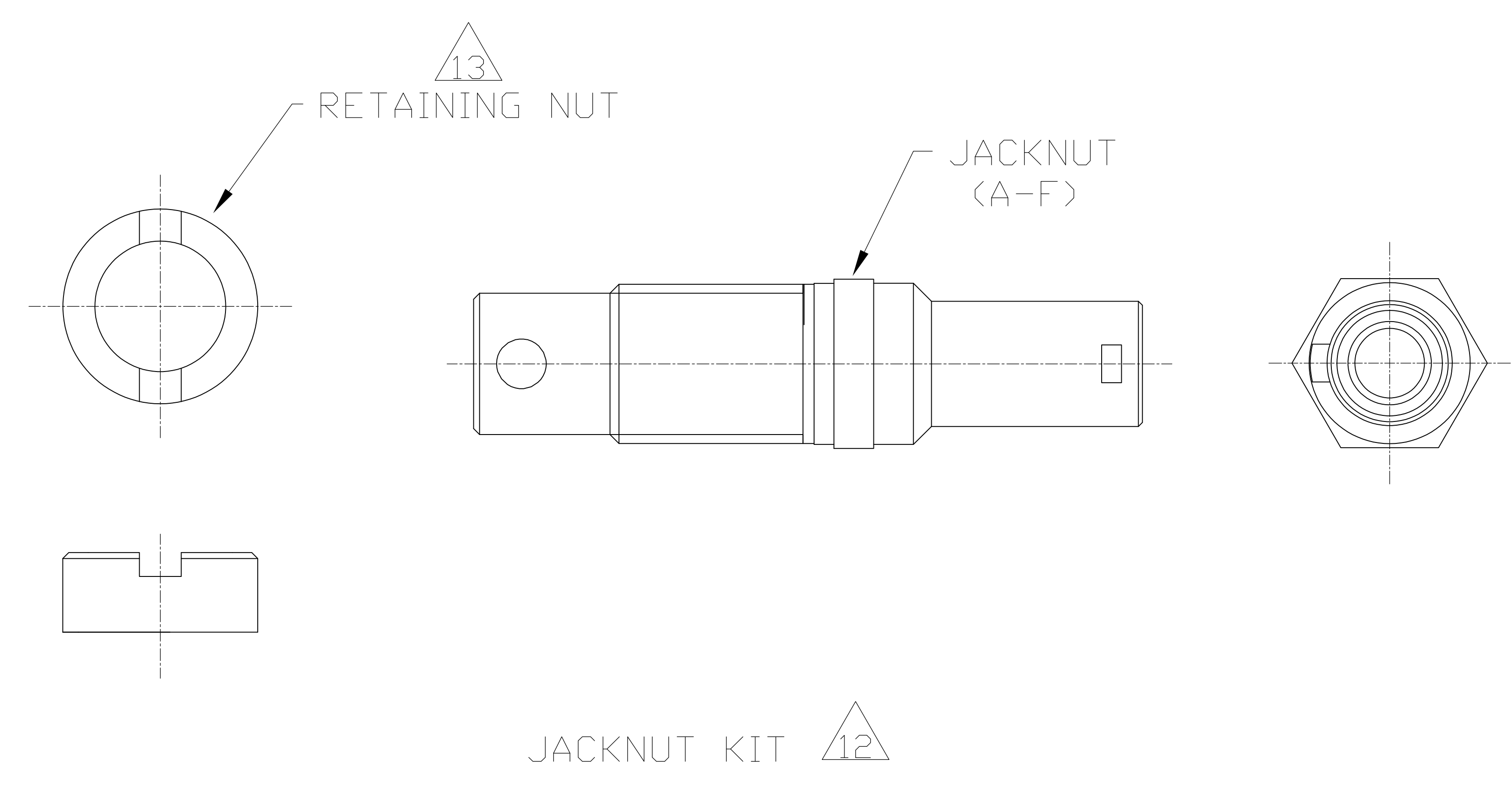
REV	DESCRIPTION	DATE	BY	APP'D
B	REV PER ECO 14-006462	5-1-14	CT	KH

- 1 SHELL: ALUMINUM ALLOY 6061 T651  
INSERT RETENTION CLIP & GROUNDING SPRING: COPPER ALLOY PER ASTM B194  
JACKNUT & RETAINING NUT: STAINLESS STEEL PER AISI 316  
JACKNUT SPRING: STAINLESS STEEL PER AISI 302  
PROTECTIVE COVER: THERMOPLASTIC ELASTOMER
- 2 SHELL: ELECTROLESS NICKEL PER SAE AMS-C-26074, CLASS 1.  
GROUNDING SPRING: ELECTROLYTIC NICKEL PER SAE AMS-QQ-290.
- 3 PART TO BE MARKED WITH TYCO ELECTRONICS PRODUCT IDENTIFIER, PART NUMBER AND DATE CODE (YYWW) IN APPROX. AREA SHOWN.
- 4 INDEXING POINT FOR POLARIZATION.
- 5 4-40 SCREWS ARE REQUIRED FOR PANEL MOUNTING (NOT INCLUDED)  
RECOMMENDED TORQUE 1.1 N-m [10 in-lb] MIN
- 6 THREADED HOLES ARE SELF-LOCKING, HAVING THE SPIRALOCK THREAD FORM.  
SPIRALOCK IS A REGISTERED TRADEMARK OF SPIRALOCK CORPORATION.
- 7 SHELL CAVITY FOR GPRB SERIES INSERTS WITH KEYING CODE A.
- 8 SHELL CAVITY FOR GPRB SERIES INSERTS WITH KEYING CODE B.
- 9 PROTECTIVE COVERS NOT SHOWN FOR CLARITY.
- 10 POLARIZATION FEATURE TO PREVENT FRONT PANEL MOUNTING.
- 11 SCREW HEAD DIAMETER: 6.00 [.236] MAX.
- 12 THE JACKNUT AND RETAINING NUT ARE SHIPPED UNASSEMBLED.  
THE CUSTOMER SHALL APPLY LOCTITE<sup>®</sup> PRODUCT 272 THREADLOCKING ADHESIVE WHEN INSTALLING THESE ON THE SHELL ASSEMBLY. LOCTITE<sup>®</sup> IS A REGISTERED TRADEMARK OF LOCTITE CORPORATION.
- 13 A SPANNER WRENCH TOOL, TYCO ELECTRONICS P/N 1738220-1 (WITH 1/4-in ADAPTER) OR 1738221-1 (WITH T-HANDLE), IS USED TO LOCK THE RETAINING NUT.  
RECOMMENDED LOCKING TORQUE: 1.5 N-m [13 in-lb].
- 14. PITCH FOR SIDE-BY-SIDE MOUNTING: 19.50 [.768] MIN.
- 15 FOR 1738280-1  
DESCRIPTIVE PART NUMBER: GPRB2HL22N  
SERIES: GPRB  
SHELL SIZE: 2 (TWO-CAVITY SHELL)  
SHELL STYLE: H (RECEPTACLE WITH GROUNDING SPRINGS)  
MODIFICATION CODE: L (2x 4-40 UNC MOUNTING HOLES FOR REAR PANEL-MOUNTING)  
LOCKING & POLARIZING DEVICE: 2 (JACKNUT)  
POLARIZATION CODE: 2 (A-F JACKNUT HARDWARE SHIPPED UNASSEMBLED)  
SHELL PLATING: N (NICKEL PLATING)
- 16. THIS PRODUCT IS SOLD BY TYCO ELECTRONICS UNDER A LICENSE FROM RADIALL SA.
- 17 FOR 1738280-2  
DESCRIPTIVE PART NUMBER: GPRB2HF22N  
SERIES: GPRB  
SHELL SIZE: 2 (TWO-CAVITY SHELL)  
SHELL STYLE: H (RECEPTACLE WITH GROUNDING SPRINGS)  
MODIFICATION CODE: F (2x 6-32 UNC MOUNTING HOLES FOR REAR PANEL-MOUNTING)  
LOCKING & POLARIZING DEVICE: 2 (JACKNUT)  
POLARIZATION CODE: 2 (A-F JACKNUT HARDWARE SHIPPED UNASSEMBLED)  
SHELL PLATING: N (NICKEL PLATING)
- 18 6-32 SCREWS ARE REQUIRED FOR PANEL MOUNTING (NOT INCLUDED)  
RECOMMENDED TORQUE 1.6 N-m [14 in-lb] MIN



W/6-32 HOLES	1738280-2
W/4-40 HOLES	1738280-1
DESCRIPTION	PART NO.

THIS DRAWING IS A CONTROLLED DOCUMENT. DATE: 05/14/14. DWG NO: 1738280-1. DRW: J.MOSIER. REV: 0000. **STE** TE Connectivity. RECEPTACLE SHELL KIT, REAR PANEL MOUNT, WITH A-F JACKNUT, GPRB2. DRAWING NO: 1738280. SCALE: 2:1. SHEET 1 OF 2. REV B. CUSTOMER DRAWING.



DIMENSIONS		TOLERANCES UNLESS OTHERWISE SPECIFIED:		REV	
mm	(INCHES)	Ø, H, L	mm	DATE	BY
0.125	0.005	0.125	0.005		
0.250	0.010	0.250	0.010		
0.500	0.020	0.500	0.020		
1.000	0.040	1.000	0.040		
1.500	0.060	1.500	0.060		
2.000	0.080	2.000	0.080		
2.500	0.100	2.500	0.100		
3.000	0.120	3.000	0.120		
3.500	0.140	3.500	0.140		
4.000	0.160	4.000	0.160		
4.500	0.180	4.500	0.180		
5.000	0.200	5.000	0.200		
5.500	0.220	5.500	0.220		
6.000	0.240	6.000	0.240		
6.500	0.260	6.500	0.260		
7.000	0.280	7.000	0.280		
7.500	0.300	7.500	0.300		
8.000	0.320	8.000	0.320		
8.500	0.340	8.500	0.340		
9.000	0.360	9.000	0.360		
9.500	0.380	9.500	0.380		
10.000	0.400	10.000	0.400		
10.500	0.420	10.500	0.420		
11.000	0.440	11.000	0.440		
11.500	0.460	11.500	0.460		
12.000	0.480	12.000	0.480		
12.500	0.500	12.500	0.500		
13.000	0.520	13.000	0.520		
13.500	0.540	13.500	0.540		
14.000	0.560	14.000	0.560		
14.500	0.580	14.500	0.580		
15.000	0.600	15.000	0.600		
15.500	0.620	15.500	0.620		
16.000	0.640	16.000	0.640		
16.500	0.660	16.500	0.660		
17.000	0.680	17.000	0.680		
17.500	0.700	17.500	0.700		
18.000	0.720	18.000	0.720		
18.500	0.740	18.500	0.740		
19.000	0.760	19.000	0.760		
19.500	0.780	19.500	0.780		
20.000	0.800	20.000	0.800		
20.500	0.820	20.500	0.820		
21.000	0.840	21.000	0.840		
21.500	0.860	21.500	0.860		
22.000	0.880	22.000	0.880		
22.500	0.900	22.500	0.900		
23.000	0.920	23.000	0.920		
23.500	0.940	23.500	0.940		
24.000	0.960	24.000	0.960		
24.500	0.980	24.500	0.980		
25.000	1.000	25.000	1.000		
25.500	1.020	25.500	1.020		
26.000	1.040	26.000	1.040		
26.500	1.060	26.500	1.060		
27.000	1.080	27.000	1.080		
27.500	1.100	27.500	1.100		
28.000	1.120	28.000	1.120		
28.500	1.140	28.500	1.140		
29.000	1.160	29.000	1.160		
29.500	1.180	29.500	1.180		
30.000	1.200	30.000	1.200		
30.500	1.220	30.500	1.220		
31.000	1.240	31.000	1.240		
31.500	1.260	31.500	1.260		
32.000	1.280	32.000	1.280		
32.500	1.300	32.500	1.300		
33.000	1.320	33.000	1.320		
33.500	1.340	33.500	1.340		
34.000	1.360	34.000	1.360		
34.500	1.380	34.500	1.380		
35.000	1.400	35.000	1.400		
35.500	1.420	35.500	1.420		
36.000	1.440	36.000	1.440		
36.500	1.460	36.500	1.460		
37.000	1.480	37.000	1.480		
37.500	1.500	37.500	1.500		
38.000	1.520	38.000	1.520		
38.500	1.540	38.500	1.540		
39.000	1.560	39.000	1.560		
39.500	1.580	39.500	1.580		
40.000	1.600	40.000	1.600		
40.500	1.620	40.500	1.620		
41.000	1.640	41.000	1.640		
41.500	1.660	41.500	1.660		
42.000	1.680	42.000	1.680		
42.500	1.700	42.500	1.700		
43.000	1.720	43.000	1.720		
43.500	1.740	43.500	1.740		
44.000	1.760	44.000	1.760		
44.500	1.780	44.500	1.780		
45.000	1.800	45.000	1.800		
45.500	1.820	45.500	1.820		
46.000	1.840	46.000	1.840		
46.500	1.860	46.500	1.860		
47.000	1.880	47.000	1.880		
47.500	1.900	47.500	1.900		
48.000	1.920	48.000	1.920		
48.500	1.940	48.500	1.940		
49.000	1.960	49.000	1.960		
49.500	1.980	49.500	1.980		
50.000	2.000	50.000	2.000		

单击下面可查看定价，库存，交付和生命周期等信息

[>>TE Connectivity\(泰科\)](#)