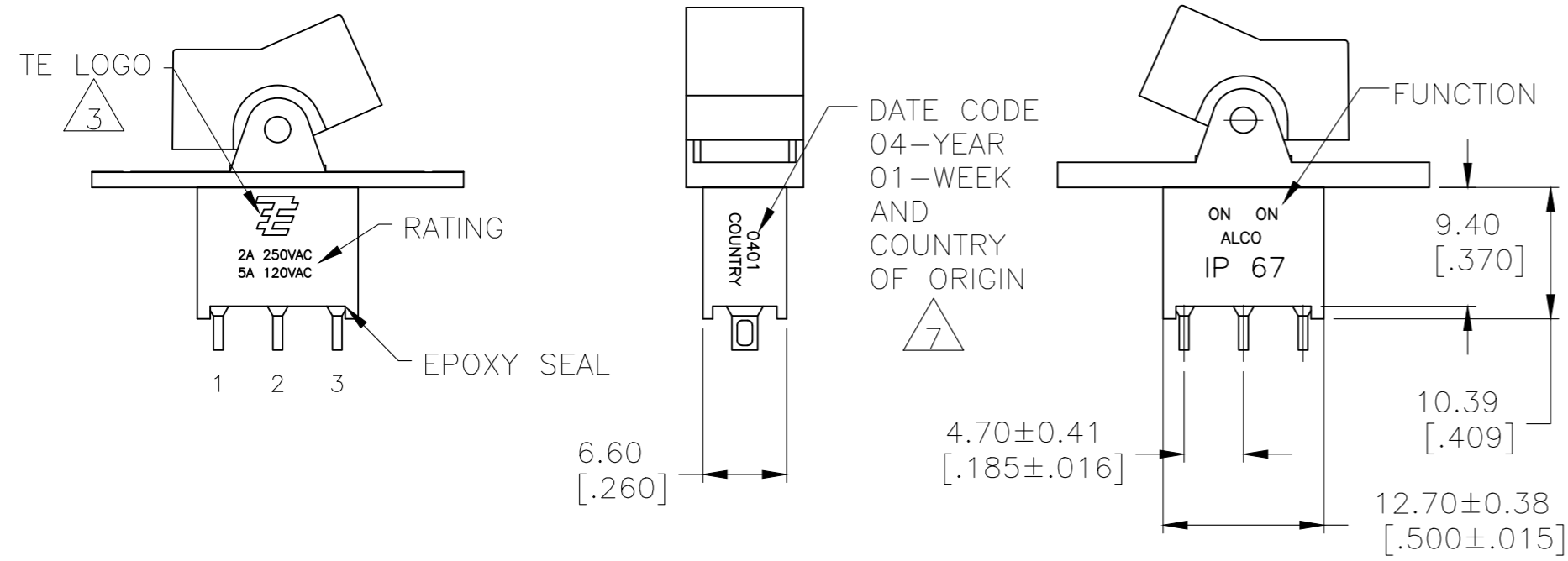


THIS DRAWING IS UNPUBLISHED. RELEASED FOR PUBLICATION
 © COPYRIGHT - By - ALL RIGHTS RESERVED.

REVISIONS					
P	LTR	DESCRIPTION	DATE	DWN	APVD
	A8	REVISED PER ECO-17-001761	10MAY2017	RK	AS



- 1 ALL MATERIALS AND FINISHES SHALL COMPLY WITH EU DIRECTIVE 2002/95/EC OF 27JAN2003 (ROHS).
- 2 G CONTACT OPTION CAN BE USED FOR SIGNAL OR POWER LEVEL SWITCHING. IF SWITCH IS USED AT LEVELS EXCEEDING .4VA @ 20V AC/DC, SWITCH IS RENDERED FOR POWER SWITCHING ONLY DUE TO ARC REMOVAL OF GOLD PLATING. RATING MARKED ON THE SWITCH IS 2A 250VAC, 5A 120VAC.
- 3 TE LOGO PER TEC-202-36.
- 5 SWITCHES MEET REQUIREMENTS OF IP67
- 6 PANEL MOUNT ACTUATOR PIVOT SUPPLIED WITH C, W, W4, Z & Z3 TERMINATIONS. PC MOUNT ACTUATOR PIVOT SUPPLIED WITH A, AV2, V3 & V4 TERMINATIONS
- 7 DATE CODE AND COUNTRY OF ORIGIN MAY APPEAR ON EITHER SIDE OF SWITCH.
- 8 ALL LOGO, RATING, DATE CODE, AND FUNCTION MARKINGS TO BE LASER MARKED.

FUNCTION CHART

FUNCTION			
01	ON	NONE	ON
03	ON	OFF	ON
05	(ON)	OFF	(ON)
07	ON	OFF	(ON)
08	ON	NONE	(ON)
TERMINALS CONNECTED	2-3	---	1-2

NONE: NO MECHANICAL POSITION
 OFF: MECHANICAL POSITION WITH NO ELECTRICAL CONNECTION
 (ON): MOMENTARY ACTION

SPECIFICATIONS

RATING, B CONTACTS	.4VA MAX @20V MAX. AC OR DC
RATING, G CONTACTS-SEE NOTE 2	.4VA MAX @20V MAX. AC OR DC OR 5A @120 VAC OR 28 VDC (RESISTIVE)
	2A @250 VAC (RESISTIVE)
RATING, Q CONTACTS	5A @120 VAC OR 28 VDC (RESISTIVE)
	2A @250 VAC (RESISTIVE)
ELECTRICAL LIFE	6,000 CYCLES AT RATED LOAD
CONTACT RESISTANCE	10 MILLIOHMS MAX INITIAL @ 2-4VDC, 100MA
INSULATION RESISTANCE	1,000 MEGOHMS MIN
DIELECTRIC WITHSTANDING VOLTAGE	1,000 V RMS AT SEA LEVEL
OPERATING TEMPRATURE	-30C TO 85C

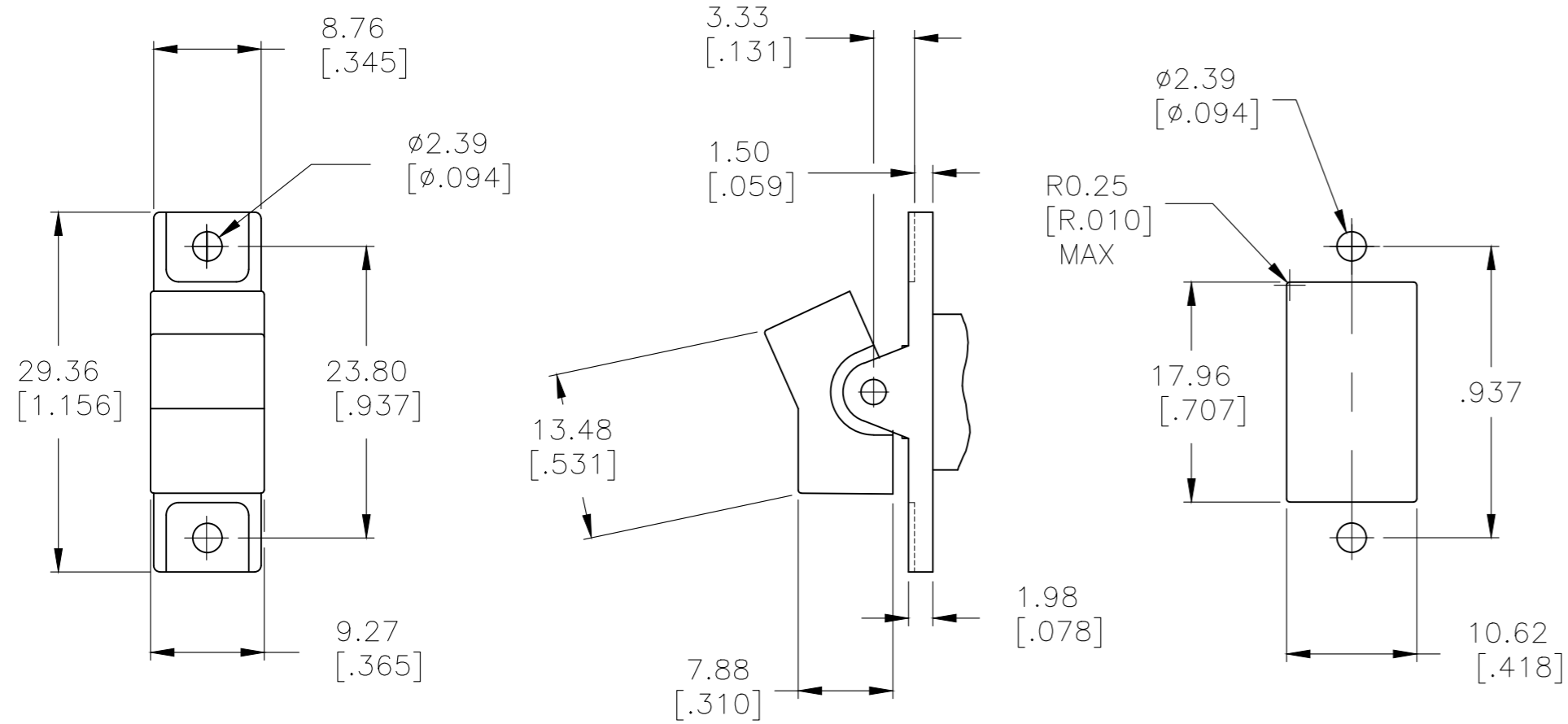
PART NUMBER SEQUENCE

MODEL	FUNCTION	TOGGLE	TERMINAL	CONTACT	ACTUATOR COLOR	ROHS
AE1						04
	01	J1	A	B	0 BLACK (STD)	
	03	J50	AV2	G	1 BROWN	
	05	J2	C	Q	2 RED	
	07	J60	V3		3 ORANGE	
	08		V4		4 YELLOW	
			W		5 GREEN	
			W4		6 BLUE	
			Z		8 GRAY	
			Z3		9 WHITE	

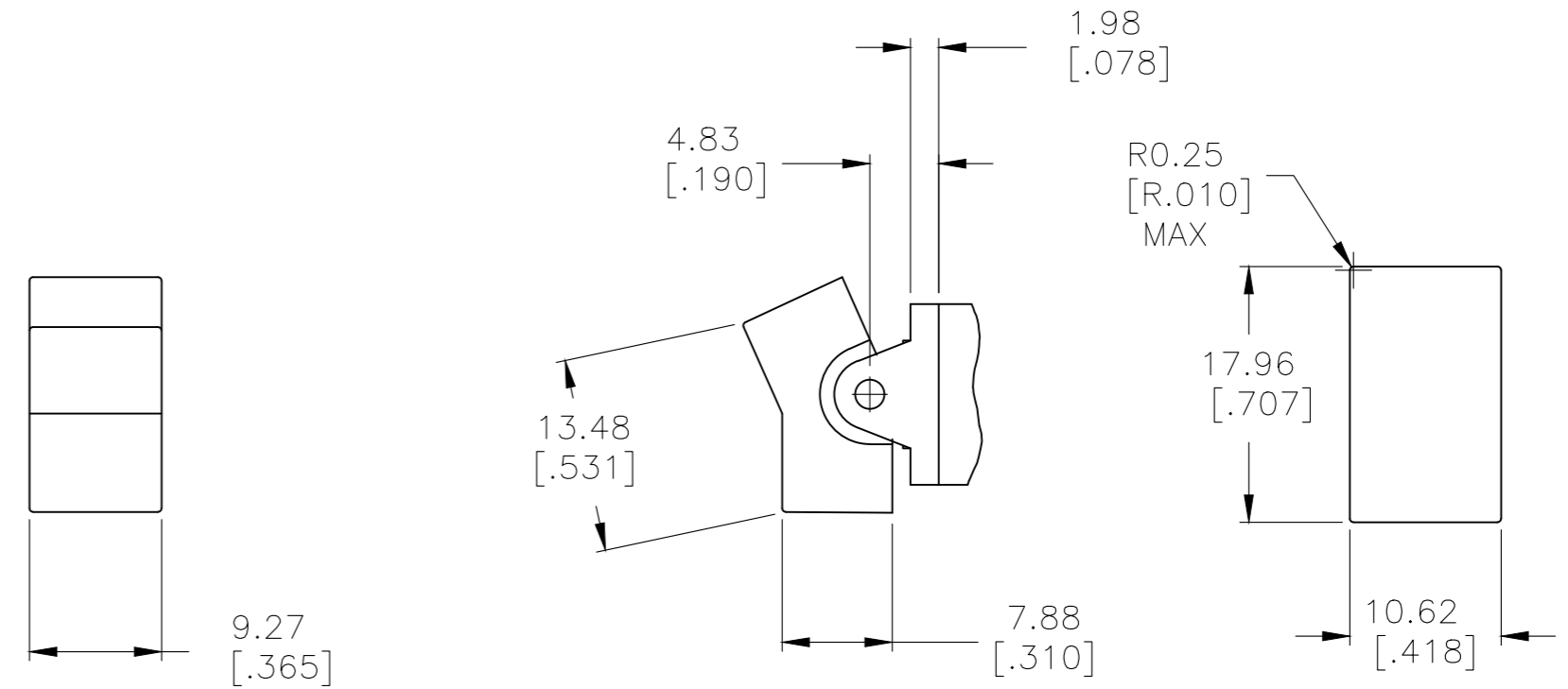
THIS DRAWING IS A CONTROLLED DOCUMENT.		DWN M.BINNER 06JAN05	TE Connectivity
DIMENSIONS: mm [INCHES]		CHK M.ZITTO 06JAN05	
TOLERANCES UNLESS OTHERWISE SPECIFIED: 0 PLC ± - 1 PLC ± - 2 PLC ± - 3 PLC ± .010 4 PLC ± - ANGLES ± 4°		APVD M.ZITTO 06JAN05	NAME GEMINI AE SERIES ROCKER SWITCH SINGLE POLE
MATERIAL		FINISH	SIZE A2
		WEIGHT	CAGE CODE 00779
			DRAWING NO C-1571988
			RESTRICTED TO
		CUSTOMER DRAWING	SCALE 2:1
			SHEET 1 of 5
			REV A8

THIS DRAWING IS UNPUBLISHED. RELEASED FOR PUBLICATION
 © COPYRIGHT - By - ALL RIGHTS RESERVED.

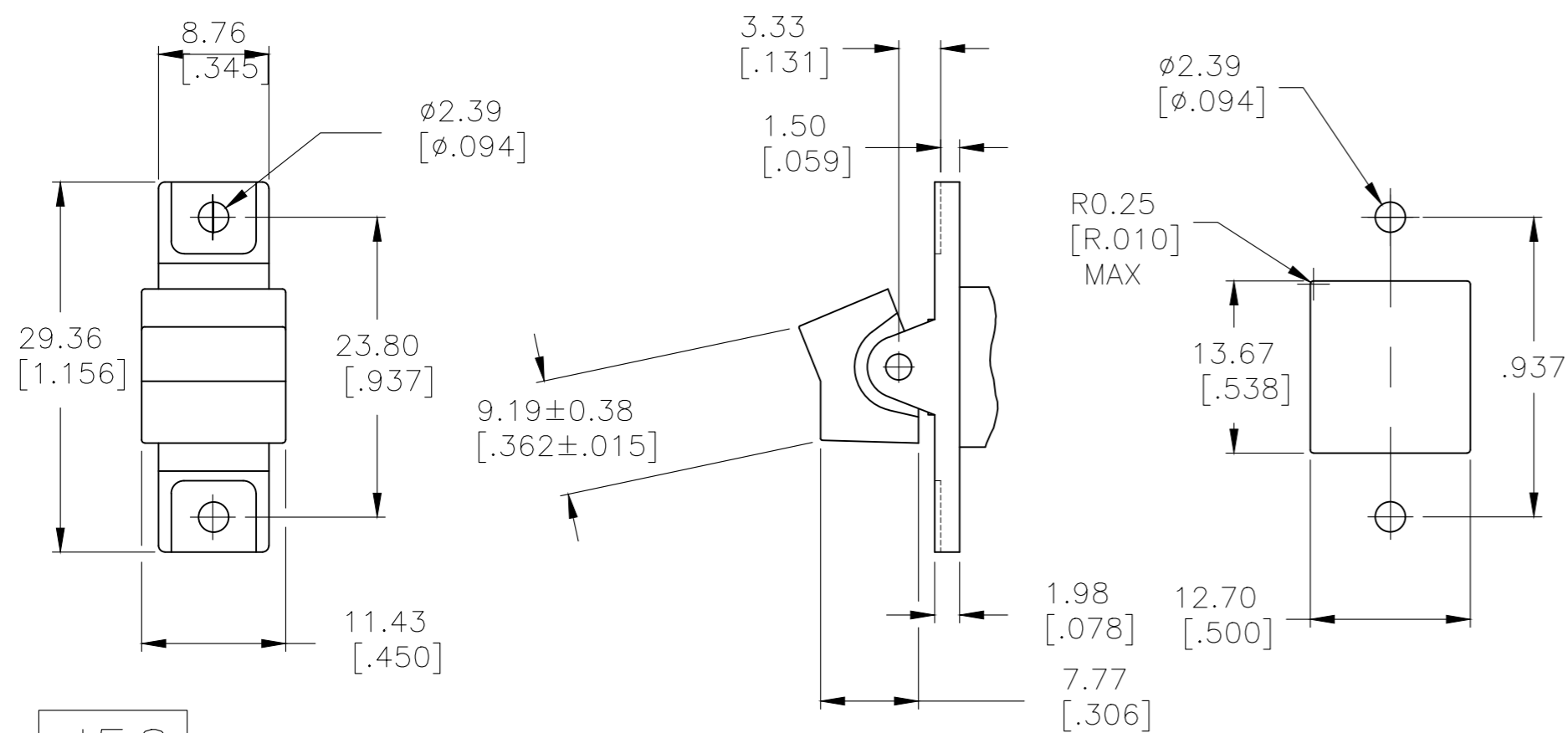
REVISIONS				
P	LTR	DESCRIPTION	DATE	APVD
-	-	SEE SHEET 1	-	-



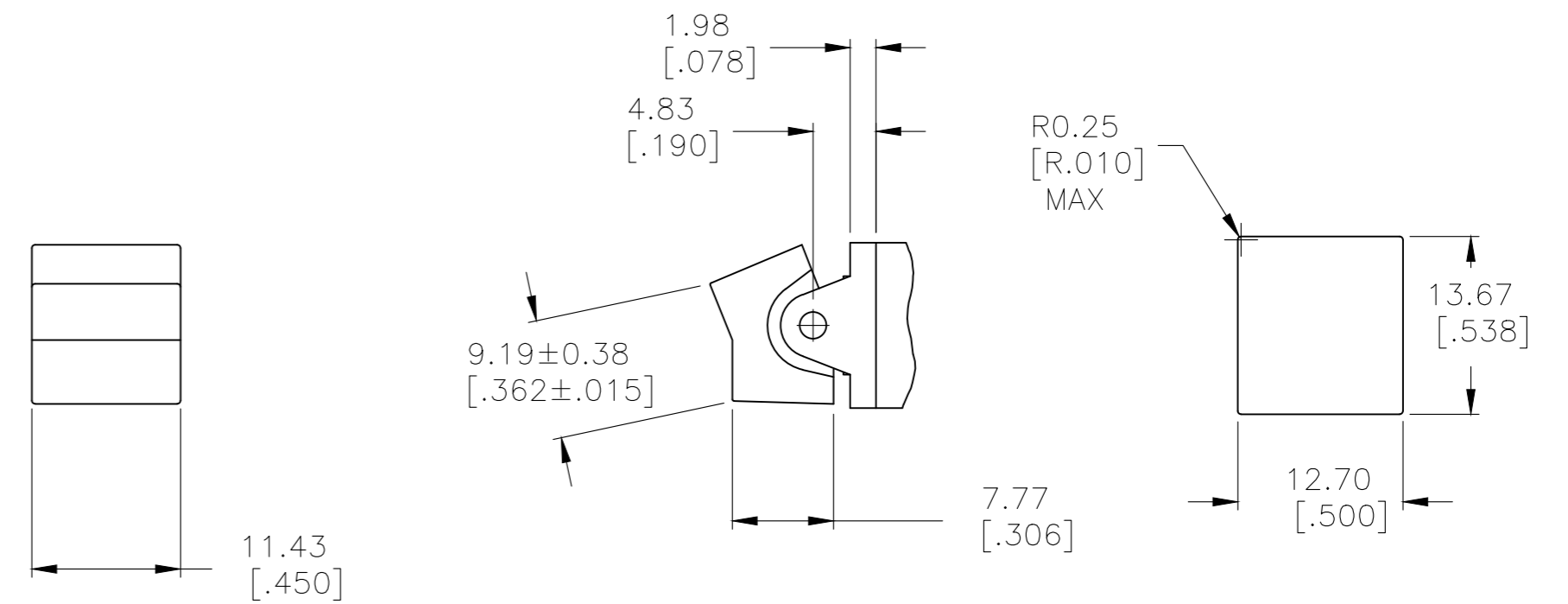
J1 SHOWN WITH PANEL MOUNT ACTUATOR PIVOT



J1 SHOWN WITH PC MOUNT ACTUATOR PIVOT



J50 SHOWN WITH PANEL MOUNT ACTUATOR PIVOT



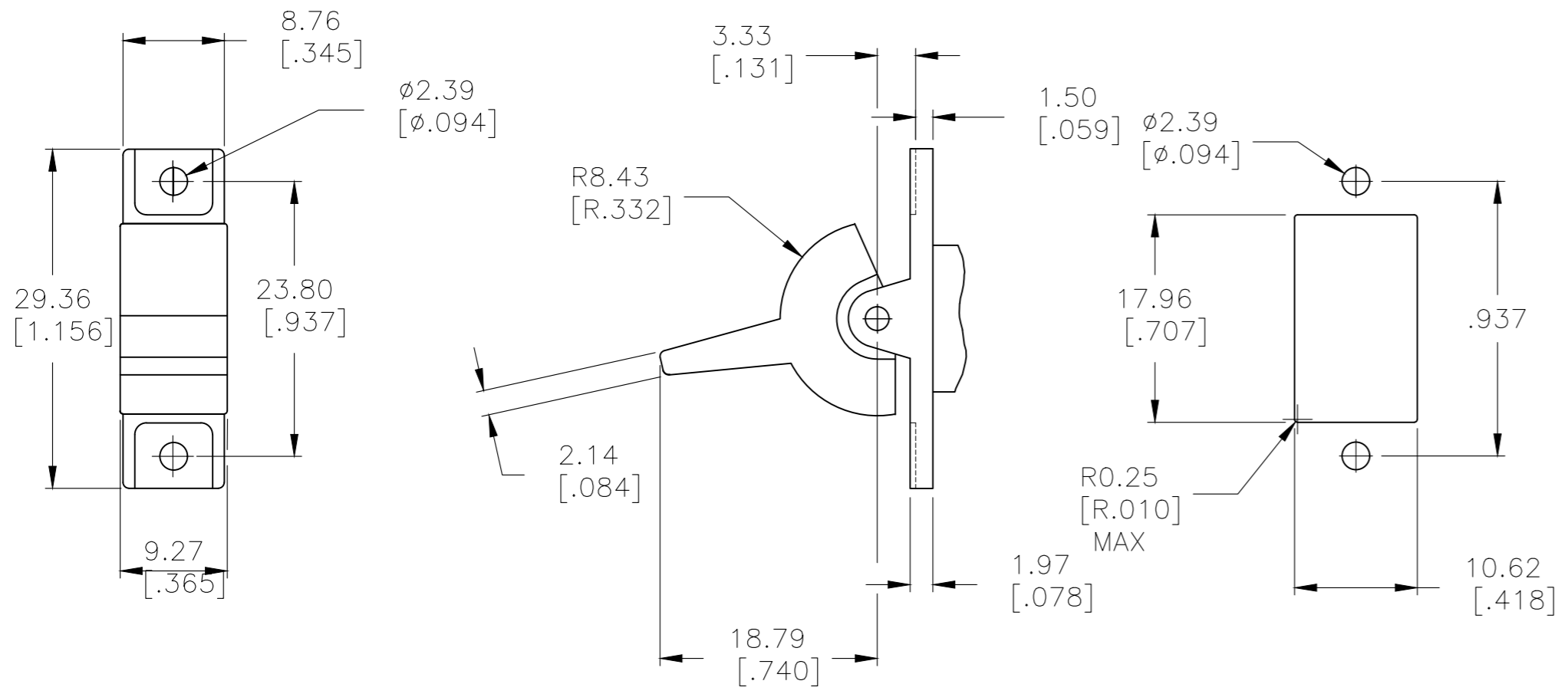
J50 SHOWN WITH PC MOUNT ACTUATOR PIVOT

1.52-3.17 [.060-.125]	15.75-15.87 [.620-.625]
1.19-1.50 [.047-.059]	15.72 [.619]
PANEL THICKNESS	
DIM "A"	

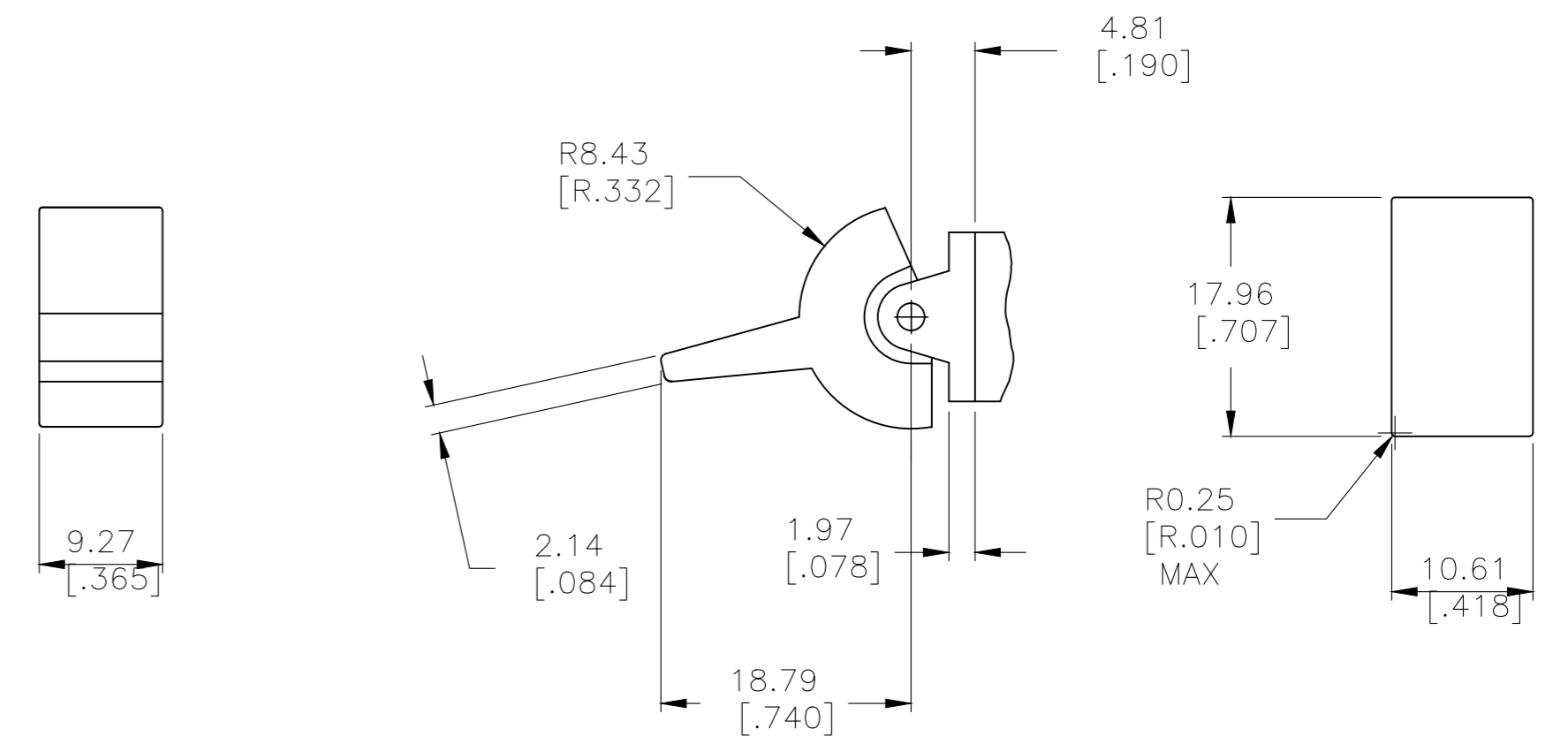
THIS DRAWING IS A CONTROLLED DOCUMENT.		DWN M.BINNER 06JAN05	TE Connectivity	
DIMENSIONS: mm [INCHES]		CHK M.ZITTO 06JAN05		
TOLERANCES UNLESS OTHERWISE SPECIFIED:		APVD M.ZITTO 06JAN05	NAME GEMINI AE SERIES ROCKER SWITCH SINGLE POLE	
0 PLC ± -		PRODUCT SPEC	SIZE CAGE CODE DRAWING NO RESTRICTED TO	
1 PLC ± -		APPLICATION SPEC	A2 00779 C-1571988	
2 PLC ± -		WEIGHT	SCALE 2:1 SHEET 2 OF 5 REV A8	
3 PLC ± .010		CUSTOMER DRAWING		
4 PLC ± -				
ANGLES ± 4°				
FINISH				

THIS DRAWING IS UNPUBLISHED. RELEASED FOR PUBLICATION
 © COPYRIGHT - By - ALL RIGHTS RESERVED.

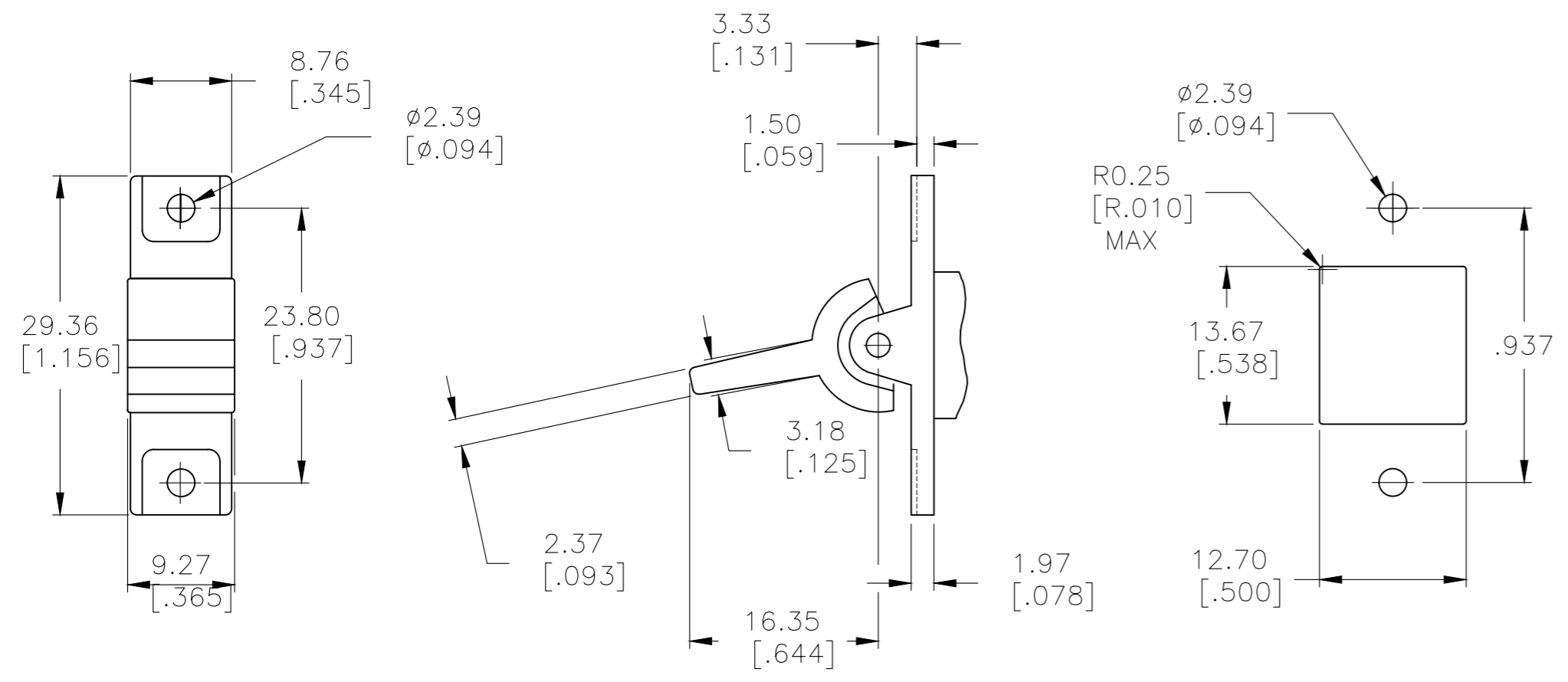
REVISIONS					
P	LTR	DESCRIPTION	DATE	DWN	APVD
-	-	SEE SHEET 1	-	-	-



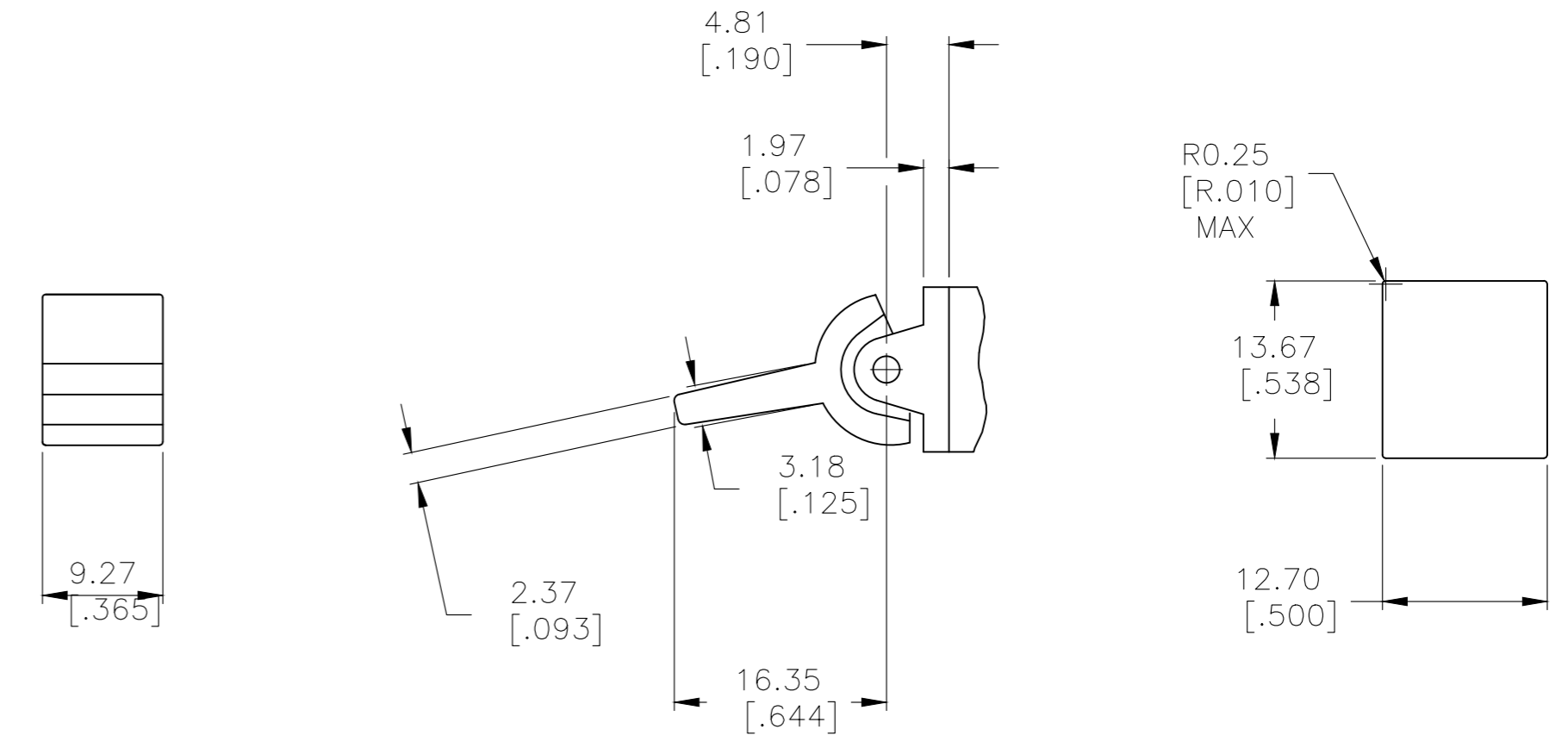
J2 SHOWN WITH PANEL MOUNT ACTUATOR PIVOT



J2 SHOWN WITH PC MOUNT ACTUATOR PIVOT



J60 SHOWN WITH PANEL MOUNT ACTUATOR PIVOT



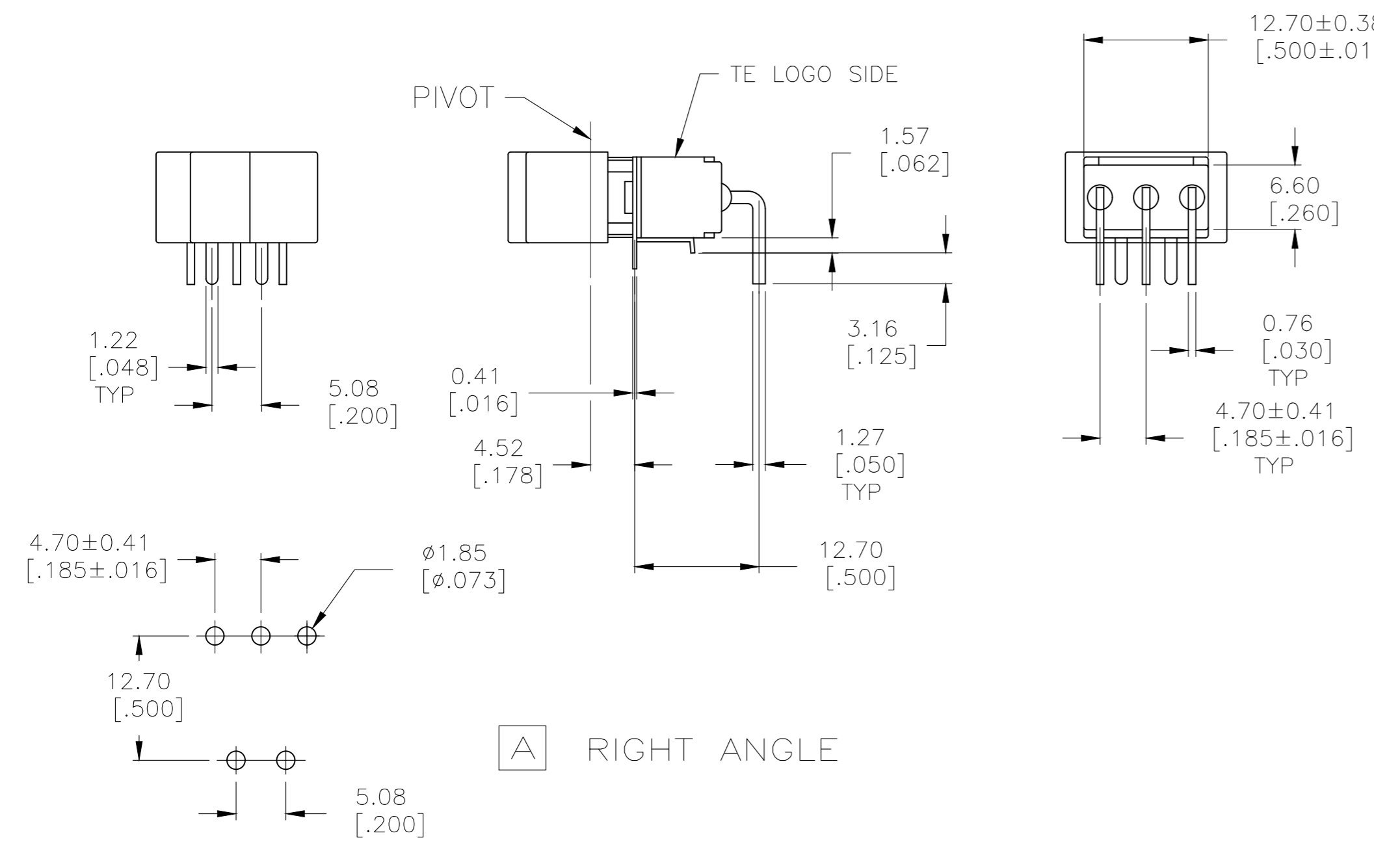
J60 SHOWN WITH PC MOUNT ACTUATOR PIVOT

1.52-3.17 [.060-.125]	15.75-15.87 [.620-.625]
1.19-1.50 [.047-.059]	15.72 [.619]
PANEL THICKNESS	DIM "A"

THIS DRAWING IS A CONTROLLED DOCUMENT.		DWN M.BINNER 06JAN05		TE Connectivity	
DIMENSIONS: mm [INCHES]		CHK M.ZITTO 06JAN05		NAME GEMINI AE SERIES ROCKER SWITCH SINGLE POLE	
TOLERANCES UNLESS OTHERWISE SPECIFIED:		APVD M.ZITTO 06JAN05	PRODUCT SPEC		
0 PLC ± -		APPLICATION SPEC			
1 PLC ± -		WEIGHT			
2 PLC ± -		SCALE 2:1			
3 PLC ± .010		SHEET 3 OF 5			
4 PLC ± -		REV A8			
ANGLES ± 4°		CUSTOMER DRAWING			
FINISH		RESTRICTED TO			

THIS DRAWING IS UNPUBLISHED. RELEASED FOR PUBLICATION
 © COPYRIGHT - By - ALL RIGHTS RESERVED.

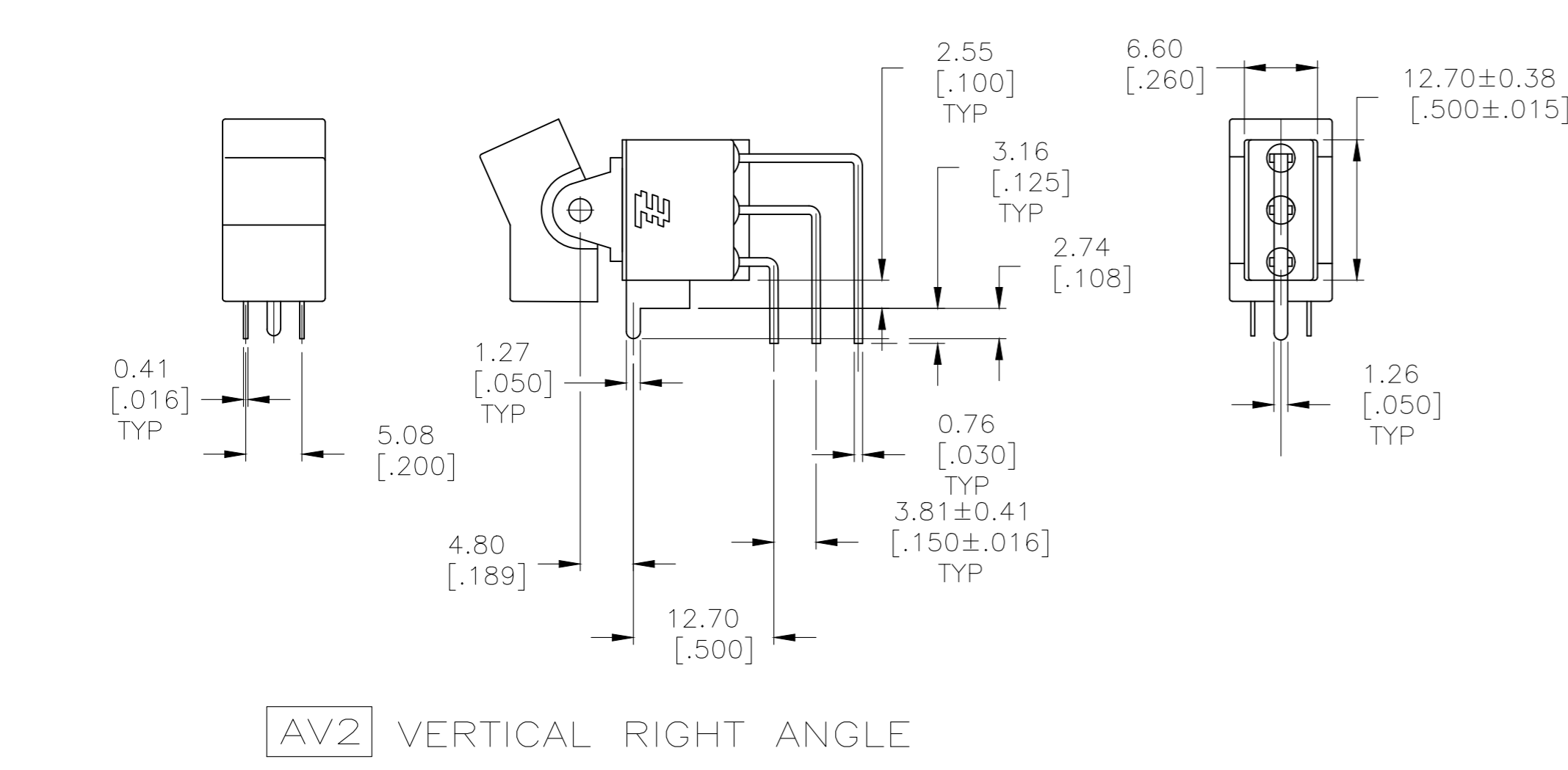
REVISIONS					
P	LTR	DESCRIPTION	DATE	DWN	APVD
-	-	SEE SHEET 1	-	-	-



V3 V4

VERTICAL SUPPORT BRACKET

OPTION CODE	DIM "A"
V3	11.68 [.460]
V4	16.00 [.630]

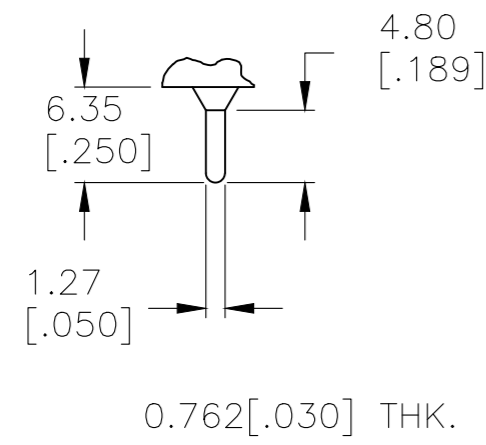


AV2 VERTICAL RIGHT ANGLE

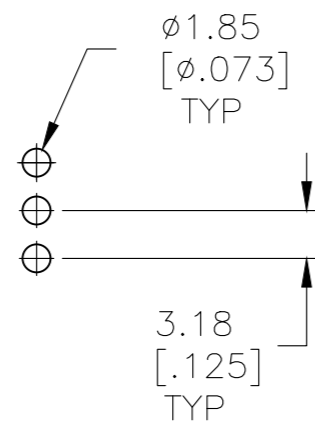
THIS DRAWING IS A CONTROLLED DOCUMENT.		DWN M.BINNER 06JAN05	TE Connectivity	
DIMENSIONS: mm [INCHES]		CHK M.ZITTO 06JAN05		
TOLERANCES UNLESS OTHERWISE SPECIFIED:		APVD M.ZITTO 06JAN05	NAME GEMINI AE SERIES ROCKER SWITCH SINGLE POLE	
0 PLC ± -	1 PLC ± -	PRODUCT SPEC -	SIZE A2	CAGE CODE 00779
2 PLC ± -	3 PLC ± .010	APPLICATION SPEC -	DRAWING NO C-1571988	RESTRICTED TO -
4 PLC ± -	ANGLES ± 4°	WEIGHT -	SCALE 2:1	SHEET 4 OF 5
MATERIAL -	FINISH -	CUSTOMER DRAWING	REV A8	

THIS DRAWING IS UNPUBLISHED. RELEASED FOR PUBLICATION
 © COPYRIGHT - By - ALL RIGHTS RESERVED.

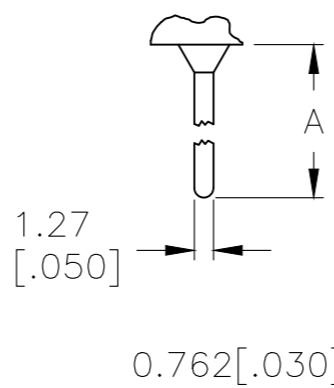
REVISIONS				
P	LTR	DESCRIPTION	DATE	APVD
-	-	SEE SHEET 1	-	-



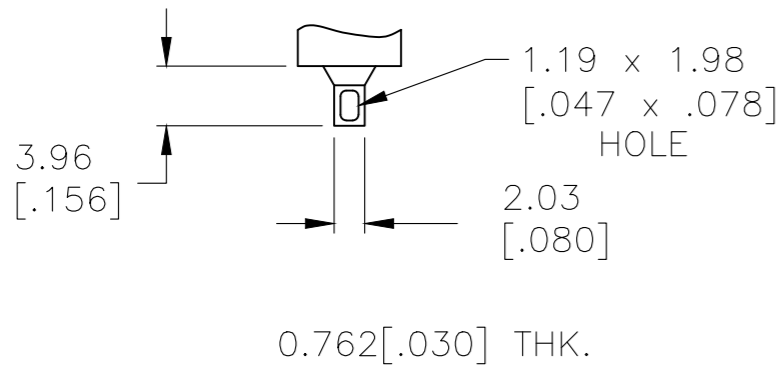
C PRINTED CIRCUIT



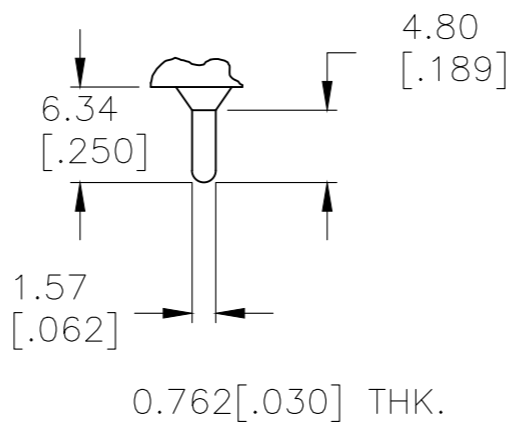
W **W4** WIRE WRAP



OPTION	DIM A
W	18.69 [.736]
W4	26.97 [1.062]



Z WIRE LUG



Z3 QUICK CONNECT

MATERIALS CHART

COMPONENT NAME	BASE MATERIAL	FINISH
CASE & BUSHING	NYLON, RED, UL94 V-0	
O-RING	PVC, BLACK	
B TERMINALS & CONTACTS	COPPER	GOLD NICKEL
G TERMINALS & CONTACTS	COPPER	GOLD OVER SILVER
Q TERMINALS & CONTACTS	COPPER	SILVER
ACTUATOR	PHENOLIC, BLACK, UL94 V-1	
ACTUATOR LEVER	ZINC ALLOY	NICKEL
SPRING	MUSIC WIRE	
PIVOT PIN	STEEL	NICKEL
MOUNTING BRACKET	NYLON, UL94 V-1	
ROCKER CAP	NYLON, UL94 V-1	
TERMINAL SEAL	EPOXY, UL94V-0	
MARKING	INK, BLACK	
SUPPORT BRACKET	BRASS	TIN
RETAINER	STAINLESS STEEL	

OBSOLETE	AE101J1CB004	1-1571988-8
PRELIMINARY	AE101J3V31Q004	1-1571988-7
OBSOLETE	AE108J60V3B004	1-1571988-6
	AE108J1ZQ004	1-1571988-5
	AE107J1ZQ004	1-1571988-4
	AE107J1AQ004	1-1571988-3
	AE105J60V3B004	1-1571988-2
	AE105J1ZB004	1-1571988-1
	AE105J1V3B004	1-1571988-0
	AE105J1AQ004	1571988-9
	AE103J60V3Q204	1571988-8
	AE103J50V3B004	1571988-7
	AE101J1V3Q004	1571988-6
	AE101J1V3B004	1571988-5
	AE101J1AV2Q004	1571988-4
	AE101J1AQ404	1571988-3
	AE101J1AQ004	1571988-2
AE101J1AB004	1571988-1	
ALCO P/N	TE P/N	

THIS DRAWING IS A CONTROLLED DOCUMENT.

DWN	M.BINNER	06JAN05
CHK	M.ZITTO	06JAN05
APVD	M.ZITTO	06JAN05

TE Connectivity

GEMINI AE SERIES ROCKER SWITCH SINGLE POLE

SIZE	A2	CAGE CODE	00779	DRAWING NO	1571988	RESTRICTED TO	-
SCALE	2:1	SHEET	5 of 5	REV	A8	CUSTOMER DRAWING	

1571988

B

A

单击下面可查看定价，库存，交付和生命周期等信息

[>>TE Connectivity\(泰科\)](#)