

THIS DRAWING IS UNPUBLISHED
VERTRAULICHE UNVERÖFFENTLICHE ZEICHNUNG

RELEASE FOR PUBLIKATION
FREI FUER VERÖFFENTLICHUNG

MATED WITH:
PASSEND ZU:

LOC AI DIST -

REVISIONS
ÄNDERUNGEN

© COPYRIGHT 2000

BY AMP INCORPORATED

ALL RIGHTS RESERVED
ALLE RECHTE VORBEHALTEN

1104700

PROJEKT NR.
EGGMN04419

P LTR

B3

ECR-17-014051

DESCRIPTION
BESCHREIBUNG

DATE

DWN

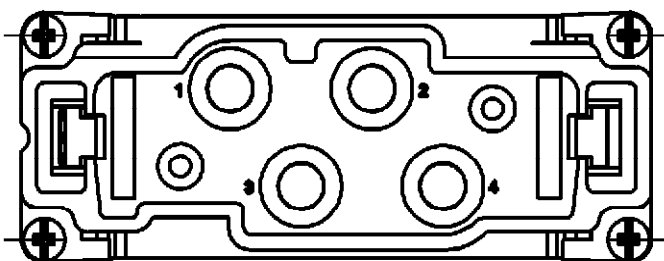
APVD

05APR18

SG

MKO

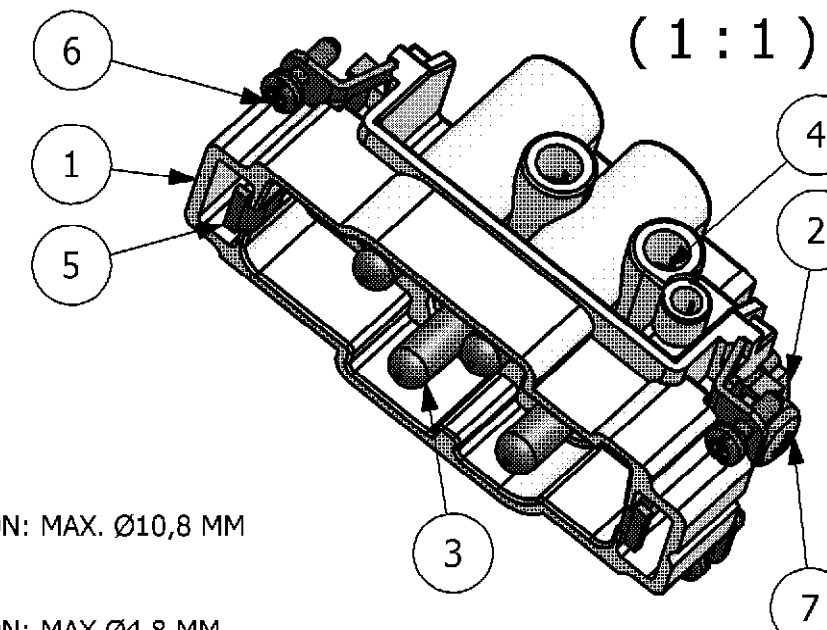
CONTACT ARRANGEMENT VIEW FROM CONECTING SIDE



A (2:1)



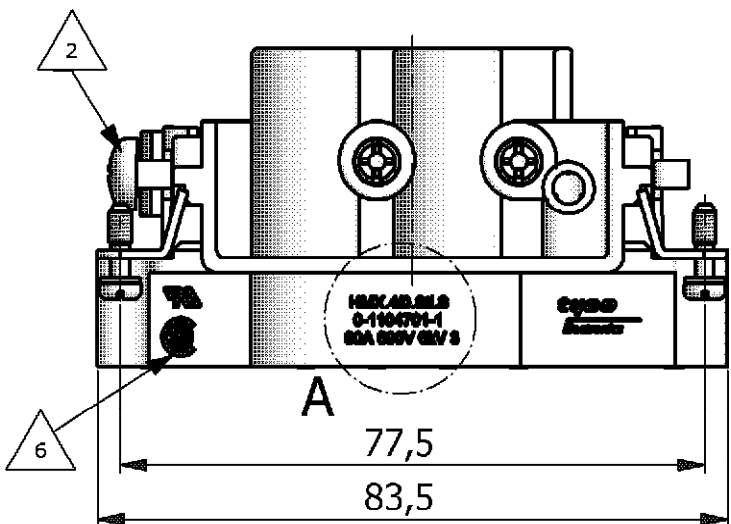
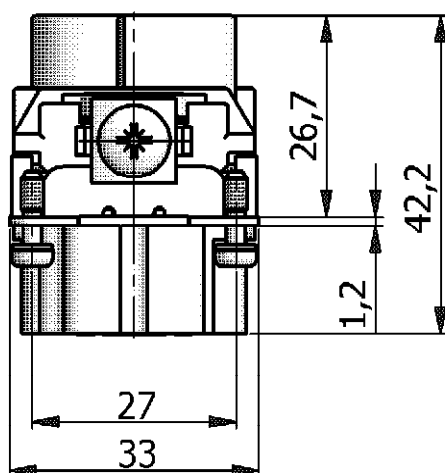
0-1 AS SHOWN - **SUPERSEDED BY T2100042101-000**
ORDERING TEXT: HMX.4/0.STI.S



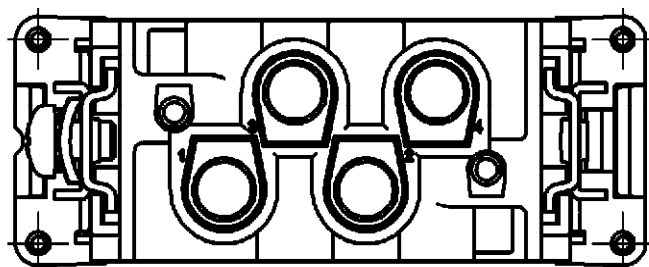
(1:1)

NOTES

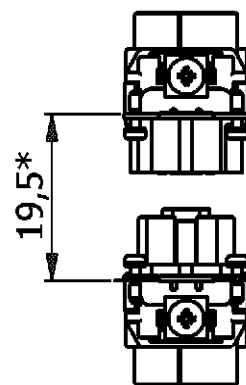
- 1 POWER CONTACT: 1 TO 4
OUTER DIMENSIONS OF INSULATION: MAX. Ø10,8 MM
- 2 SIGNAL CONTACT: 11 and 12
OUTER DIMENSIONS OF INSULATION: MAX.Ø4,8 MM
- 3 GROUNDING CONTACT:
- 4 SUITABLE HOOD SIZE 6: SERIES HB; HD; EMV AND HIP
- 5 STANDARDS:
DIN EN 61984; DIN EN 60664-1
- 6 UL; CSA AUTHORISATION
- 7 PACKAGING:
5 PIECES IN A CARTON



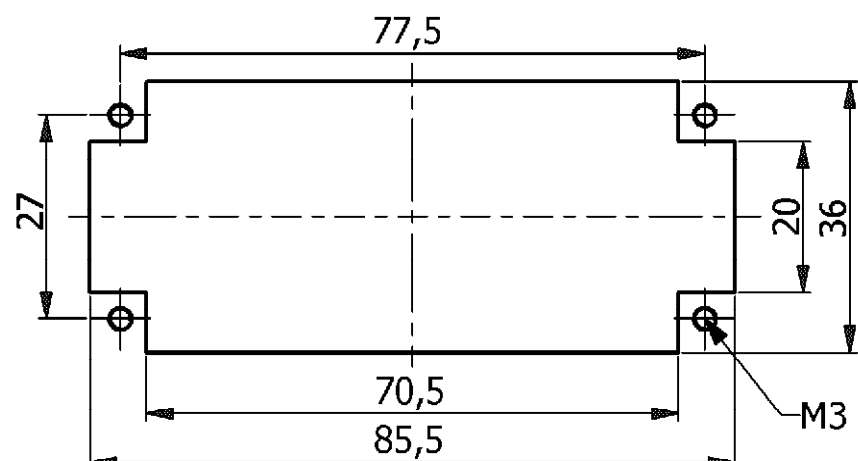
CONTACT ARRANGEMENT VIEW FROM TERMINATION SIDE



* DISTANCE FOR GUARANTEED CONTACT MAX. 21 mm



PANET CUT-OUT CONTACT INSERT WHEN USED WITHOUT HOUSING



QTY.	DESCRIPTION	MATERIAL	SURFACE	COLOR	NOTE	ITEM
1	SCREW	STEEL	NICKEL PLATED	BLUE	DIN EN ISO 1207-M5X8	7
4	FIXING SCREW	STEEL	NICKEL PLATED	BLUE	M3X10,5	6
2	PIN GROUNDING CONTACT	BRASS	NICKEL PLATED	BLUE	-	5
4	THREAD PIN	STEEL	NICKEL PLATED	BLUE	-	4
4	PIN CONTACT	BRASS	SILVER PLATED	BLUE	-	3
1	CLAMP TAB	STEEL	NICKEL PLATED	BLUE	---	2
1	MALE INSERT	PBT-GF30	-	LIGHT GREY	-	1

PARTS LIST

<small>THIS DRAWING IS A CONTROLLED DOCUMENT FOR AMP INCORPORATED. IT IS SUBJECT TO CHANGE AND THE CONTROLLING ENGINEERING ORGANIZATION SHOULD BE CONTACTED FOR THE LATEST REVISION. DIESSES ZEICHNUNGSDOKUMENT WIRD DURCH AMP INCORPORATED KONTROLLIERT. ÄNDERUNGEN, DIE DEN TECHNISCHEN FORTSCHRITT DIENEN, SIND VORBEHALTEN. DEN JEWELIS LETZTGÜLTIGEN ÄNDERUNGSSTAND ERFAHREN SIE AUF ANFRAGE.</small>		DWN	12.07.2005	
DIMENSIONS: DIMENSIONEN: mm		CHK	12.07.2005	
<small>TOLERANCES UNLESS OTHERWISE SPECIFIED: ALLGEMEINTOLERANZEN</small> n. ISO 8015 - # n. ISO 2768 - mH-E # n. DIN 16901- # 0 PLC # 1 PLC # 2 PLC # 3 PLC # ANGLES / WINKEL #		T. SCHNURPFEIL		NAME
		APVD	-	MALE INSERT HMX.4/0.STI.S
MATERIAL		PRODUCT SPEC. PRODUKTSPEZ.	108-74058	SIZE
FINISH / OBERFLAECHE / FARBE		APPLICATION SPEC. VERARBEITUNGSSPEZ.	114-74058	CAGE CODE
WEIGHT GEWICHT		0,118 KG	A3	DRAWING NO ZEICHNUNGS-NR.
CUSTOMER DRAWING / KUNDENZEICHNUNG		SCALE MASSSTAB	1:1	RESTRICTED TO NUR FUER
		SHEET BLATT	1	OF VON
		REV.	B3	

V:\amp\p02\data\Prod_Eng\30-66\hmk\Erz\hmx_4_2011\04701.dwg

单击下面可查看定价，库存，交付和生命周期等信息

[>>TE Connectivity\(泰科\)](#)