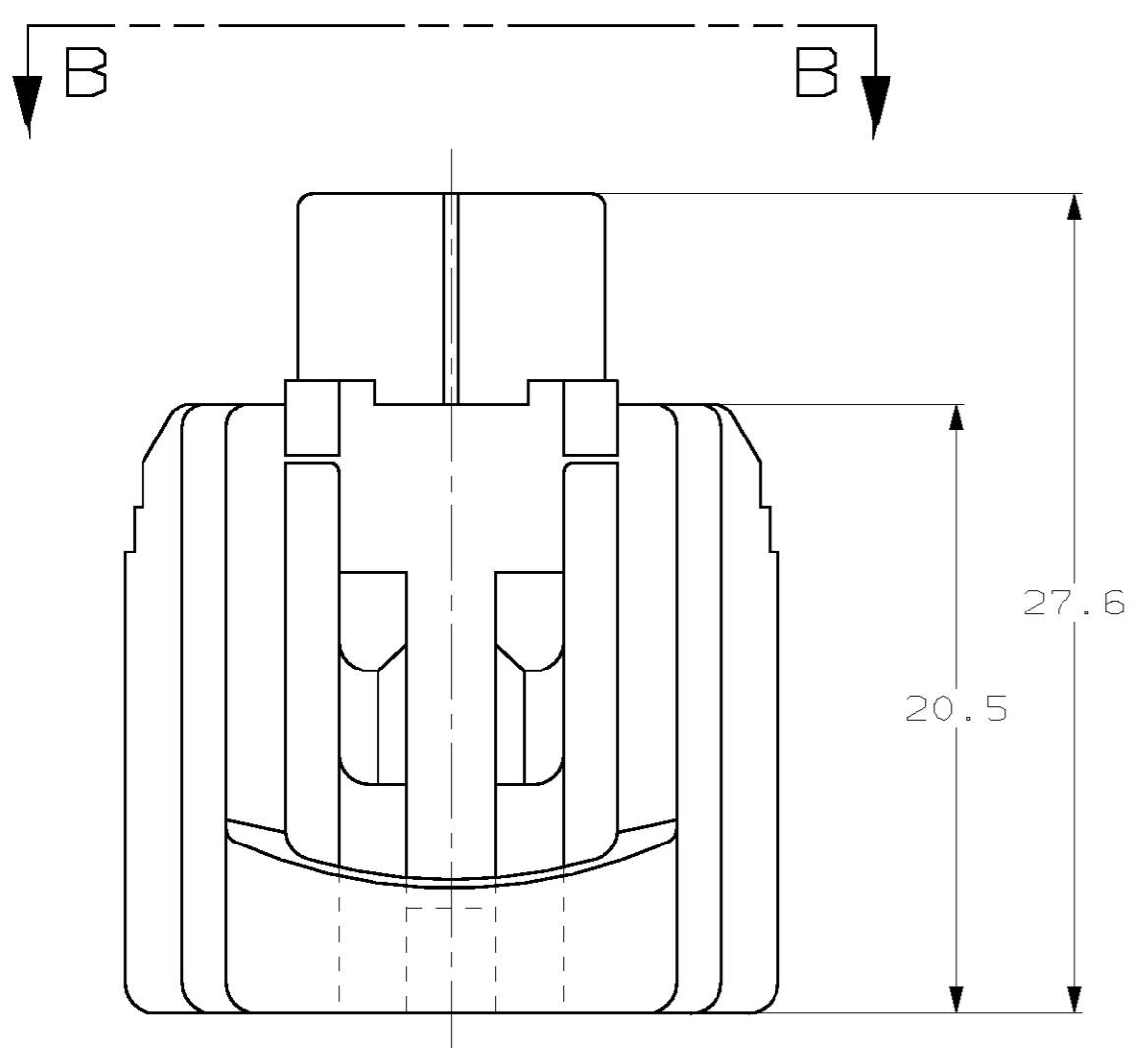
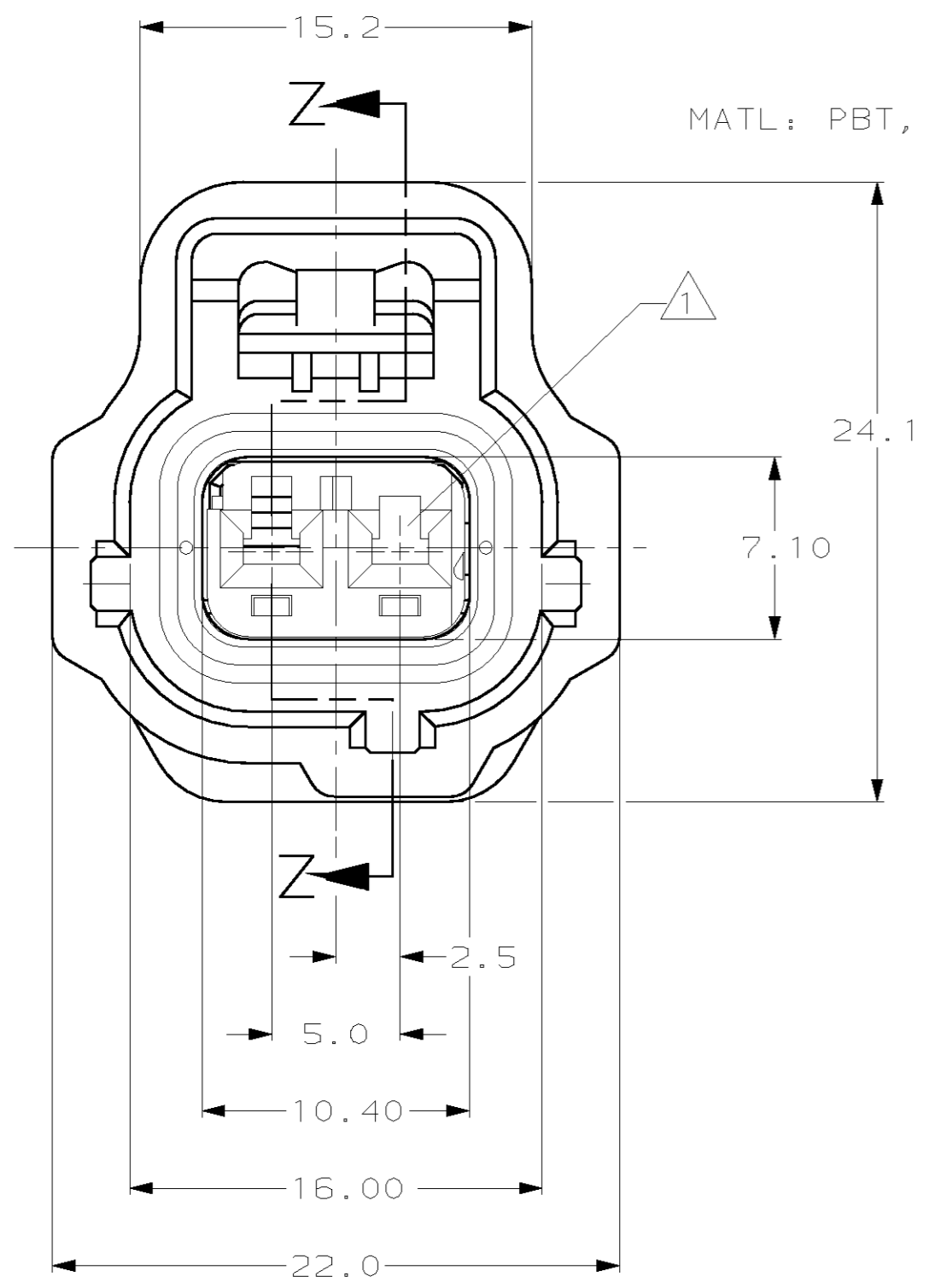


THIS DRAWING IS UNPUBLISHED. RELEASED FOR PUBLICATION .19
 © COPYRIGHT 19 BY AMP INCORPORATED. ALL RIGHTS RESERVED.

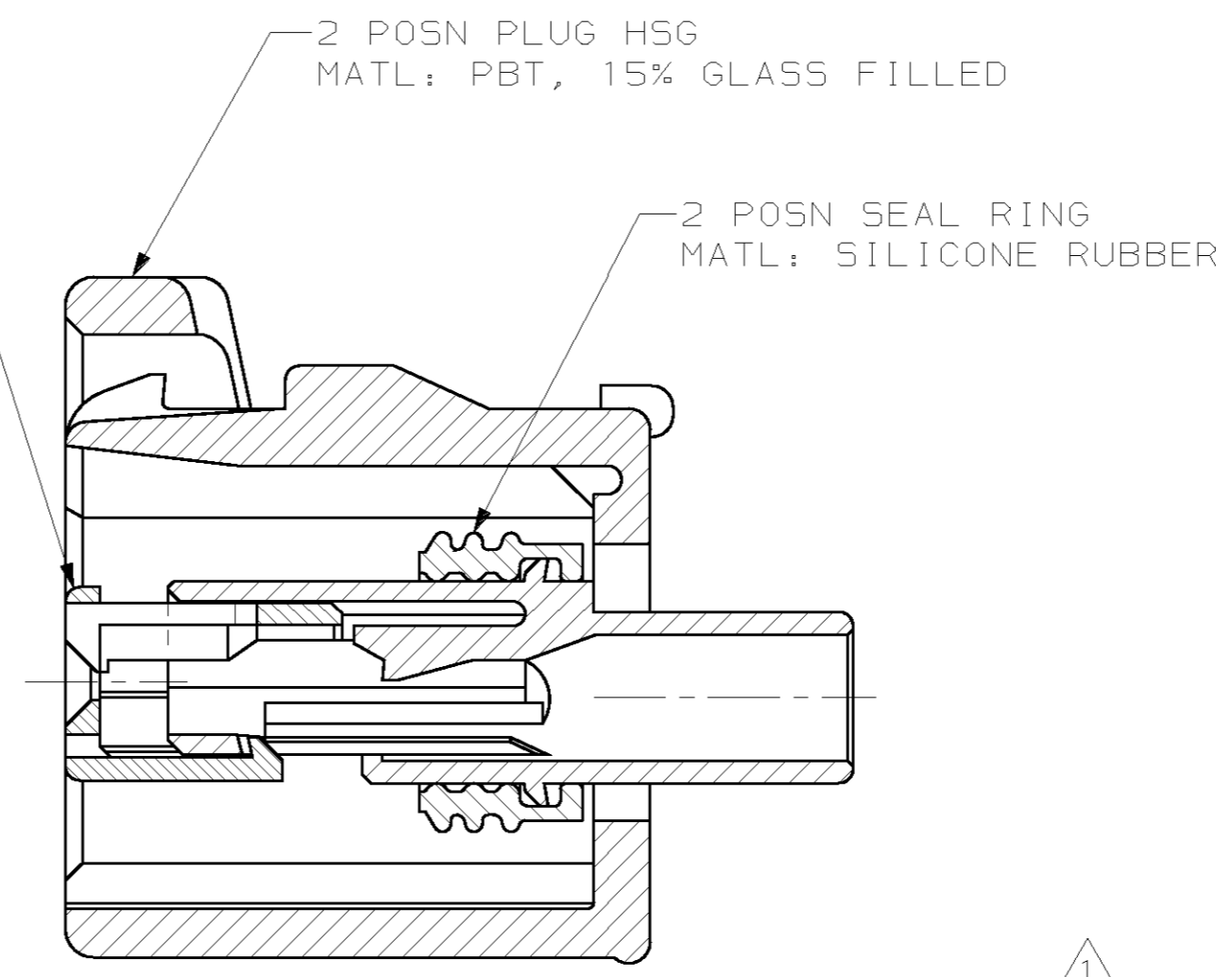
LOC	DIST	REVISIONS					
		P	LTR	DESCRIPTION	DATE	DWN	APVD
G	16			RELEASED	05/25/95	KW	JK
				REV PER ECN 0K50-0003-96	08/14/96	KW	JK
				REV PER ECN 0K20-0037-97	11/05/97	KL	JK
				REV PER EC# 0K40-0140-00	7-11-00	PC	GI



NOTES:
 ① CIRCUIT #2 IS BLOCKED.

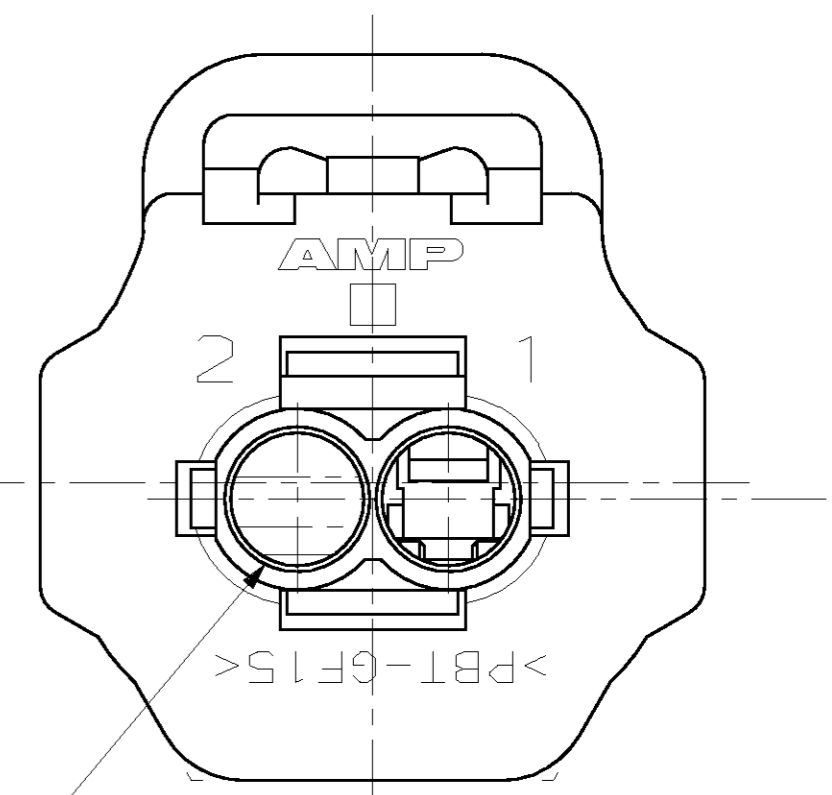


2 POSN DLP
 MATL: PBT, 15% GLASS FILLED



SECTION Z-Z
 SCALE 4:1

① BLOCKED CIRCUIT



VIEW B-B

BLACK	184116-2
BROWN	184116-1
COLOR	PART NO

<small>THIS DRAWING IS A CONTROLLED DOCUMENT FOR AMP INCORPORATED. IT IS SUBJECT TO CHANGE AND THE CONTROLLING ENGINEERING ORGANIZATION SHOULD BE CONTACTED FOR THE LATEST REVISION.</small>		DWN	K. WISE	05/25/95	AMP Incorporated Harrisburg, PA 17105-3608
DIMENSIONS: mm		CHK	J. KUNKLE	06/05/95	
		APVD	J. KUNKLE	06/05/95	
TOLERANCES UNLESS OTHERWISE SPECIFIED: 0 PLC ±- 1 PLC ±0.3 2 PLC ±0.15 3 PLC ±- 4 PLC ±- ANGLES ±- FINISH -		PRODUCT SPEC			
MATERIAL		APPLICATION SPEC			NAME
		WEIGHT			1 X 2B PLG ASY KEY H-C3
		CUSTOMER DRAWING			SIZE
					A2
					CAGE CODE
					00779
					DRAWING NO
					C-184116
					SCALE
					4:1
					SHEET
					1 OF
					REV
					C

184116

单击下面可查看定价，库存，交付和生命周期等信息

[>>TE Connectivity\(泰科\)](#)