

THIS DRAWING IS UNPUBLISHED.

RELEASED FOR PUBLICATION

ALL RIGHTS RESERVED.

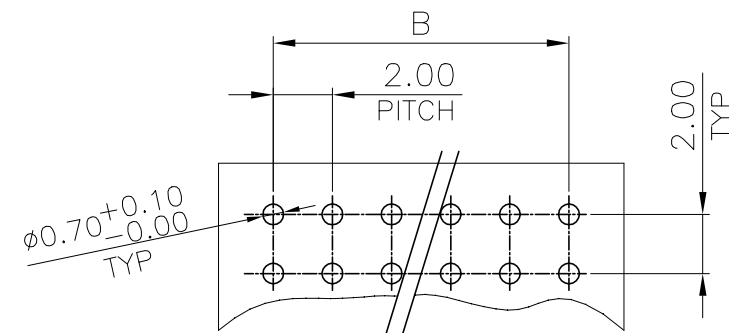
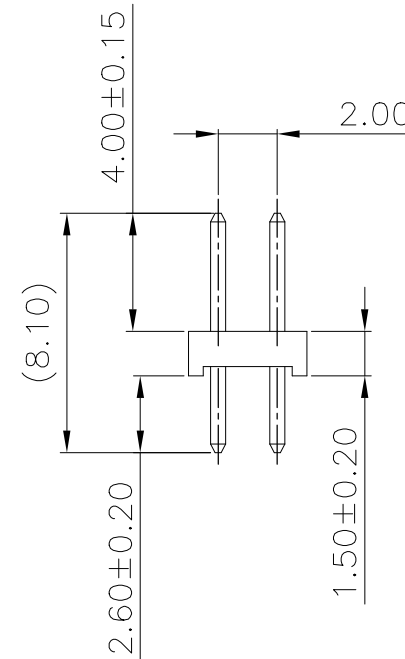
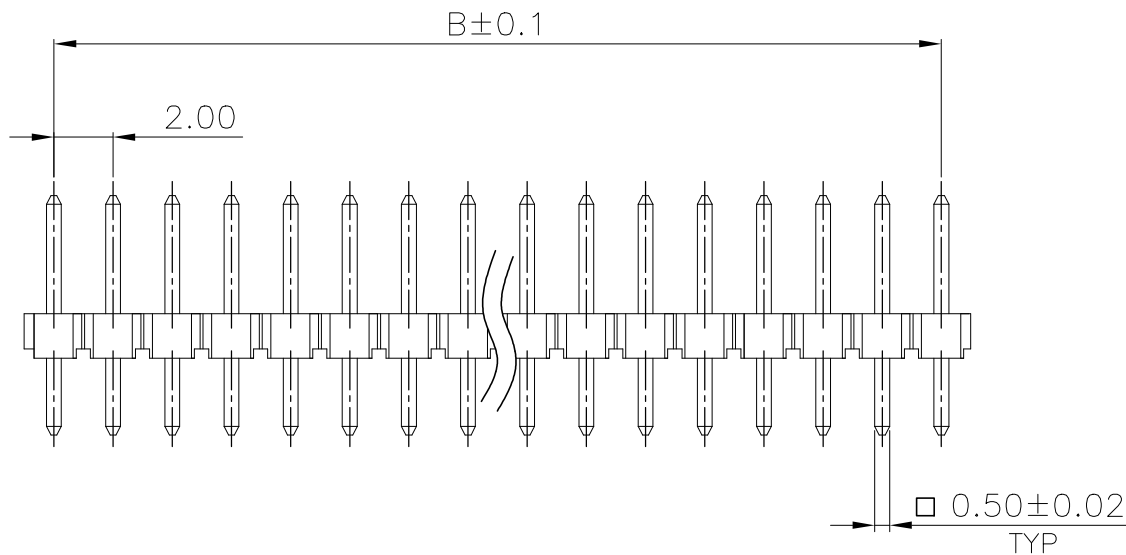
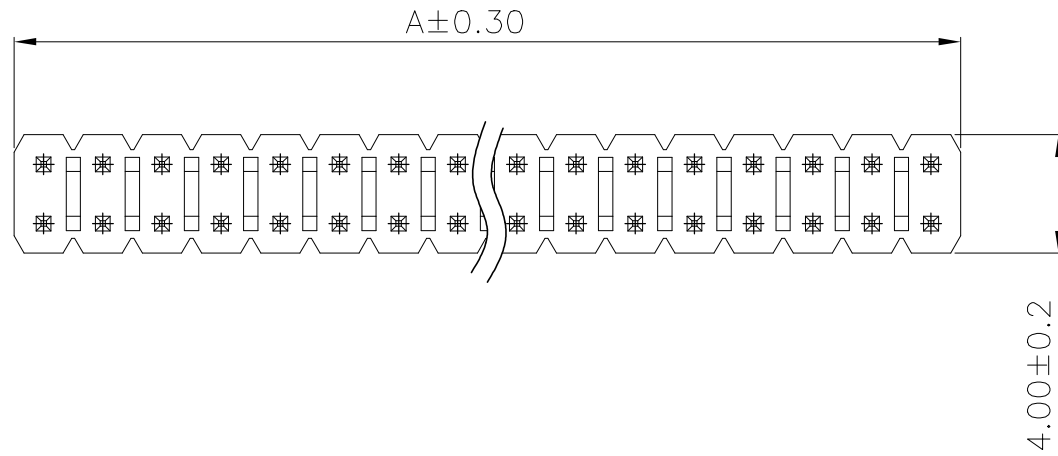
© COPYRIGHT - TE Connectivity Ltd.

REVISIONS

P	LTR	DESCRIPTION	DATE	DWN	APVD
	C3	OBSOLETE 9-1734508-2 AND 9-1734508-4	18OCT19	AY	PS

NOTE :

- MATERIAL :
HOUSING : PA6T WITH 30% GF, UL94V-0, BLACK COLOR.
CONTACT : BRASS.
- FINISH :
CONTACT: 0.2um [8μ"] MIN. GOLD PLATED ON CONTACT AREA
2.54um [100μ"] MIN. MATTE TIN PLATED ON SOLDER TAIL,
1.27um [50μ"] MIN. NICKEL UNDERPLATED OVER ALL
- APPLICATION :
SOLDERTAIL LENGTH 2.6 FOR PCB THICKNESS 1.6±0.1
- WAVE SOLDER CAPABLE TO 265°C PER TE SPEC 109-202, CONDITION B.



RECOMMENDED PCB LAYOUT
TOLERANCE: ±0.05; THICKNESS: 1.0~1.6MM

2	10.00	8.00	10	1-	-1
80.00	78.00	80	8-	-0	
78.00	76.00	78	7-	-8	
76.00	74.00	76	7	-6	
74.00	72.00	74	7-	-4	
72.00	70.00	72	7	-2	
70.00	68.00	70	7-	-0	
68.00	66.00	68	6-	-8	
66.00	64.00	66	6	-6	
64.00	62.00	64	6-	-4	
62.00	60.00	62	6	-2	
60.00	58.00	60	6-	-0	
58.00	56.00	58	5-	-8	
56.00	54.00	56	5	-6	
54.00	52.00	54	5-	-4	
52.00	50.00	52	5	-2	
50.00	48.00	50	5-	-0	
48.00	46.00	48	4-	-8	
46.00	44.00	46	4-	-6	
44.00	42.00	44	4	-4	
42.00	40.00	42	4-	-2	
40.00	38.00	40	4-	-0	
38.00	36.00	38	3-	-8	
36.00	34.00	36	3-	-6	
34.00	32.00	34	3	-4	
32.00	30.00	32	3-	-2	
30.00	28.00	30	3-	-0	
28.00	26.00	28	2-	-8	
26.00	24.00	26	2	-6	
24.00	22.00	24	2-	-4	
22.00	20.00	22	2-	-2	
20.00	18.00	20	2-	-0	
18.00	16.00	18	1-	-8	
16.00	14.00	16	1	-6	
14.00	12.00	14	1-	-4	
12.00	10.00	12	1	-2	
10.00	8.00	10	1-	-0	
8.00	6.00	8		-8	
6.00	4.00	6		-6	
4.00	2.00	4			1734508-4
KEYING POS.	A	B	POSITION NUMBER	PART NUMBER	

THIS DRAWING IS A CONTROLLED DOCUMENT.		DWN S. CHIEN 02DEC2008	TE Connectivity Ltd.		
DIMENSIONS: mm		CHK S. CHIEN 02DEC2008			
TOLERANCES UNLESS OTHERWISE SPECIFIED:		APVD W. KODAMA 02DEC2008	NAME		
0 PLC ± 0.5		PRODUCT SPEC	AMPMODU 2.0mm PITCH POST HDR, VERTICAL, MOUNT TYPE		
1 PLC ± 0.2		108-57197	-		
2 PLC ± 0.1		APPLICATION SPEC	SIZE	CAGE CODE	DRAWING NO
3 PLC ± 0.05			A3	00779	C-1734508
4 PLC ± -			RESTRICTED TO		
ANGLES ± 3		WEIGHT -	-		
MATERIAL SEE NOTES	FINISH SEE NOTES	CUSTOMER DRAWING	SCALE 1:1	SHEET 2 OF 4	REV C3

4

3

2

1

THIS DRAWING IS UNPUBLISHED.

RELEASED FOR PUBLICATION

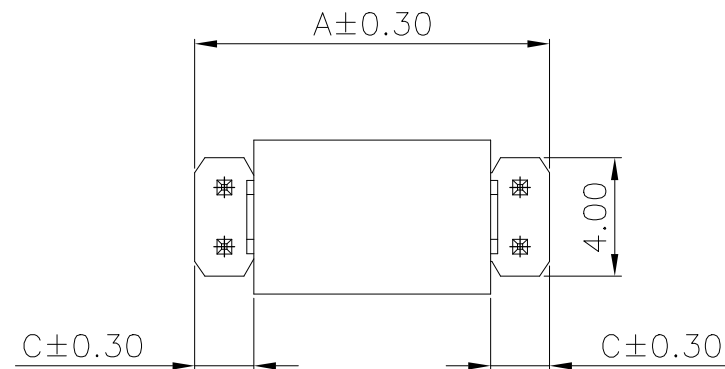
-,-

REVISIONS

© COPYRIGHT - TE Connectivity Ltd.

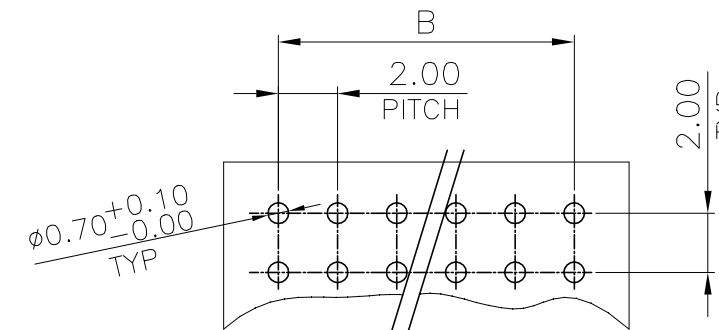
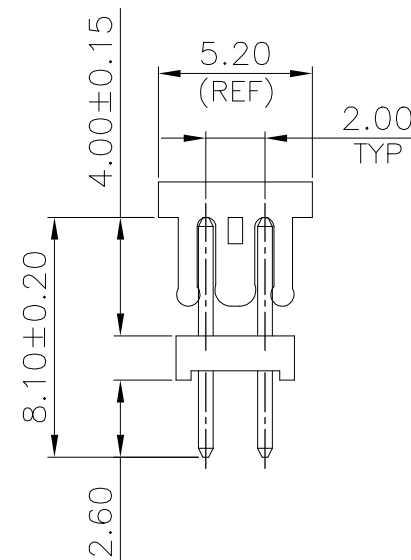
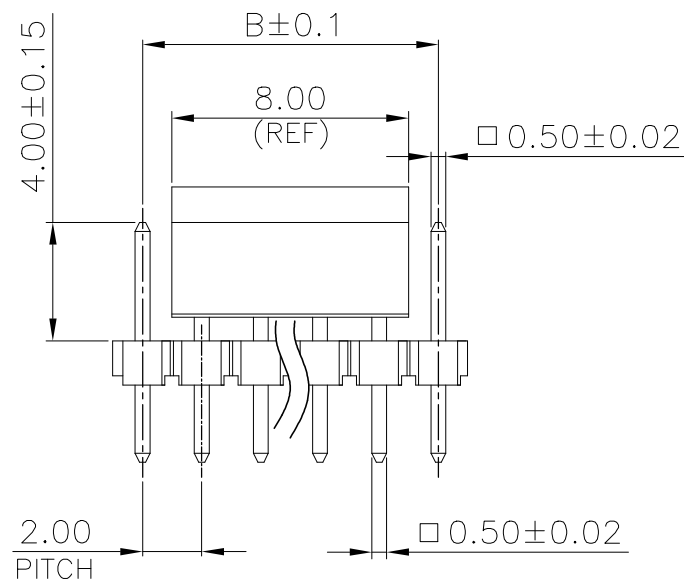
ALL RIGHTS RESERVED.

P	LTR	DESCRIPTION	DATE	DWN	APVD
-	-	SEE SHEET 1	-	-	-



NOTE:

- MATERIAL:
HOUSING: PA6T WITH 30% GF, UL 94V-0, BLACK COLOR.
CAP: LCP WITH 30% GF, UL 94V-0. BLACK COLOR.
CONTACT: BRASS.
- FINISH :
CONTACT:
0.0254um [10u"] MIN. GOLD PLATED ON CONTACT AREA
2.54um [100u"] MIN. MATTE-TIN PLATED ON SOLDER TAIL,
1.27um [50u"] MIN. NICKEL UNDERPLATED OVER ALL
- WAVE SOLDER CAPABLE TO 265°C PER TEST SPEC 109-202, CONDITION B.



OBSOLETE	3.00	14.00	12.00	14	9-1734508-4
OBSOLETE	2.00	12.00	10.00	12	9-1734508-2
	C	A	B	POSITION NUMBER	PART NUMBER
DIMENSIONS					

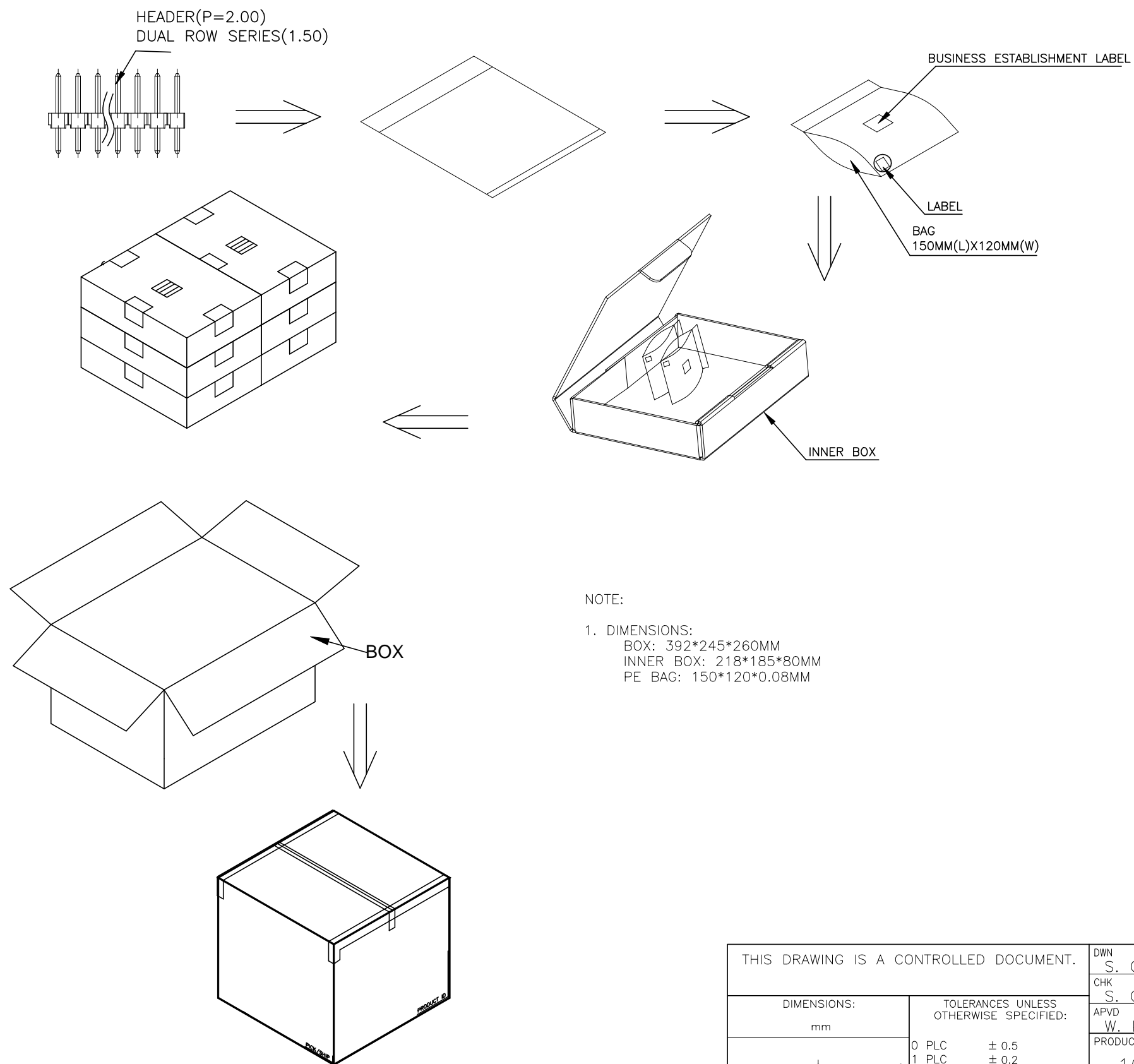
THIS DRAWING IS A CONTROLLED DOCUMENT.		DWN	S. CHIEN	02DEC2008	 TE Connectivity Ltd.											
DIMENSIONS: mm		CHK	S. CHIEN	02DEC2008												
TOLERANCES UNLESS OTHERWISE SPECIFIED:		APVD	W. KODAMA	02DEC2008												
<table border="0"> <tr><td>0 PLC</td><td>± 0.5</td></tr> <tr><td>1 PLC</td><td>± 0.2</td></tr> <tr><td>2 PLC</td><td>± 0.1</td></tr> <tr><td>3 PLC</td><td>± 0.05</td></tr> <tr><td>4 PLC</td><td>± -</td></tr> <tr><td>ANGLES</td><td>± 3</td></tr> </table>		0 PLC	± 0.5	1 PLC		± 0.2	2 PLC	± 0.1	3 PLC	± 0.05	4 PLC	± -	ANGLES	± 3	PRODUCT SPEC	108-57197
0 PLC	± 0.5															
1 PLC	± 0.2															
2 PLC	± 0.1															
3 PLC	± 0.05															
4 PLC	± -															
ANGLES	± 3															
MATERIAL		APPLICATION SPEC		NAME												
SEE NOTES		FINISH		AMPMODU 2.0mm PITCH POST HDR, VERTICAL, MOUNT TYPE												
		WEIGHT		SIZE												
		-		A3 00779												
		CUSTOMER DRAWING		DRAWING NO												
				C-1734508												
		SCALE		RESTRICTED TO												
		1:1		-												
		SHEET		REV												
		1 of 4		C3												

THIS DRAWING IS UNPUBLISHED. RELEASED FOR PUBLICATION
 © COPYRIGHT - TE Connectivity Ltd. ALL RIGHTS RESERVED.

REVISIONS					
P	LTR	DESCRIPTION	DATE	DWN	APVD
-	-	SEE SHEET 1	-	-	-

D
C
B
A


D
C
B
A



NOTE:
 1. DIMENSIONS:
 BOX: 392*245*260MM
 INNER BOX: 218*185*80MM
 PE BAG: 150*120*0.08MM

	6.90 KG	5.52 KG	500	8	6	24000 PCS	10
	5.786 KG	4.406 KG	50	8	6	2400 PCS	80
OBSOLETE	5.676 KG	4.296 KG	50	8	6	2400 PCS	78
	5.565 KG	4.185 KG	50	8	6	2400 PCS	76
	5.433 KG	4.053 KG	50	8	6	2400 PCS	74
	5.344 KG	3.964 KG	50	8	6	2400 PCS	72
	5.236 KG	3.856 KG	50	8	6	2400 PCS	70
	5.126 KG	3.746 KG	50	8	6	2400 PCS	68
	5.74 KG	4.36 KG	60	8	6	2880 PCS	66
	5.61 KG	4.23 KG	60	8	6	2880 PCS	64
	5.478 KG	4.098 KG	60	8	6	2880 PCS	62
	6.006 KG	4.626 KG	70	8	6	3360 PCS	60
	5.852 KG	4.472 KG	70	8	6	3360 PCS	58
	7.548 KG	6.168 KG	100	8	6	4800 PCS	56
	7.33 KG	5.947 KG	100	8	6	4800 PCS	54
	7.106 KG	5.726 KG	100	8	6	4800 PCS	52
	6.89 KG	5.51 KG	100	8	6	4800 PCS	50
	6.669 KG	5.289 KG	100	8	6	4800 PCS	48
	6.448 KG	5.068 KG	100	8	6	4800 PCS	46
OBSOLETE	6.228 KG	4.848 KG	100	8	6	4800 PCS	44
	6.007 KG	4.627 KG	100	8	6	4800 PCS	42
	5.786 KG	4.406 KG	100	8	6	4800 PCS	40
	5.565 KG	4.185 KG	100	8	6	4800 PCS	38
	5.344 KG	3.964 KG	100	8	6	4800 PCS	36
OBSOLETE	5.124 KG	3.744 KG	100	8	6	4800 PCS	34
	4.903 KG	3.523 KG	100	8	6	4800 PCS	32
	4.687 KG	3.307 KG	100	8	6	4800 PCS	30
	4.466 KG	3.086 KG	100	8	6	4800 PCS	28
OBSOLETE	5.678 KG	4.298 KG	150	8	6	7200 PCS	26
	5.35 KG	3.97 KG	150	8	6	7200 PCS	24
	6.23 KG	4.85 KG	200	8	6	9600 PCS	22
	5.79 KG	4.41 KG	200	8	6	9600 PCS	20
	6.35 KG	4.97 KG	250	8	6	12000 PCS	18
OBSOLETE	5.78 KG	4.40 KG	250	8	6	12000 PCS	16
	6.00 KG	4.62 KG	300	8	6	14400 PCS	14
OBSOLETE	5.34 KG	3.96 KG	300	8	6	14400 PCS	12
	6.90 KG	5.52 KG	500	8	6	24000 PCS	10
	5.80 KG	4.42 KG	500	8	6	24000 PCS	8
	6.68 KG	5.30 KG	800	8	6	38400 PCS	6
	5.79 KG	4.41 KG	1000	8	6	48000 PCS	4
	GROSS WEIGHT	NET WEIGHT	PCS/BAG	BAGS /INNER CARTON	INNER CARTON /CARTON	QUANTITY	NO. OF POSTS

THIS DRAWING IS A CONTROLLED DOCUMENT.		DWN	S. CHIEN	02DEC2008
DIMENSIONS: mm		CHK	S. CHIEN	02DEC2008
TOLERANCES UNLESS OTHERWISE SPECIFIED:		APVD	W. KODAMA	02DEC2008
0 PLC ± 0.5	1 PLC ± 0.2	NAME		
2 PLC ± 0.1	3 PLC ± 0.05	PRODUCT SPEC		
4 PLC ± -	ANGLES ± 3	108-57197		
MATERIAL SEE NOTES	FINISH SEE NOTES	APPLICATION SPEC		
		-		
		WEIGHT -		
		CUSTOMER DRAWING		
		SCALE 1:1		SHEET 3 OF 4
		REV C3		



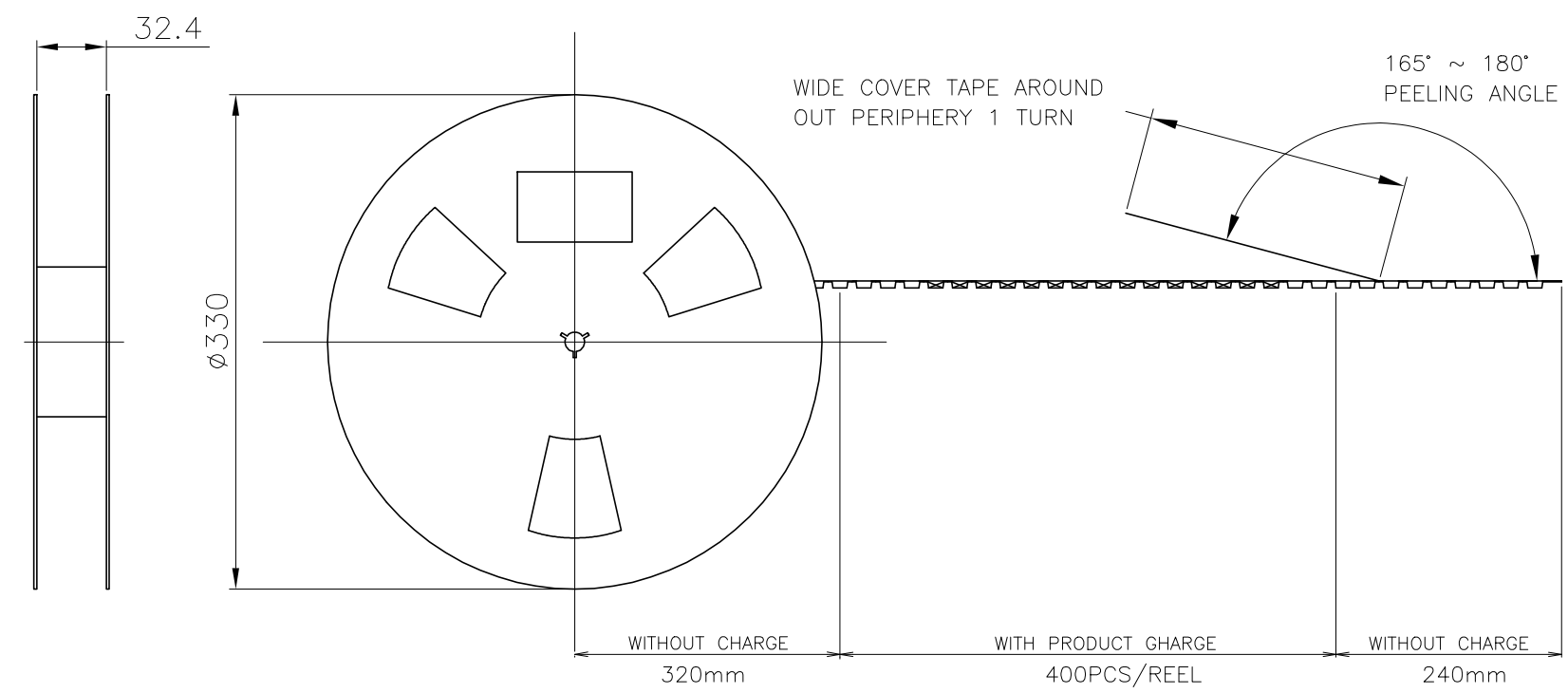
TE Connectivity Ltd.

AMPMODU 2.0mm PITCH POST HDR, VERTICAL, MOUNT TYPE

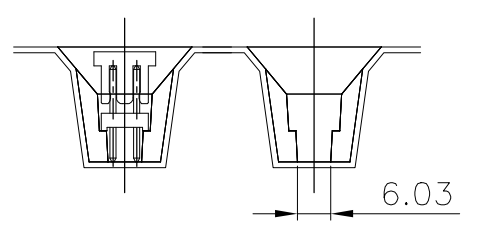
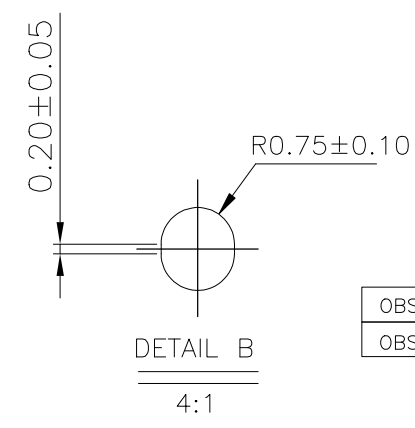
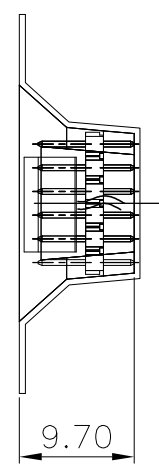
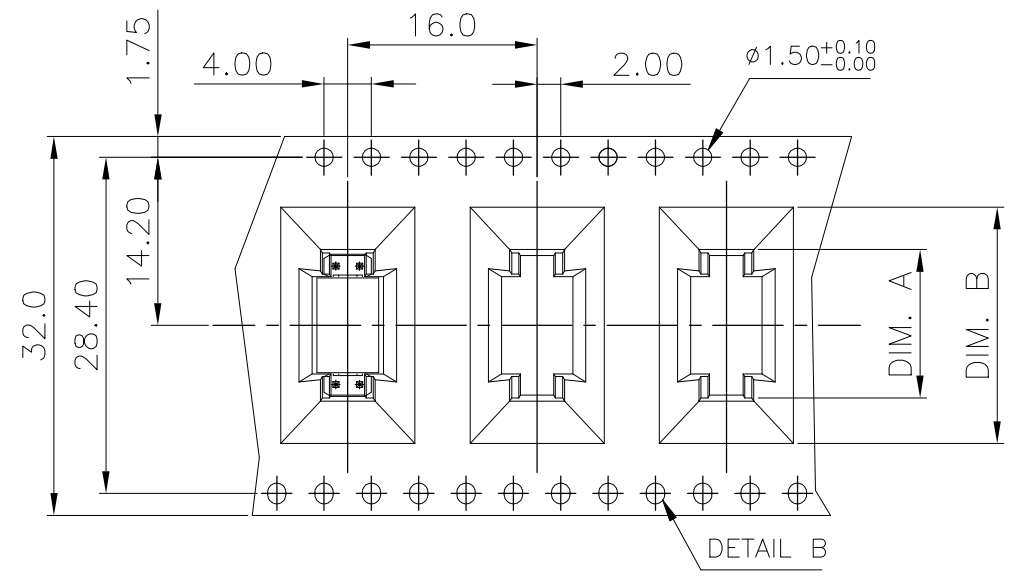
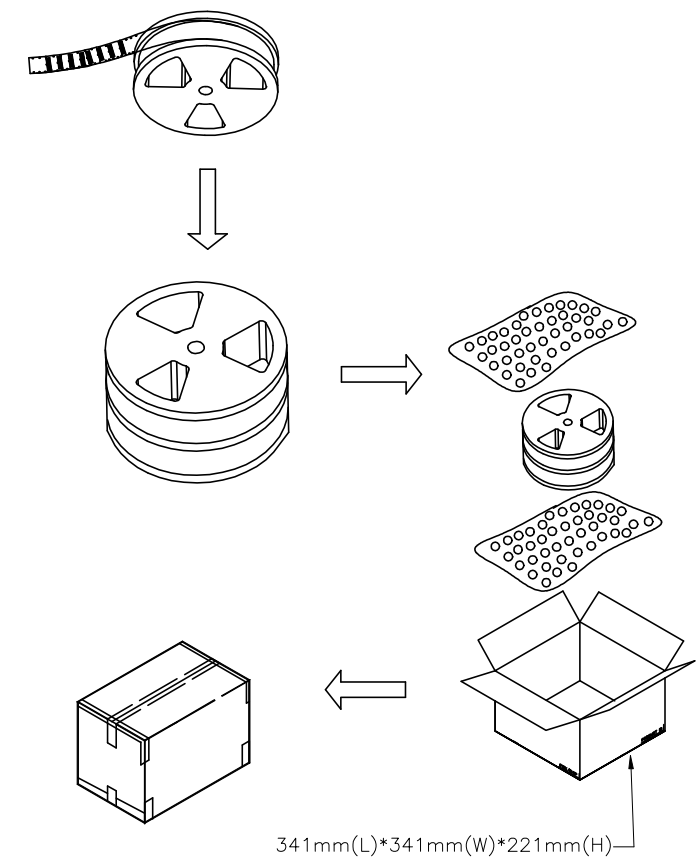
SIZE A3 CAGE CODE 00779 DRAWING NO C=1734508 RESTRICTED TO -

THIS DRAWING IS UNPUBLISHED. RELEASED FOR PUBLICATION
 © COPYRIGHT - TE Connectivity Ltd. ALL RIGHTS RESERVED.

REVISIONS					
P	LTR	DESCRIPTION	DATE	DWN	APVD
-	-	SEE SHEET 1	-	-	-



- NOTES :
- MATERIAL :
 COVER TAPE : PT+ABS, COLOR: TRANSPARENT
 CARRIER TAPE : PS
 REEL : PS
 SHIPPING BOX: CORRUGATED FIBER
 - PEELING RESISTANCE : 10gf~130gf (for 12mm~56mm)
 - PEELING SPEED : 300mm/MINUTES



OBSOLETE	22.00	14.80	3.70KG	1.03KG	2000	400	14	9-1734508-4
OBSOLETE	20.00	12.80	3.51KG	0.94KG	2000	400	12	9-1734508-2
	DIM. B	DIM. A	GROSS WEIGHT	NET WEIGHT	PCS/BOX	PCS/REEL	POS	PART NO.

THIS DRAWING IS A CONTROLLED DOCUMENT.		DWN S. CHIEN 02DEC2008	TE Connectivity Ltd.	
DIMENSIONS: mm		CHK S. CHIEN 02DEC2008		
TOLERANCES UNLESS OTHERWISE SPECIFIED:		APVD W. KODAMA 02DEC2008	NAME	
0 PLC ± 0.5 1 PLC ± 0.2 2 PLC ± 0.1 3 PLC ± 0.05 4 PLC ± - ANGLES ± 3		PRODUCT SPEC 108-57197	AMPMODU 2.0mm PITCH POST HDR, VERTICAL, MOUNT TYPE	
MATERIAL SEE NOTES		FINISH SEE NOTES	APPLICATION SPEC -	RESTRICTED TO -
		WEIGHT -	SIZE A3	CAGE CODE 00779
		CUSTOMER DRAWING	DRAWING NO. C-1734508	REV C3
			SCALE 1:1	SHEET 4 OF 4

单击下面可查看定价，库存，交付和生命周期等信息

[>>TE Connectivity\(泰科\)](#)