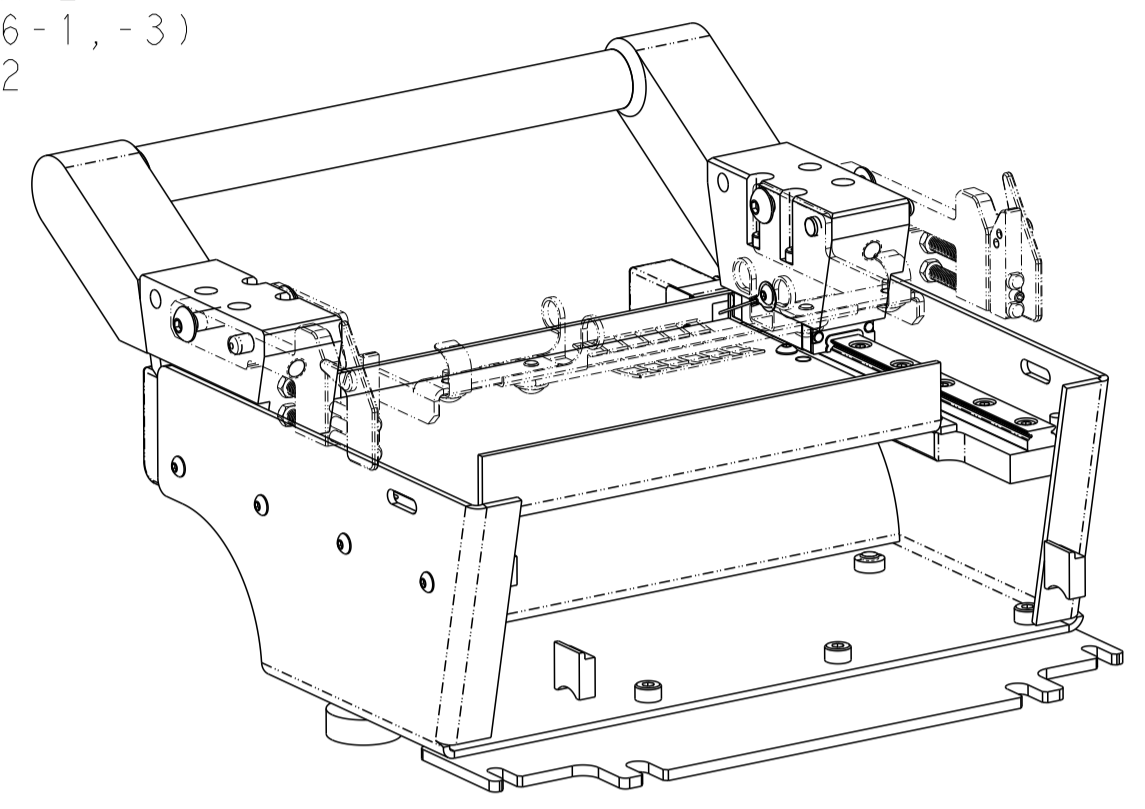


| PART NUMBER | REV | FIRST USED | DESC                                  | AIR COOLING | TOOL KIT TYPE            |
|-------------|-----|------------|---------------------------------------|-------------|--------------------------|
| 2234786-1   | B   | 2234800-1  | RBK FIXTURE, MULTI-TOOL               | N           | MULTI-TOOL               |
| 2234786-2   | B   | 2234800-1  | RBK FIXTURE, MULTI-TOOL, A/C          | Y           | MULTI-TOOL               |
| 2234786-3   | B   | 2234800-1  | RBK FIXTURE, CAP W/ FLATTEN BRKT      | N           | CAP WITH FLATTEN BRACKET |
| 2234786-4   | B   | 2234800-1  | RBK FIXTURE, CAP W/ FLATTEN BRKT, A/C | Y           | CAP WITH FLATTEN BRACKET |

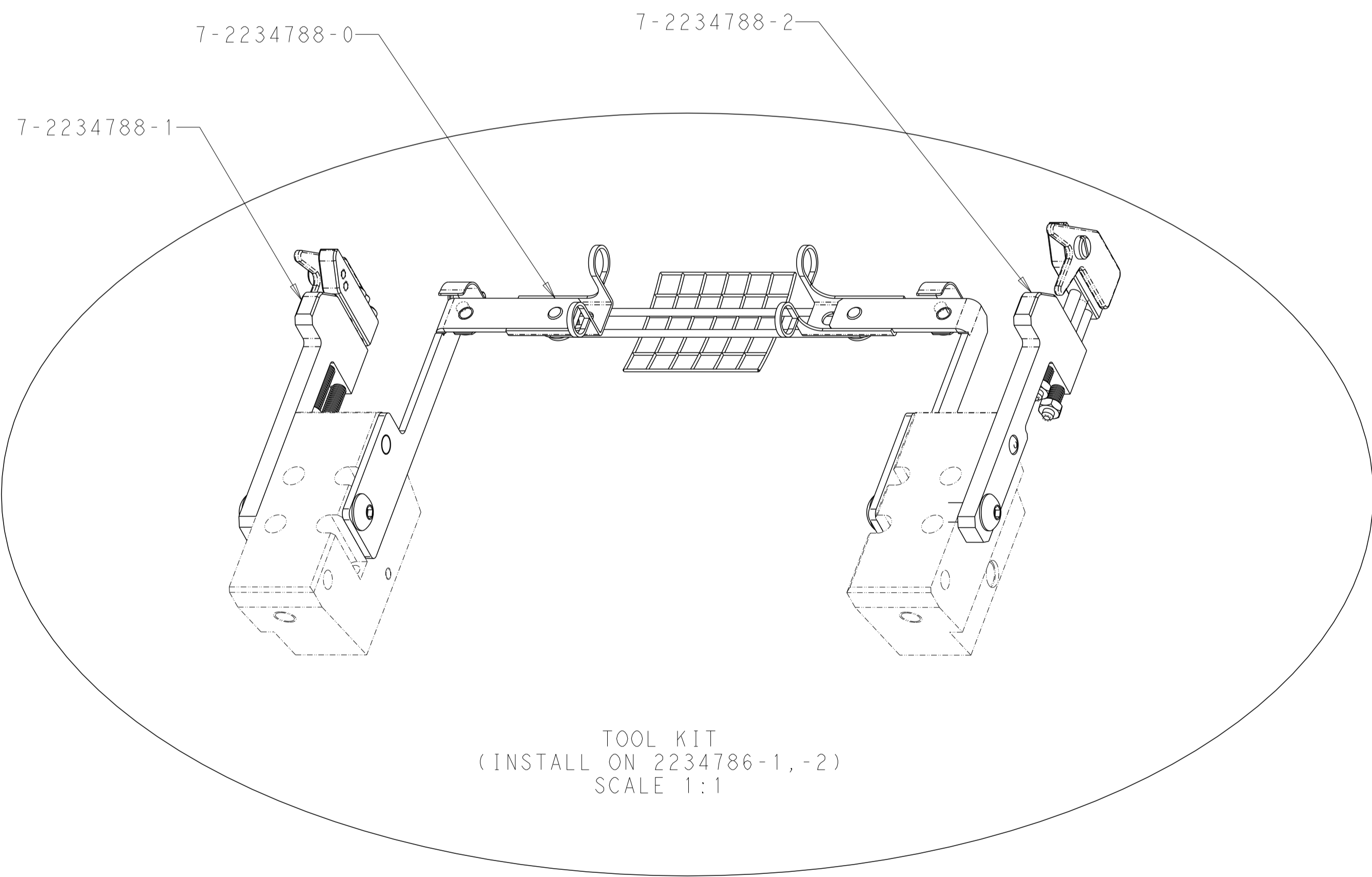
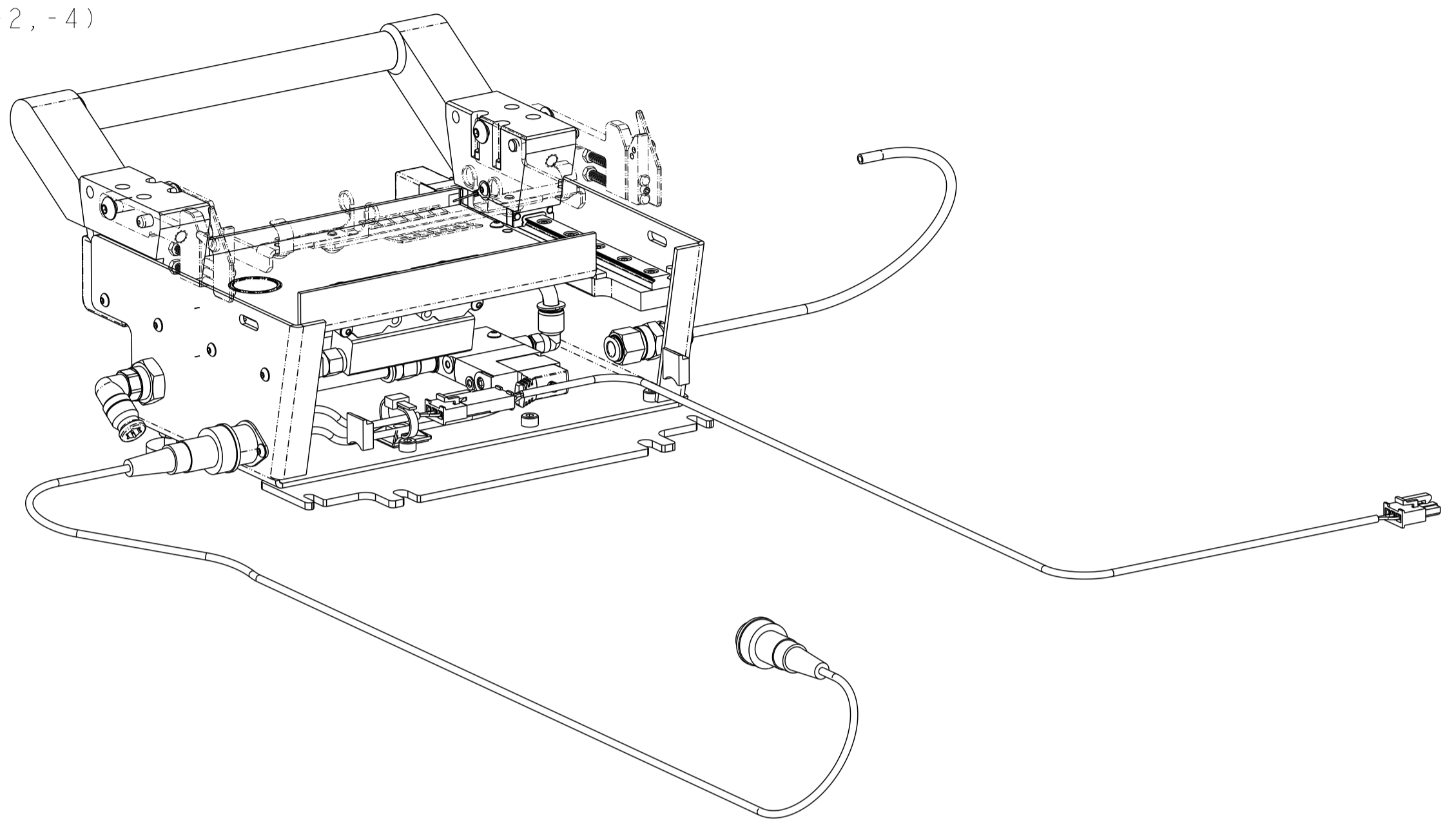
| REVISIONS |     |                 |           |       |
|-----------|-----|-----------------|-----------|-------|
| P         | LTN | DESCRIPTION     | DATE      | APVD  |
| B         |     | INITIAL RELEASE | 04JUL2024 | GK CZ |
|           |     |                 |           |       |
|           |     |                 |           |       |

- NOTE:
1. RECOMMENDED SPARE PARTS - (NONE).
  2. IDENTIFY PART PER TEC-115-67-6.
  3. INSTRUCTION SHEET 408-35188.
  4. RBK FIXTURE HAS 2 VERSION:  
 VERION 1, WITHOUT AIR COOLING:  
 2234786-1  
 2234786-3  
 VERION 2, WITH AIR COOLING:  
 2234786-2  
 2234786-4
  5. SOME OTHER OPTIONAL TOOL KIT, SEE SHEET 2.
  6. APPROXIMATE FIXTURE SIZE:  
 WIDTH X DEPTH X HEIGHT=170X180X135 MM

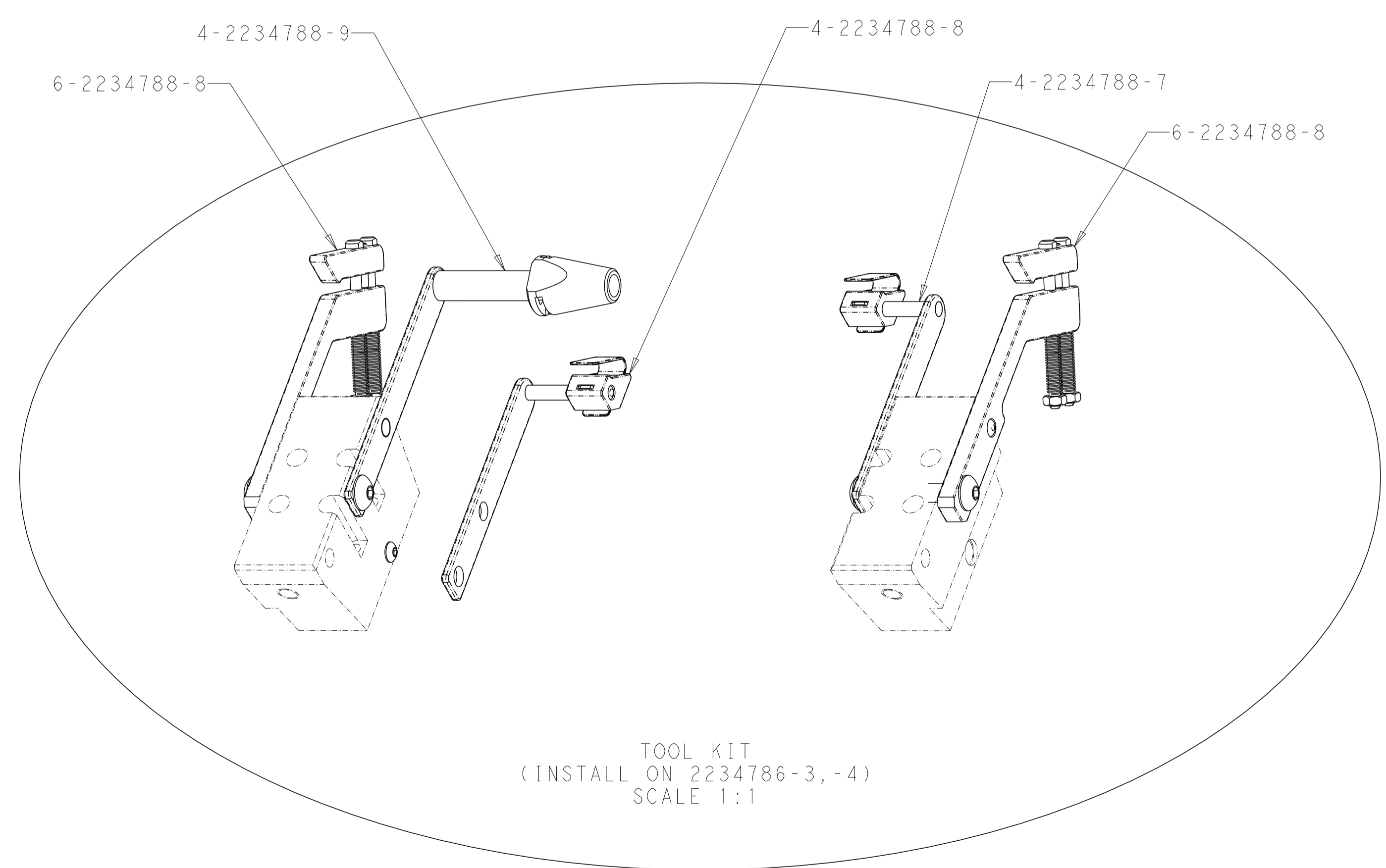
FIXTURE FRAME  
(USED ON 2234786-1, -3)  
SCALE 1:2



FIXTURE FRAME  
(USED ON 2234786-2, -4)  
SCALE 1:2



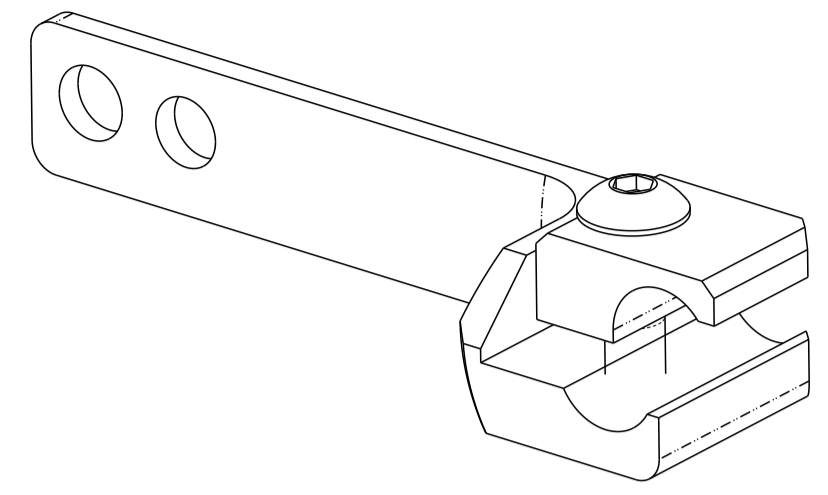
TOOL KIT  
(INSTALL ON 2234786-1, -2)  
SCALE 1:1



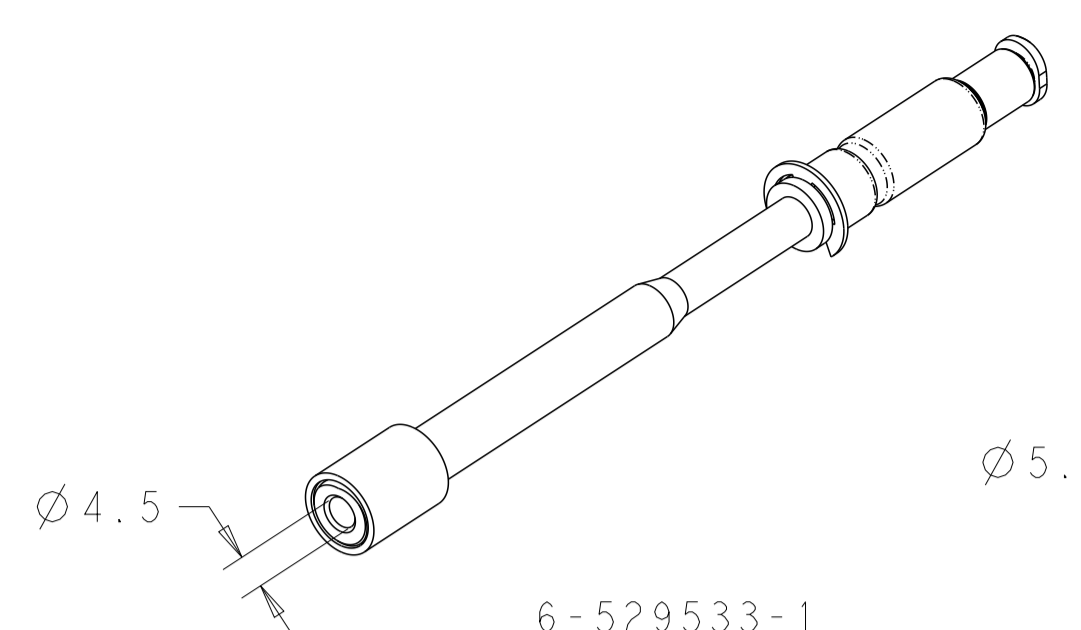
TOOL KIT  
(INSTALL ON 2234786-3, -4)  
SCALE 1:1

|  |         |                               |                     |
|--|---------|-------------------------------|---------------------|
| THIS DRAWING IS A CONTROLLED DOCUMENT. |         | OWN<br>C. ZHU<br>26 JUL 2023  |                     |
| DIMENSIONS:                            |         | CHK<br>C. ZHU<br>26 JUL 2023  |                     |
| mm                                     | 0 PLC ± | APVD<br>C. ZHU<br>26 JUL 2023 | NAME<br>RBK FIXTURE |
|  | 1 PLC ± | PRODUCT SPEC                  | SIZE                |
|  | 2 PLC ± | APPLICATION SPEC              | CAGE CODE           |
|  | 3 PLC ± | WEIGHT                        | DRAWING NO          |
|  | 4 PLC ± | CUSTOMER DRAWING              | RESTRICTED TO       |
| MATERIAL<br>TBD                        | FINISH  | SCALE<br>1:2                  | SHEET<br>1 OF 2     |
|  |         | REV<br>B                      |                     |

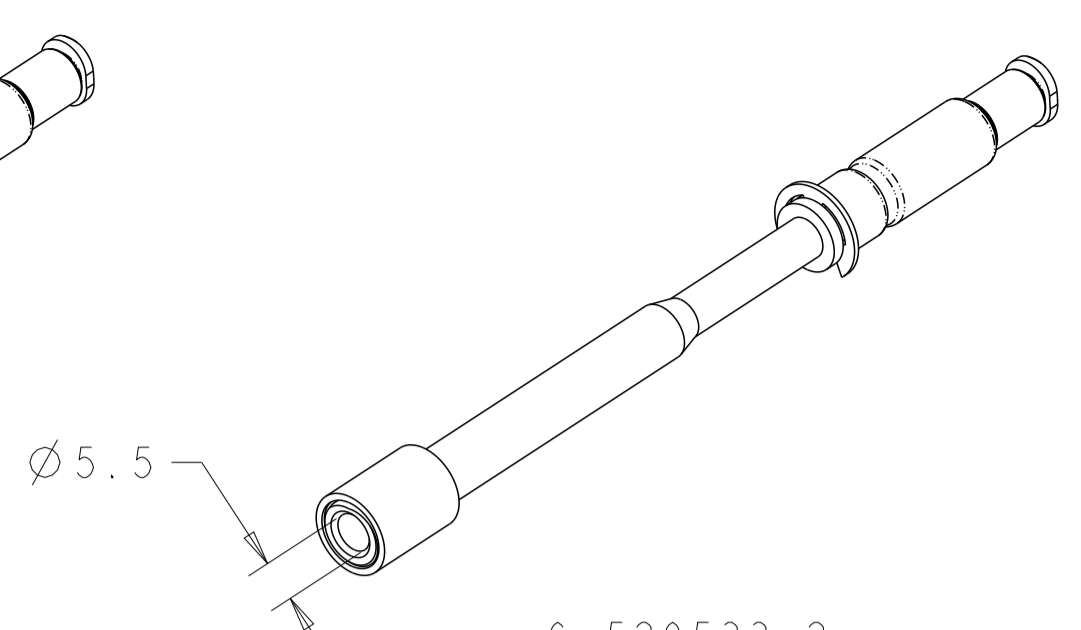
| REVISIONS |             |             |      |      |
|-----------|-------------|-------------|------|------|
| P.        | LTN         | DESCRIPTION | DATE | APVD |
| -         | SEE SHEET 1 |             |      |      |
|           |             |             |      |      |
|           |             |             |      |      |



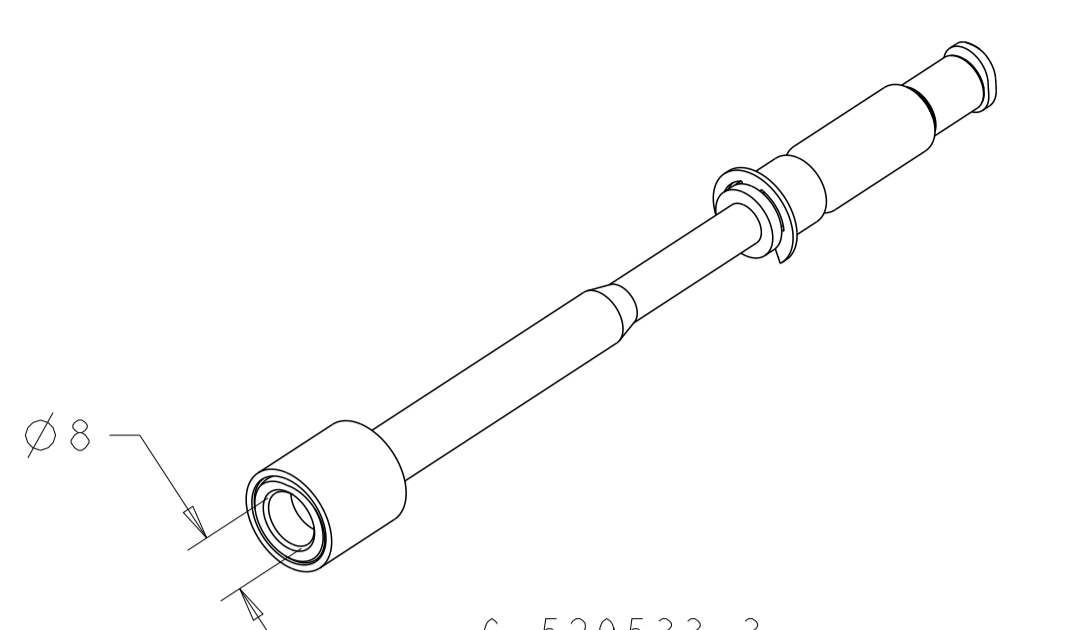
2-2234788-9  
SCALE 2:1



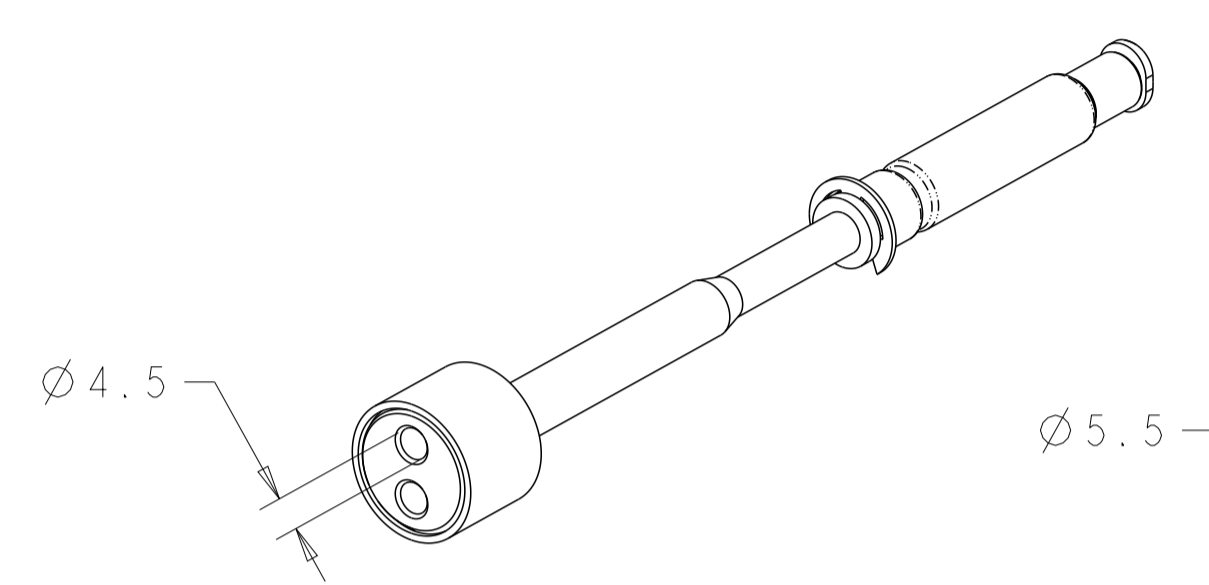
6-529533-1  
SCALE 1:1



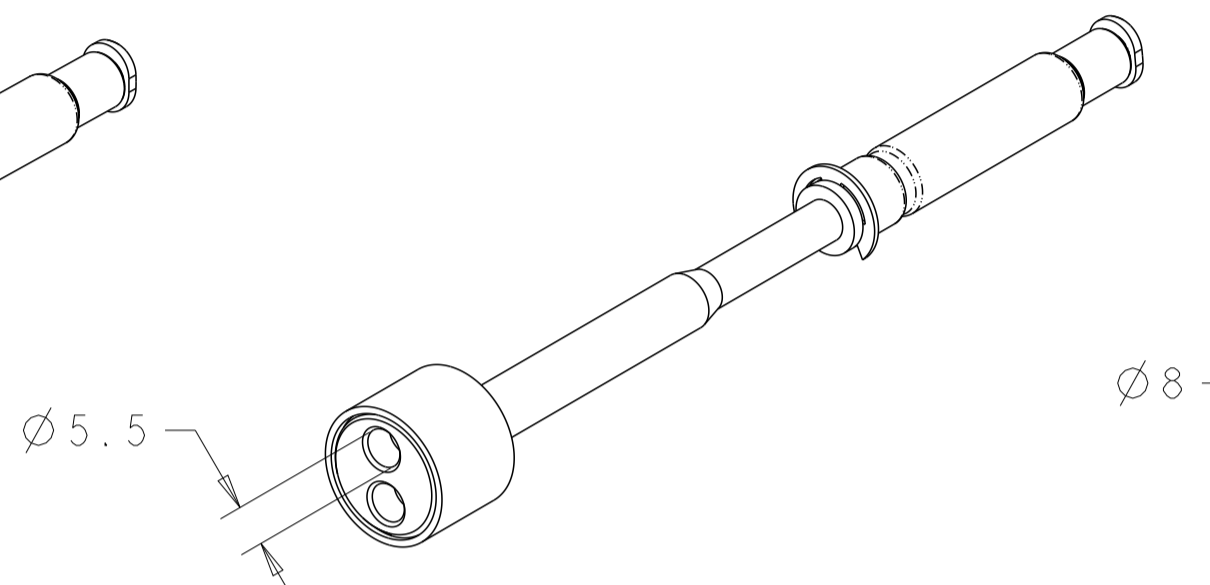
6-529533-2  
SCALE 1:1



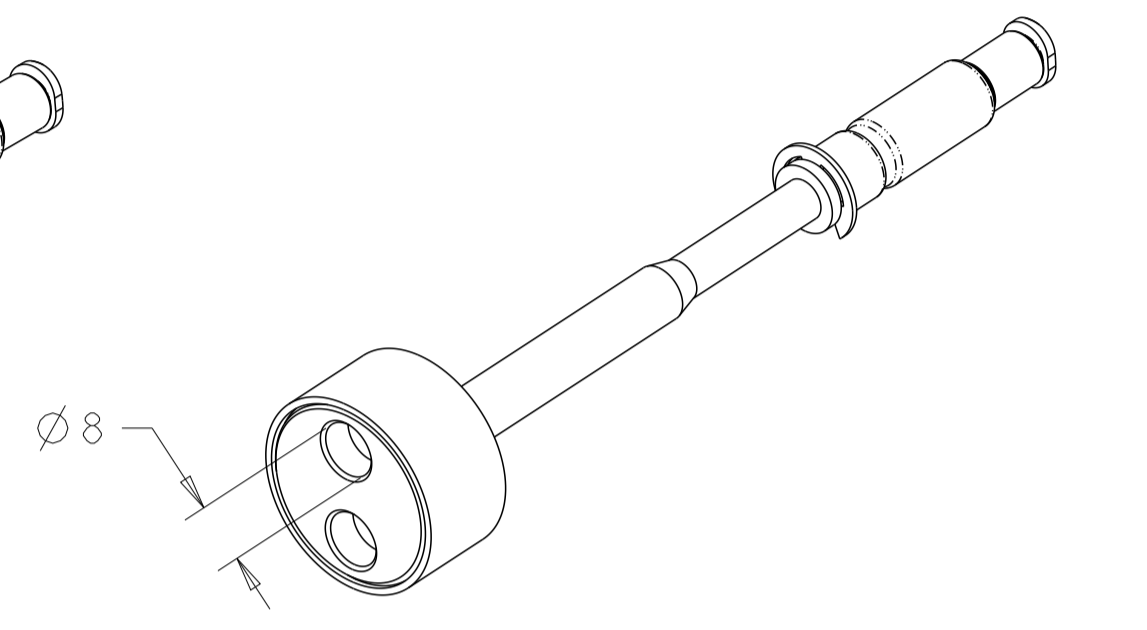
6-529533-3  
SCALE 1:1



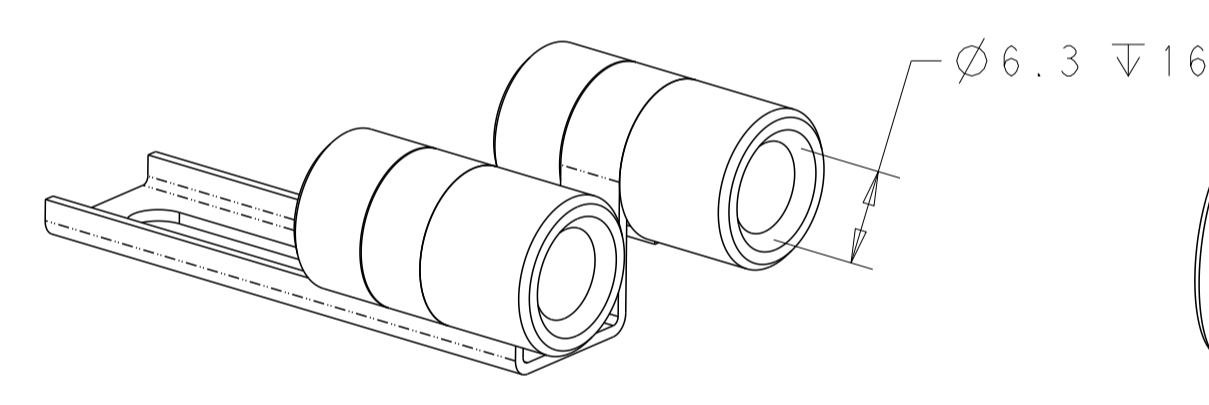
8-529533-2  
SCALE 1:1



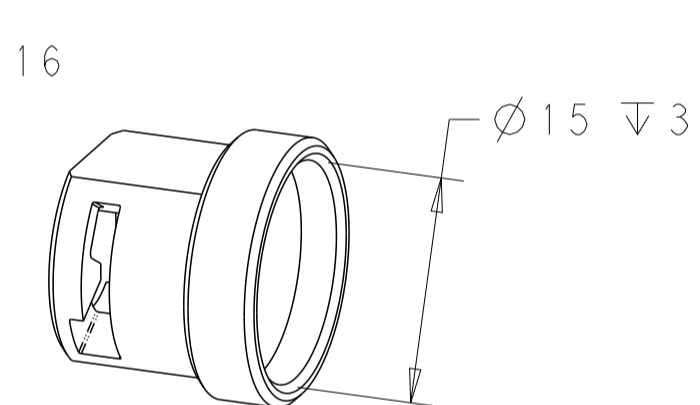
8-529533-3  
SCALE 1:1



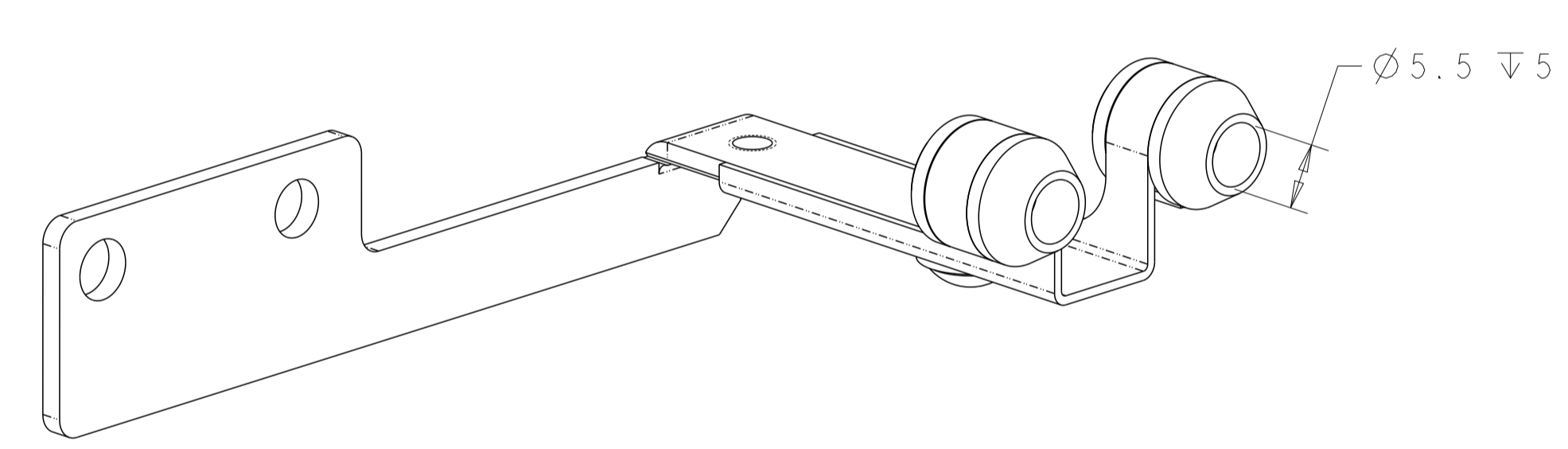
8-529533-4  
SCALE 1:1



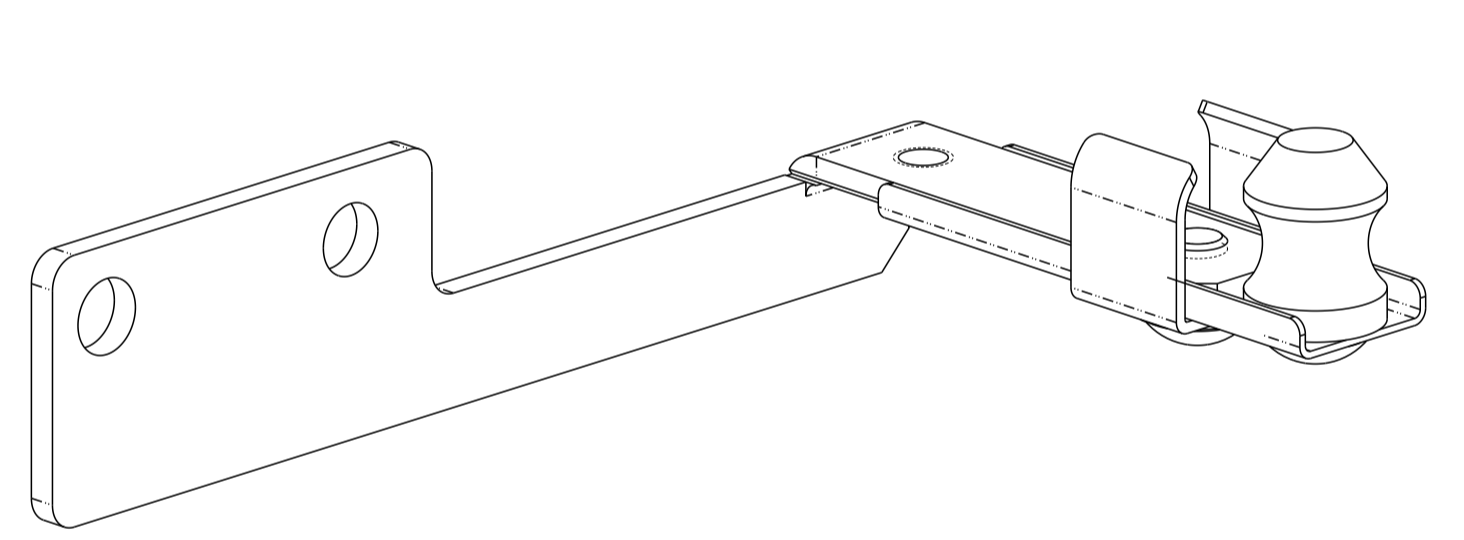
2384437-1  
SCALE 2:1



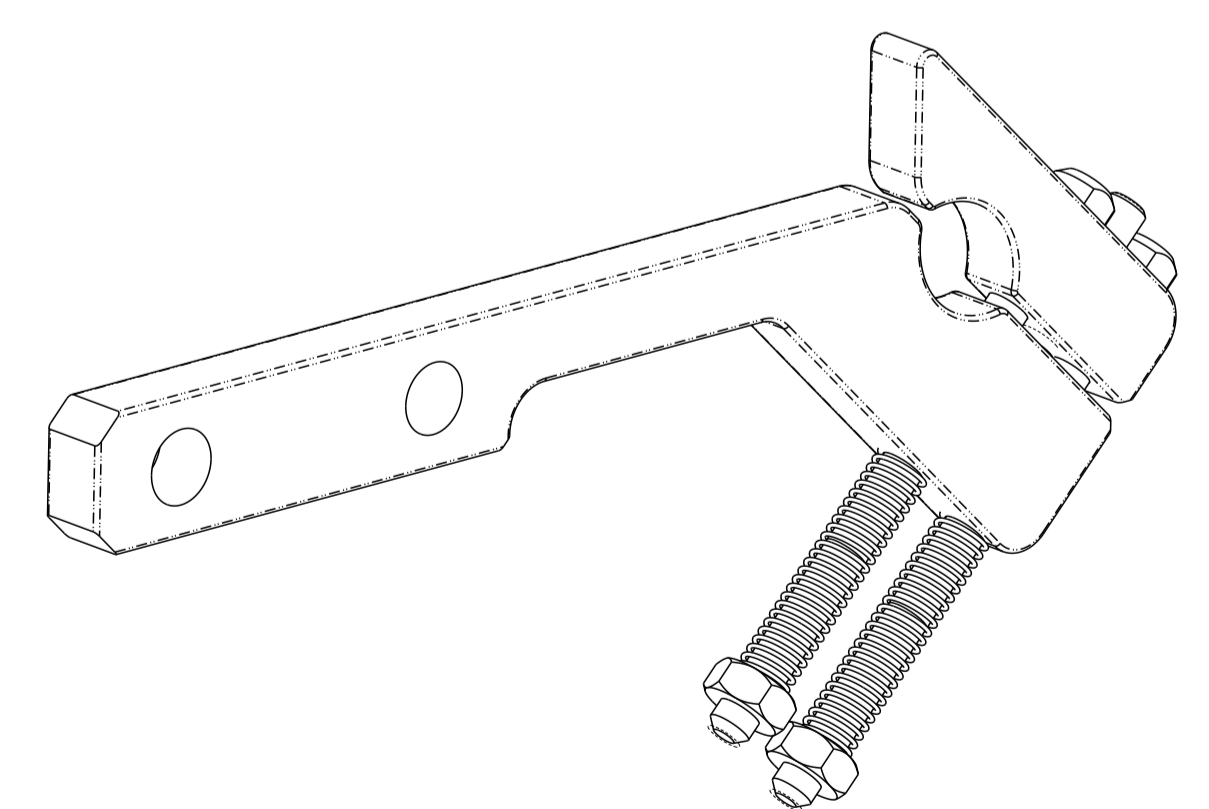
5-2234788-9  
SCALE 2:1



7-2234788-4  
SCALE 2:1



7-2234788-7  
SCALE 2:1



7-2234788-3  
SCALE 2:1

OPTIONAL TOOL KITS

|  |          |                          |                               |
|--|----------|--------------------------|-------------------------------|
| THIS DRAWING IS A CONTROLLED DOCUMENT. |          | OWN: C. ZHU 26 JUL 2023  |                               |
| DIMENSIONS: mm                         |          | CHK: C. ZHU 26 JUL 2023  |                               |
| TOLERANCES UNLESS OTHERWISE SPECIFIED: |          | APVD: C. ZHU 26 JUL 2023 | NAME: RBK FIXTURE             |
| 0 PLC ±                                | 1 PLC ±  | PRODUCT SPEC             | SIZE: CAGE CODE DRAWING NO    |
| 2 PLC ±                                | 3 PLC ±  | APPLICATION SPEC         | RESTRICTED TO                 |
| 4 PLC ±                                | ANGLES ± | WEIGHT                   | A   00779   C=2234786         |
| MATERIAL: TBD                          | FINISH   | CUSTOMER DRAWING         | SCALE: 1:2 SHEET 2 OF 2 REV B |

单击下面可查看定价，库存，交付和生命周期等信息

[>>TE Connectivity\(泰科\)](#)