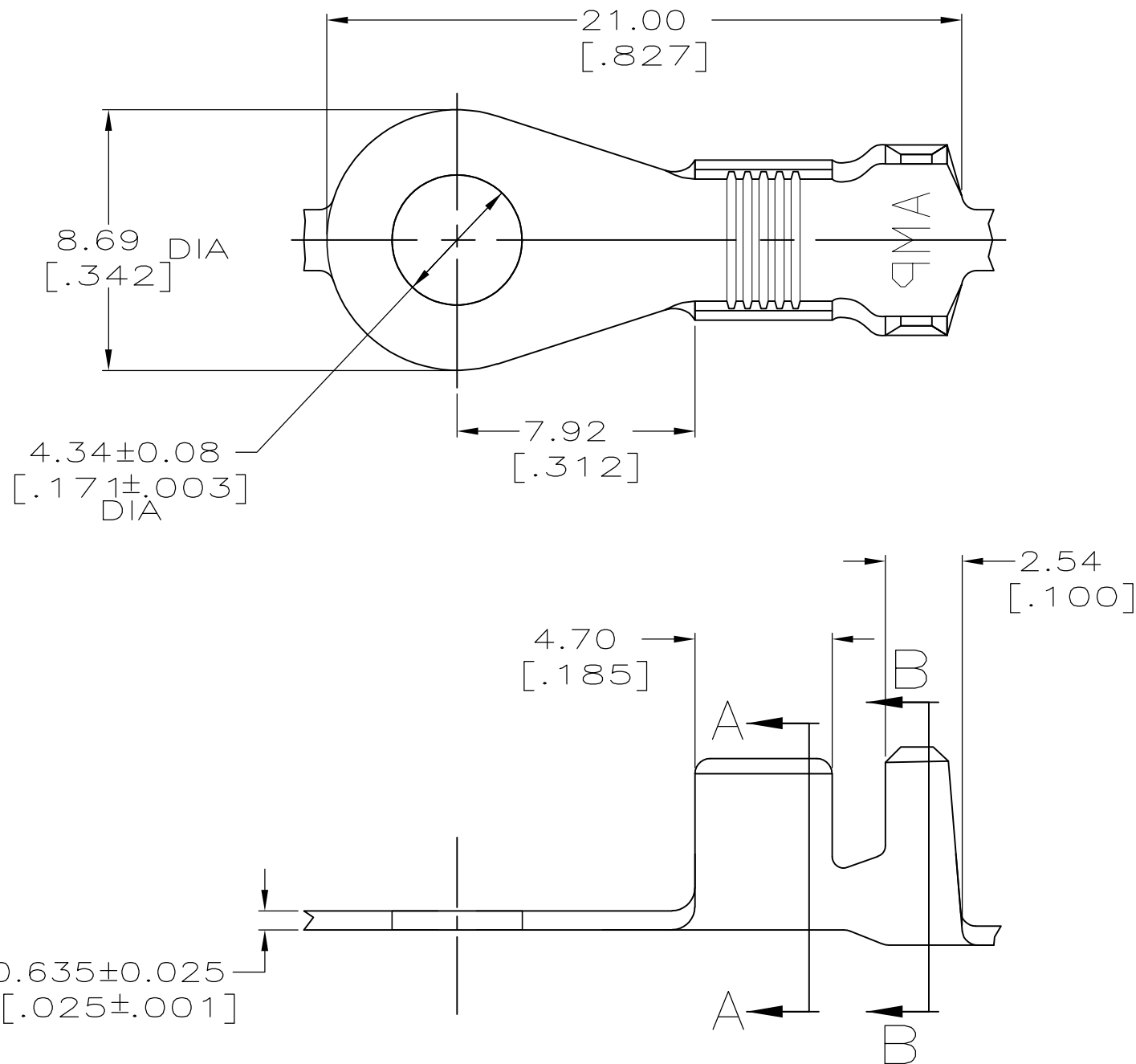


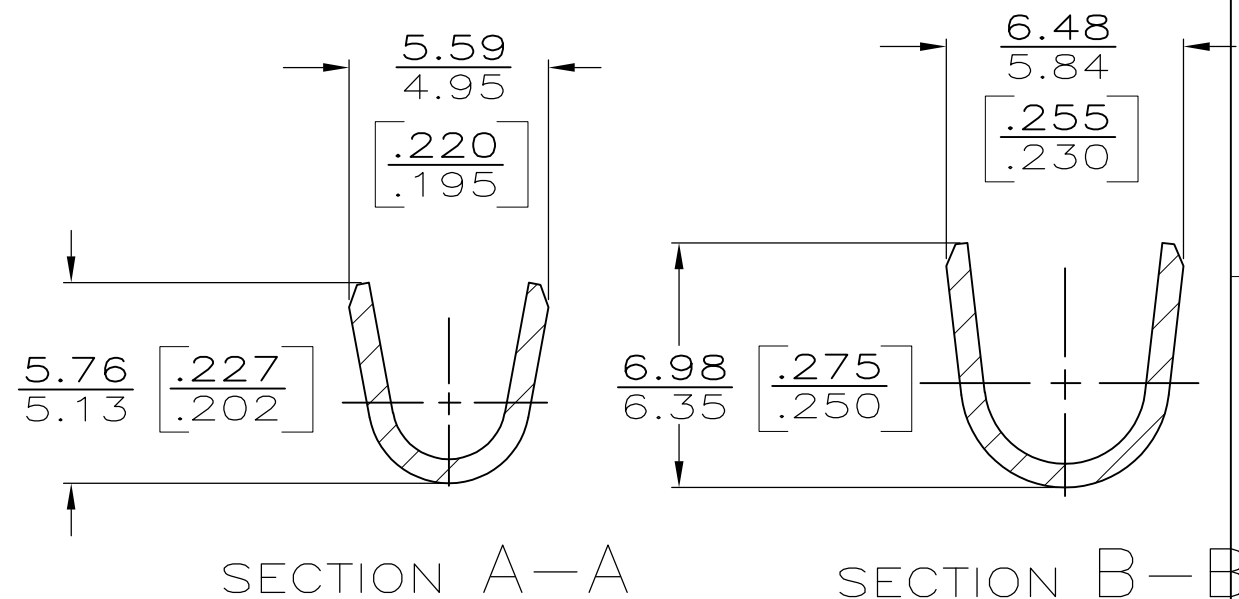
LOC
AF
DIST
50

REVISIONS

P	LTR	DESCRIPTION	DATE	DWN	APVD
	F	REVISE PER ECR-13-013738	15FEB2014	GRZ	JL



1 CONTINUOUS STRIP ON REELS.



3.81-4.83 [.150-.190] DIA (2) 2.92 [.115]	(2) 1.15mm ² -[17] AWG OR (2) 1.45mm ² -[15] AWG	60752-2
INSULATION RANGE	MAGNET WIRE RANGE	PART NUMBER

THIS DRAWING IS A CONTROLLED DOCUMENT.

DWN P FORTNEY 5/30/91
CHK MS FEHER 5/30/91

APVD G YETTER 5/30/91
PRODUCT SPEC R WEAVILL 5/30/91

APPLICATION SPEC

WEIGHT -

NAME RING,AMPLIVAR

SIZE A3 CAGE CODE 00779 DRAWING NO C-60752 RESTRICTED TO -

MATERIAL BRASS FINISH 0.002032 [.000080] MIN TIN PL PER MIL-T-10727

CUSTOMER DRAWING SCALE 5:1 SHEET 1 OF 1 REV F

单击下面可查看定价，库存，交付和生命周期等信息

[>>TE Connectivity\(泰科\)](#)