

4

3

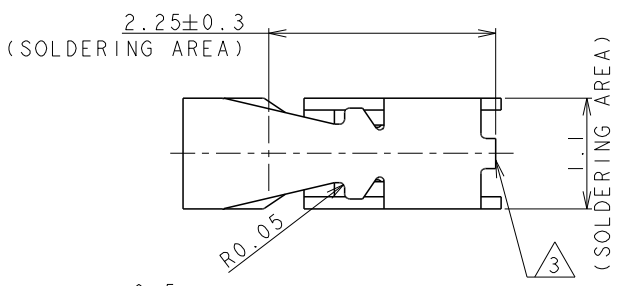
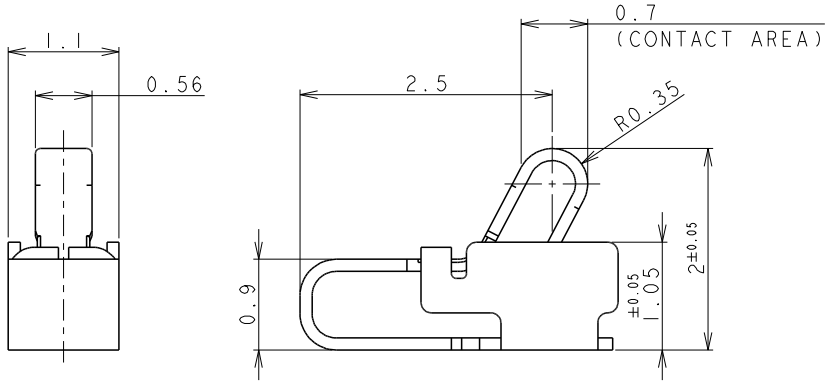
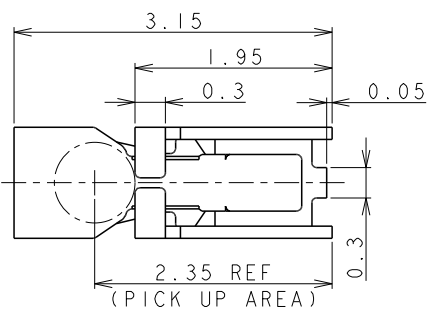
2

1

THIS DRAWING IS UNPUBLISHED. RELEASED FOR PUBLICATION 20
 © COPYRIGHT 20 BY - ALL RIGHTS RESERVED.

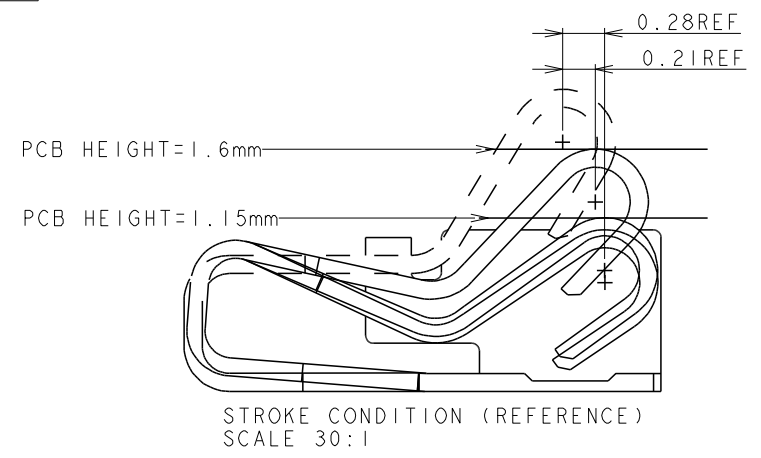
LOC		DIST		REVISIONS			
P	LTR	DESCRIPTION		DATE	DWN	APVD	
J	-	D1	REVISED	25APR2012	T.Z	S.Y	
		E	REVISED ECR-16-017382	04MAY2017	J.J	W.H	

AS SHOWN: -1 & -2



CONNECTOR MOUNT AREA

PCB LAYOUT (REFERENCE)
SCALE 20:1



- NOTES:
- △ PRE-PLATING SPECIFICATION:
 Ni UNDER PLATING : 0.8um TO 2.0um
 Au PLATING (CONTACT PLATING) : 0.25um TO 0.5um
 Au PLATING (SOLDER PLATING) : 0.05um TO 0.5um
 - △ MATERIAL : COPPER ALLOY, THK.=0.12mm
 - △ CUTTING BURR : 0.05mm MAX.
 - 4 CIRCUMFERENCE BURRS : 0.03mm MIN.
 - 5 DISUSED PACKAGEING MATERIAL : DRYPACK AND BAKING PROCESS.
 - △ POST-PLATING SPECIFICATION
 Ni UNDER PLATING : 0.8um TO 2.0um
 Au PLATING (CONTACT PLATING) : 0.3um MIN.
 Au PLATING (SOLDER PLATING) : 0.01um TO 0.2um
 - 7. NORMAL FORCE AT 1.60mm HEIGHT IS 0.3N MIN.
 NORMAL FORCE AT 1.15mm HEIGHT IS 1.1N MAX.

N/A	△	△	1554901-2
108-78724	△	△	1554901-1
PRODUCT SPEC.	FINISH	MATERIAL	PART NUMBER

THIS DRAWING IS A CONTROLLED DOCUMENT.		DWN 06NOV2009 Y. KUDO	TE Connectivity - SHIELD FINGER 2011 -			
DIMENSIONS: mm		CHK 06NOV2009 C. OHASHI			NAME	
TOLERANCES UNLESS OTHERWISE SPECIFIED: ±0.15		APVD 06NOV2009 Y. NAKAZAWA			PRODUCT SPEC	
0-PLC ± 1-PLC ±0.5 2-PLC ±0.13 3-PLC ±0.013 4-PLC ±0.000j ANGLES ±3		APPLICATION SPEC			SEE TABLE	
MATERIAL	FINISH	WEIGHT	SIZE	CAGE CODE	DRAWING NO	RESTRICTED TO
△ 2	△ 1	0.0098 g	A3	00779	C=1554901	-
Customer Drawing			SCALE	SHEET	OF	REV
			20:1	1	2	E

4

3

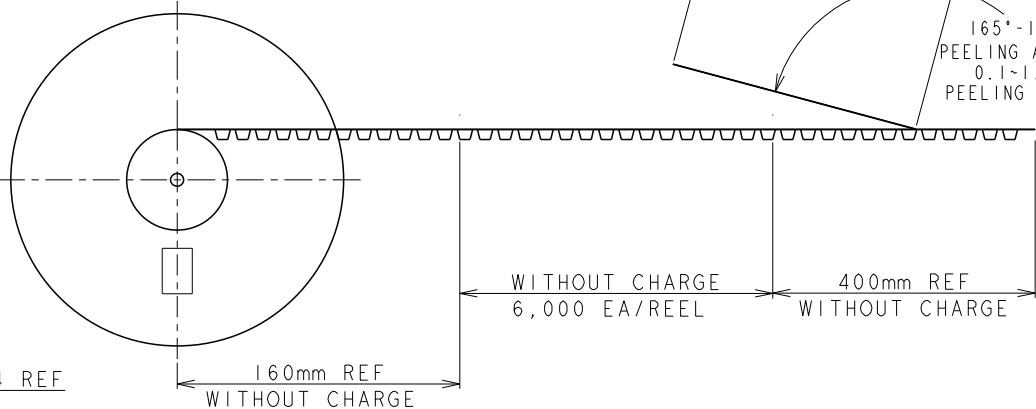
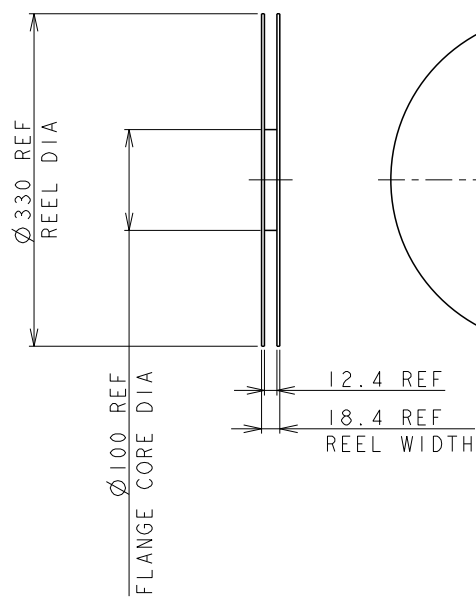
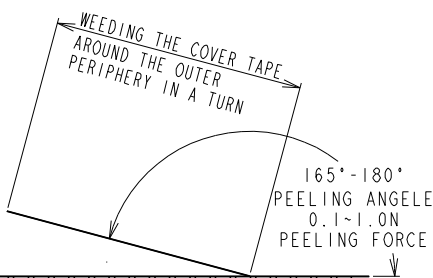
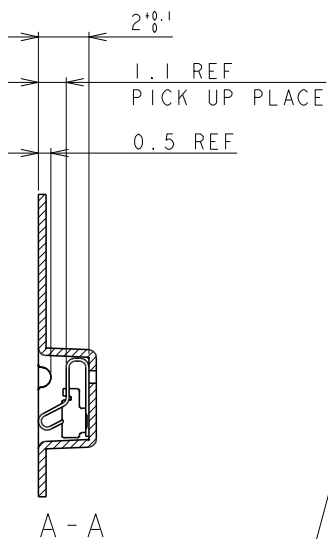
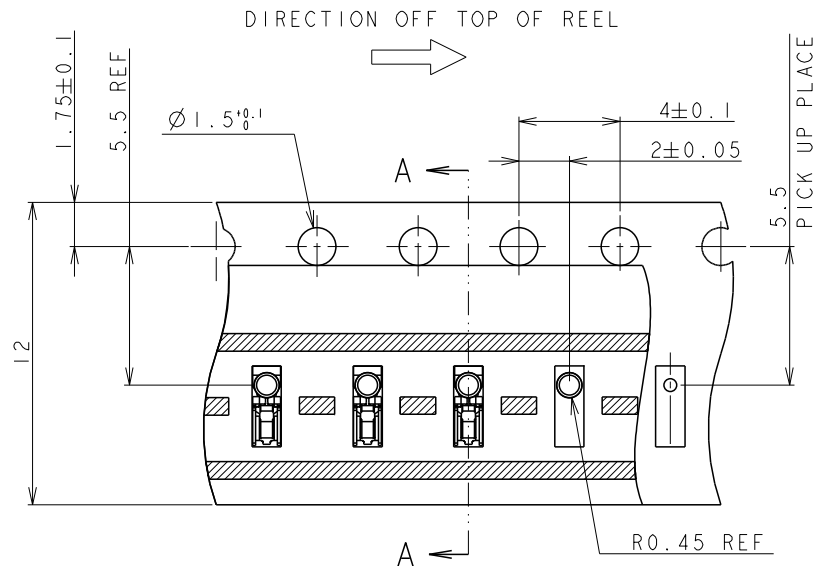
2

1

THIS DRAWING IS UNPUBLISHED. RELEASED FOR PUBLICATION 20
 © COPYRIGHT 20 BY - ALL RIGHTS RESERVED.

LOC J DIST -

REVISIONS				
P	LTR	DESCRIPTION	DATE	APVD
-	-	SEE SHEET 1	-	-



THIS DRAWING IS A CONTROLLED DOCUMENT.

DIMENSIONS: mm	TOLERANCES UNLESS OTHERWISE SPECIFIED: ±0.2	DWN Y. KUDO 06NOV2009	TE Connectivity SHIELD FINGER 2011		
	0-PLC ±	CHK C. OHASHI 06NOV2009			
	1-PLC ±0.5	APVD Y. NAKAZAWA 06NOV2009			
	2-PLC ±0.13	NAME -			
3-PLC ±0.013	PRODUCT SPEC 108-78724	SIZE	CAGE CODE	DRAWING NO	RESTRICTED TO
4-PLC ±0.000	APPLICATION SPEC	WEIGHT 0.0098 g	A300779	C=1554901	
ANGLES ±3°	FINISH	Customer Drawing			

SCALE 20:1 SHEET 2 OF 2 REV E

单击下面可查看定价，库存，交付和生命周期等信息

[>>TE Connectivity\(泰科\)](#)