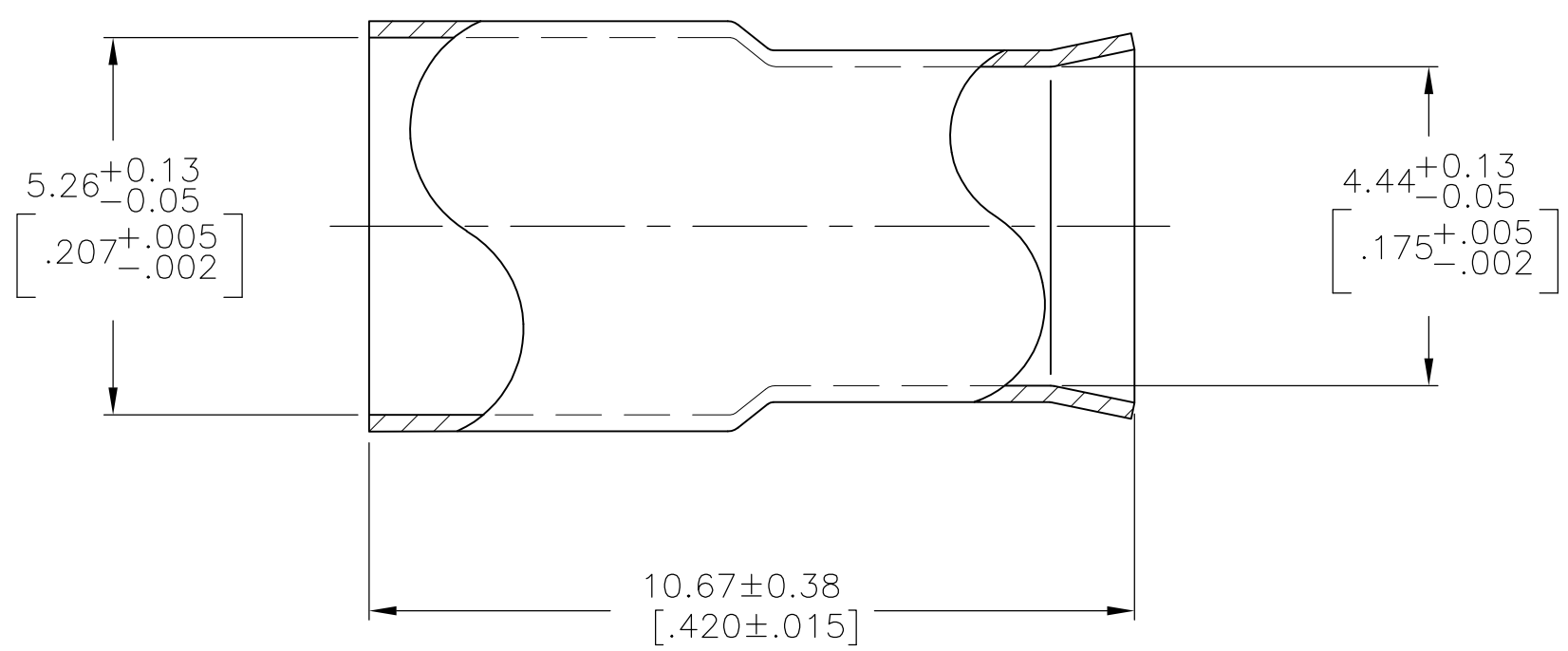


THIS DRAWING IS UNPUBLISHED. RELEASED FOR PUBLICATION  
 © COPYRIGHT - BY TYCO ELECTRONICS CORPORATION. ALL RIGHTS RESERVED.

LOC	DIST	REVISIONS					
AJ	19	P	LTR	DESCRIPTION	DATE	DWN	APVD
			AC2	REVISED PER ECO-10-008433	20MAY10	HMR	KW

- △1 SILVER PLATE PER QQ-S-365
- △2 TIN-LEAD PLATE PER ASTM-B-571



△1	9-328664-0
△2	2-328664-1
△1	328664
FINISH	PART NUMBER

THIS DRAWING IS A CONTROLLED DOCUMENT.		DWN B. WERNER 01-22-93	Tyco Electronics Corporation Harrisburg, PA 17105-3608													
DIMENSIONS: mm [INCHES]		CHK J. McLEOD 01-22-93	NAME													
TOLERANCES UNLESS OTHERWISE SPECIFIED:		APVD J. McLEOD 01-22-93	FERRULE, STEP-DOWN													
<table border="0"> <tr><td>0 PLC</td><td>± -</td></tr> <tr><td>1 PLC</td><td>± -</td></tr> <tr><td>2 PLC</td><td>± -</td></tr> <tr><td>3 PLC</td><td>± -</td></tr> <tr><td>4 PLC</td><td>± -</td></tr> <tr><td>ANGLES</td><td>± -</td></tr> </table>		0 PLC	± -	1 PLC	± -	2 PLC	± -	3 PLC	± -	4 PLC	± -	ANGLES	± -	PRODUCT SPEC -	SIZE A3	CAGE CODE 00779
0 PLC	± -															
1 PLC	± -															
2 PLC	± -															
3 PLC	± -															
4 PLC	± -															
ANGLES	± -															
MATERIAL COPPER ALLOY	FINISH SEE NOTES	APPLICATION SPEC -	DRAWING NO C-328664	RESTRICTED TO -												
CUSTOMER DRAWING			SCALE 10:1	SHEET 1 OF 1												
			REV AC2													

单击下面可查看定价，库存，交付和生命周期等信息

[>>TE Connectivity\(泰科\)](#)