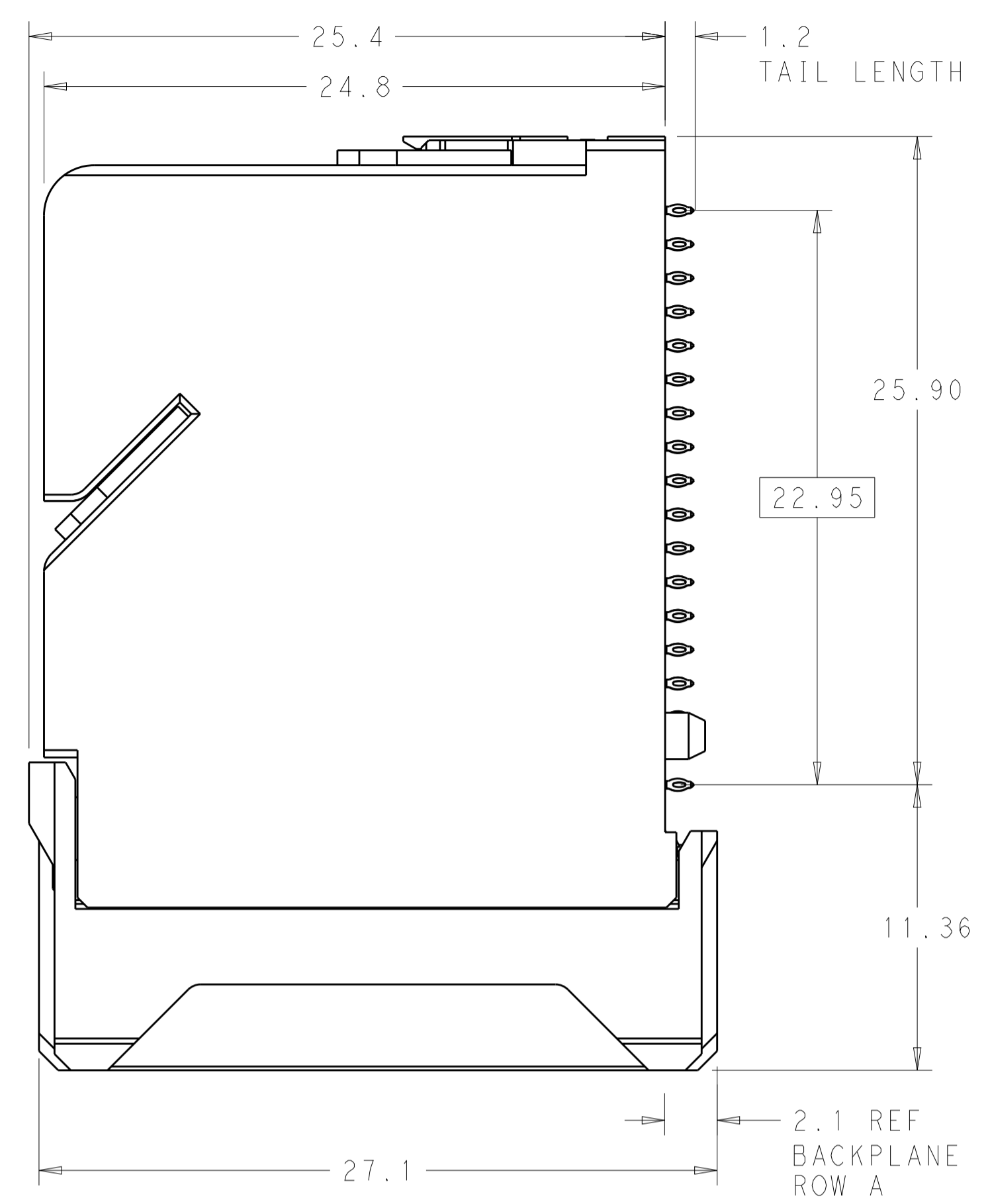
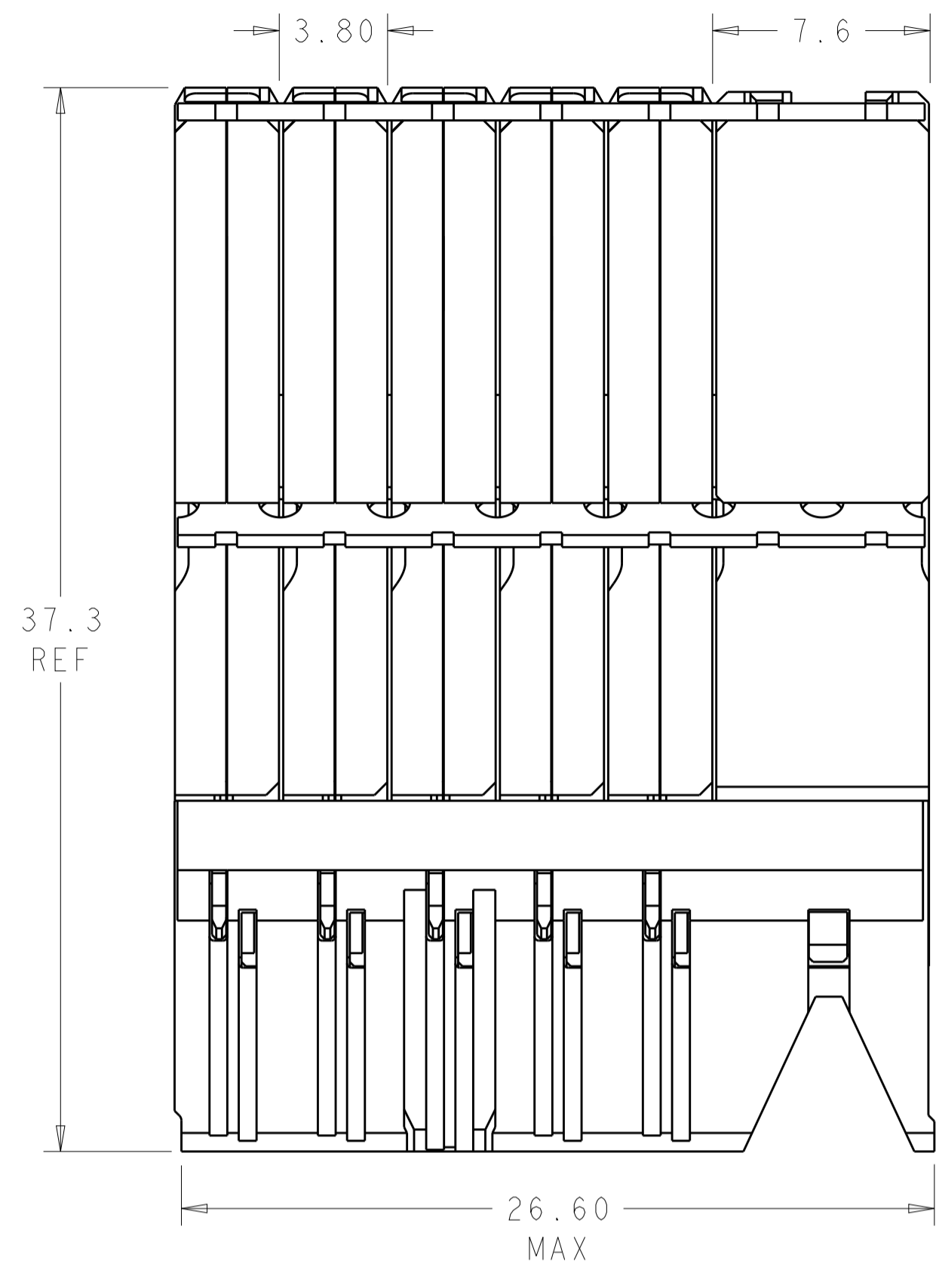
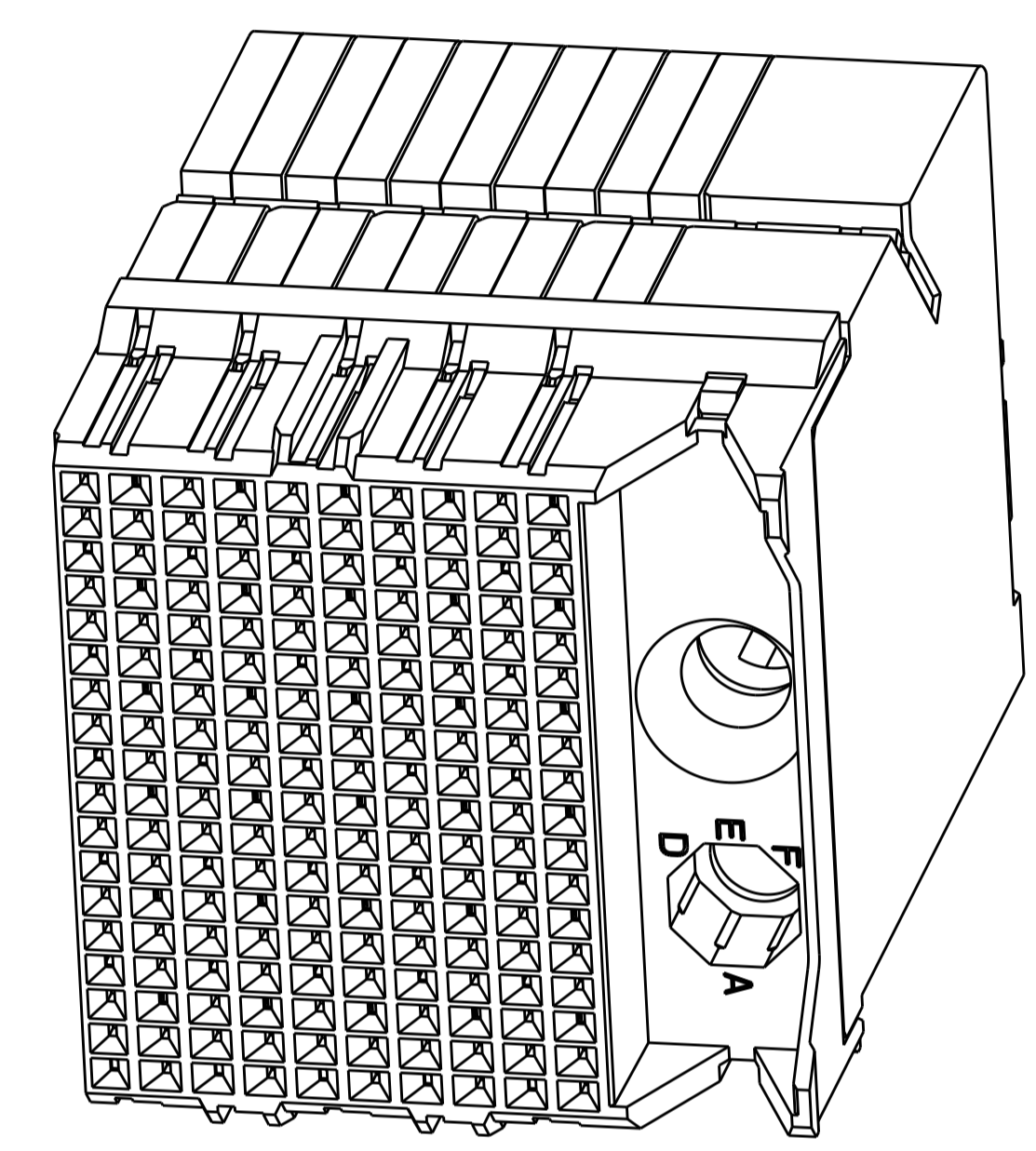


REVISIONS				
P.	LTN	DESCRIPTION	DATE	APVD
E		REVISED PER ECO-15-012351	03SEP2015	AP SY

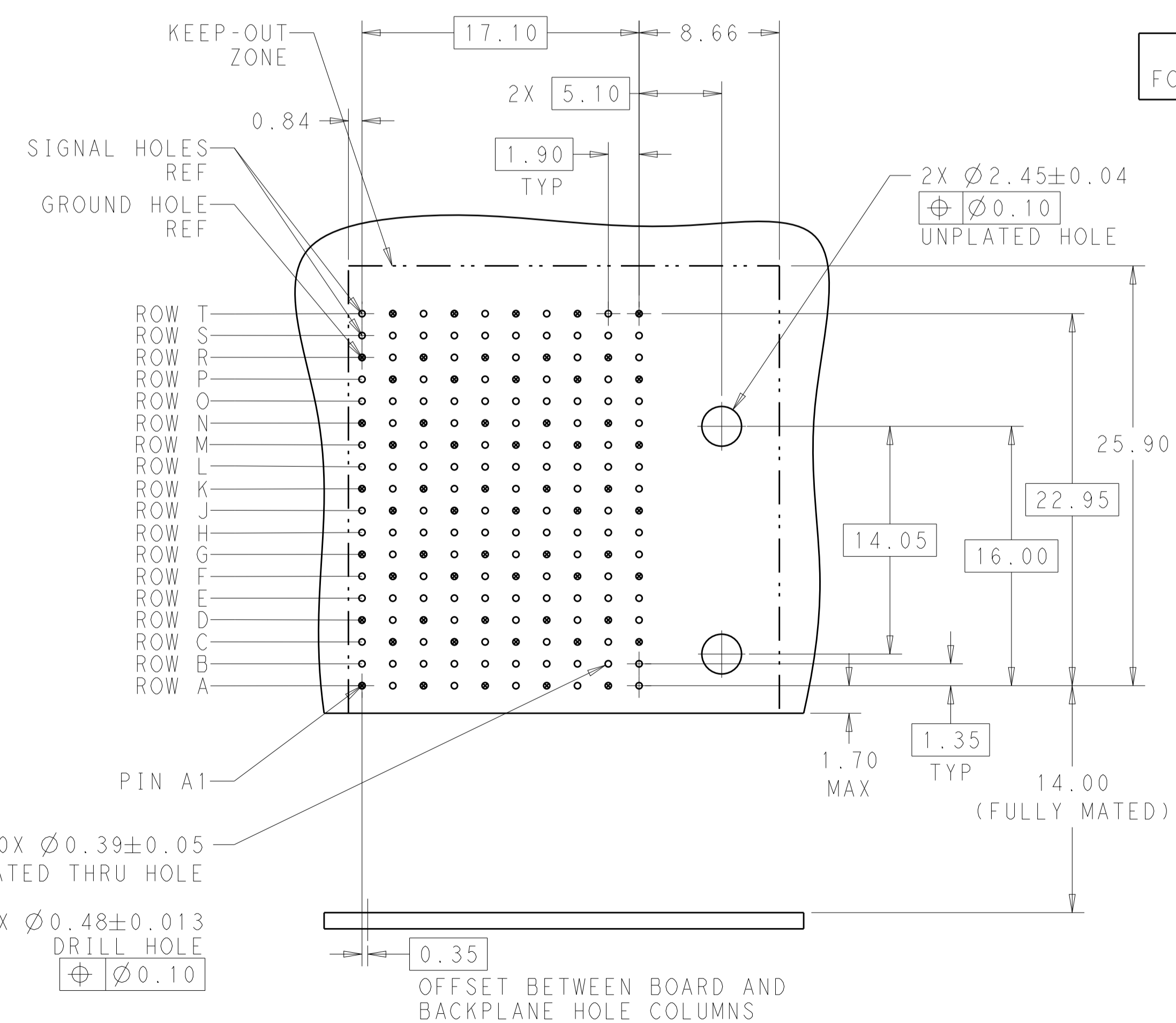
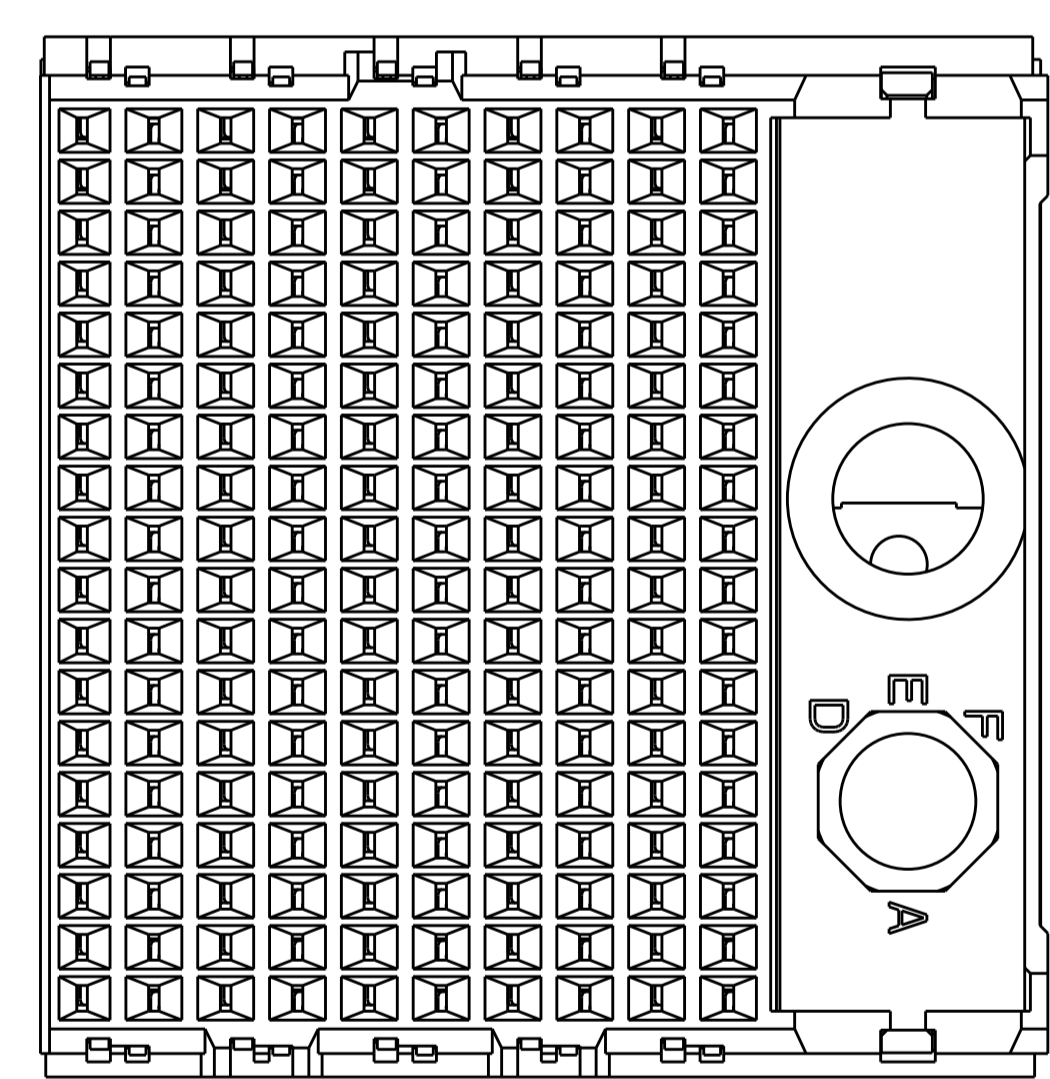


- ⚠ MATERIAL:
HOUSING: LCP, GLASS FILLED, UL94V-0.
TERMINALS: HIGH PERFORMANCE COPPER ALLOY.
- ⚠ FINISH:
30μ" SELECTIVE GOLD IN CONTACT AREA. SELECTIVE TIN ON PCB TAILS, NICKEL OVERALL.
- 3 CONNECTORS SUPPLIED WITH MOUNTING SCREWS.



SCALE 4:1

REFER TO WWW.TE.COM FOR PRODUCT AVAILABILITY



KEY POSITION CHART	
	NONE
	A
	B
	C
	D
	E
	F
	G
	H

KEY POSITION	FINISH	PART NUMBER
H	⚠	8-2007740-1
G	⚠	7-2007740-1
F	⚠	6-2007740-1
E	⚠	5-2007740-1
D	⚠	4-2007740-1
C	⚠	3-2007740-1
B	⚠	2-2007740-1
A	⚠	1-2007740-1
NONE	⚠	2007740-1

180X Ø0.39±0.05 PLATED THRU HOLE
 180X Ø0.48±0.013 DRILL HOLE
 Ø0.10

0.35 OFFSET BETWEEN BOARD AND BACKPLANE HOLE COLUMNS
 RECOMMENDED PCB LAYOUT
 MIN BOARD THICKNESS 1.0

THIS DRAWING IS A CONTROLLED DOCUMENT.		OWN: B. CARBO 17AUG2010	TE Connectivity
DIMENSIONS: mm		CHK: D. DIXON 17AUG2010	
TOLERANCES UNLESS OTHERWISE SPECIFIED:		APVD: D. DIXON 17AUG2010	NAME: IMPACT, STD, R/A, 6 PAIR, 10 COLUMN, DAUGHTERCARD, RIGHT GUIDED SIGNAL, 0.39 EYELET PRODUCT SPEC: - APPLICATION SPEC: - SIZE: CAGE CODE DRAWING NO: A100779C=2007740 WEIGHT: - MATERIAL: - FINISH: SEE TABLE
0 PLC ± 1 PLC ±0.2 2 PLC ±0.10 3 PLC ± 4 PLC ± ANGLES ±		CUSTOMER DRAWING SCALE: 5:1 SHEET 1 OF 1 REV E	

单击下面可查看定价，库存，交付和生命周期等信息

[>>TE Connectivity\(泰科\)](#)