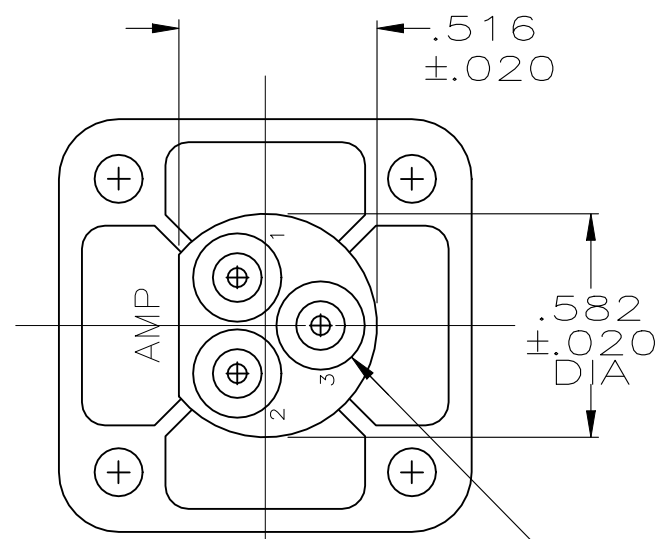
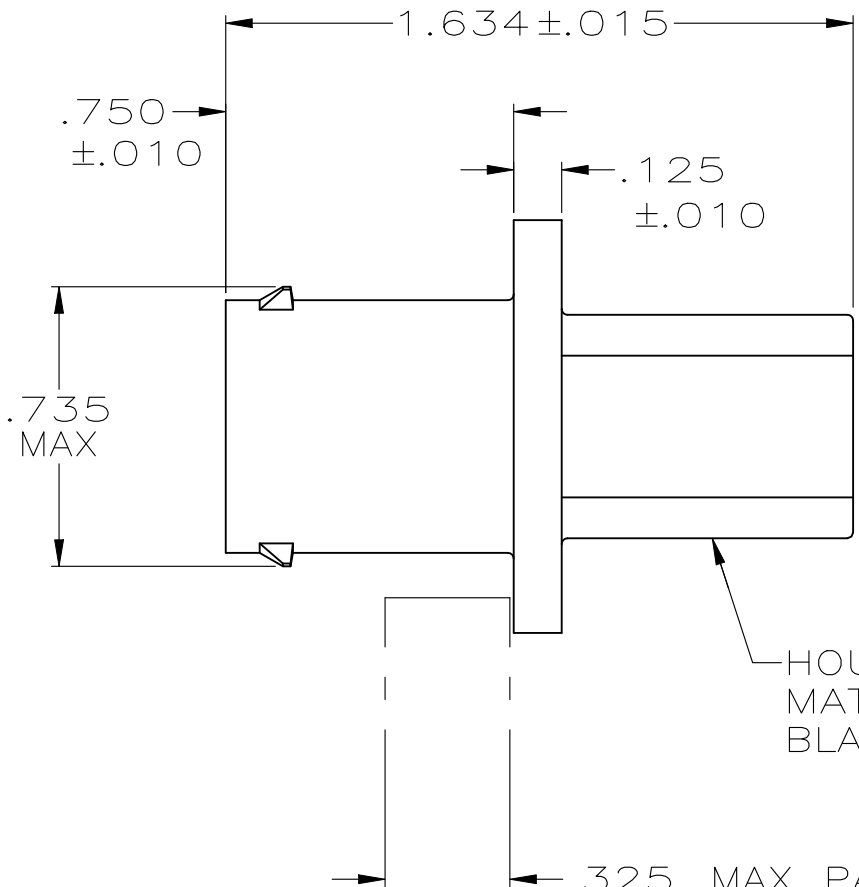
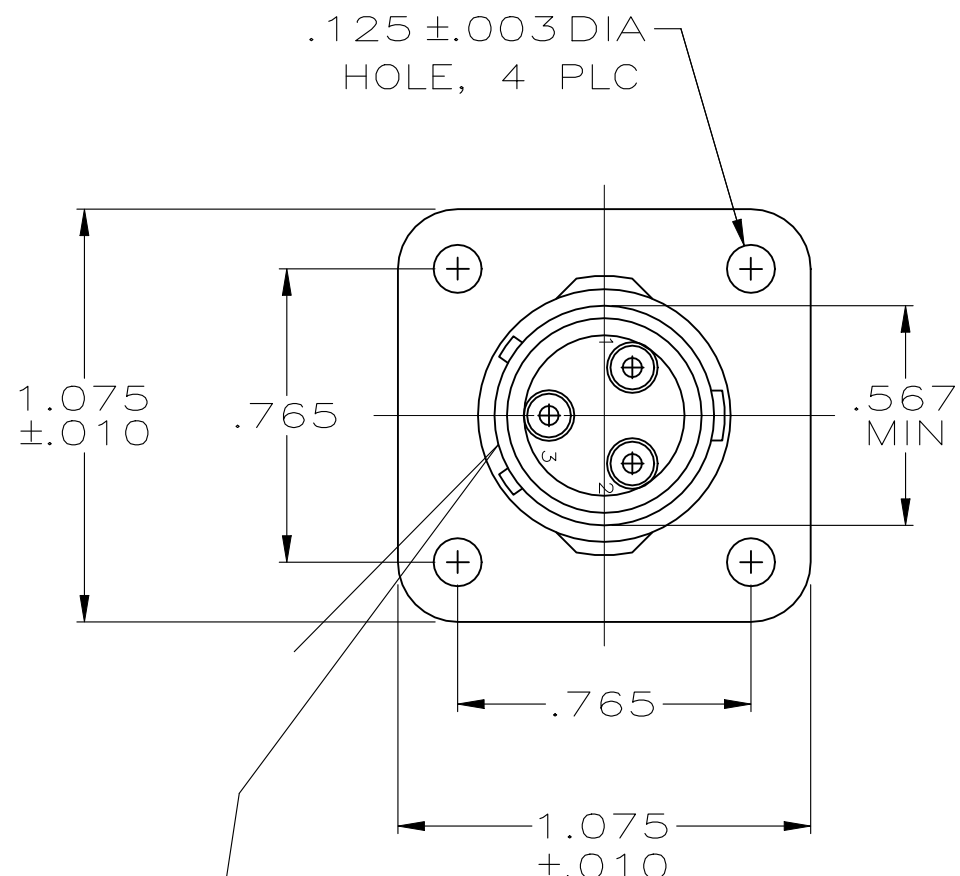


REVISIONS					
P	LTR	DESCRIPTION	DATE	DWN	APVD
	H	PER PCN E-20-018081	10MAR2021	SCK	

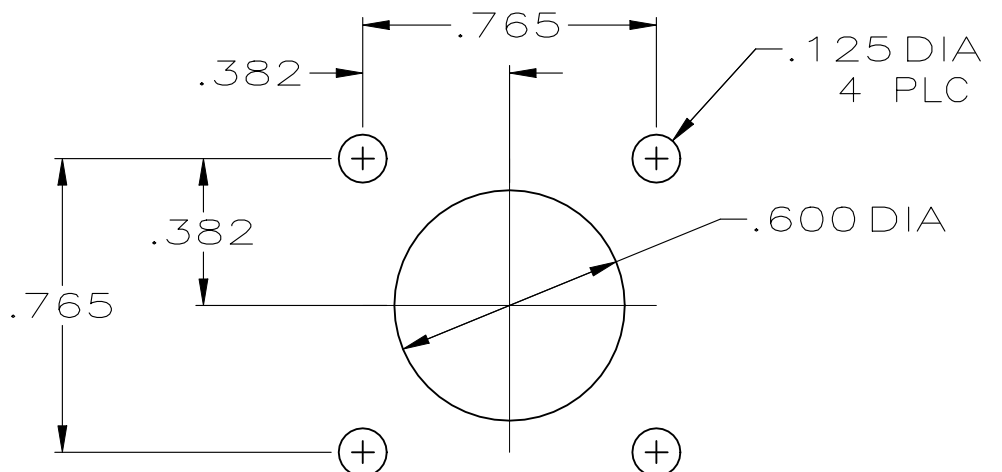


HOUSING MATERIAL: THERMOPLASTIC BLACK

DISCRETE WIRE SEALS (3) MATERIAL: ELASTOMER BLACK

PERIPHERAL SEAL MATERIAL: ELASTOMER BLACK

1. WIRE INSULATION SEALING RANGE .070-.130 DIA.
2. THIN MEMBRANE PERMISSIBLE ON SMALL DIAMETER OF WIRE SEALS.



RECOMMENDED PANEL CUTOUT

207807-1
PART NUMBER

THIS DRAWING IS A CONTROLLED DOCUMENT.		DWN	8-21-90		 TE Connectivity			
		J	GALLUCCI BG					
		CHK	-					
		APVD	-					
DIMENSIONS: INCHES		TOLERANCES UNLESS OTHERWISE SPECIFIED:		NAME				
		0 PLC	± -		ECONOSEAL, SQUARE FLANGE RECEPTACLE, SHELL SIZE 10, 3 POSITION, PIN CONTACTS			
		1 PLC	± -					
		2 PLC	± -					
		3 PLC	± .005					
		4 PLC	± -		SIZE	CAGE CODE	DRAWING NO	RESTRICTED TO
		ANGLES	± -					
MATERIAL		FINISH		WEIGHT		A300779		C-207807
SEE CALLOUT		-		0.000000		SCALE		2:1
CUSTOMER DRAWING				SHEET		1 OF 1		REV
								H

单击下面可查看定价，库存，交付和生命周期等信息

[>>TE Connectivity\(泰科\)](#)