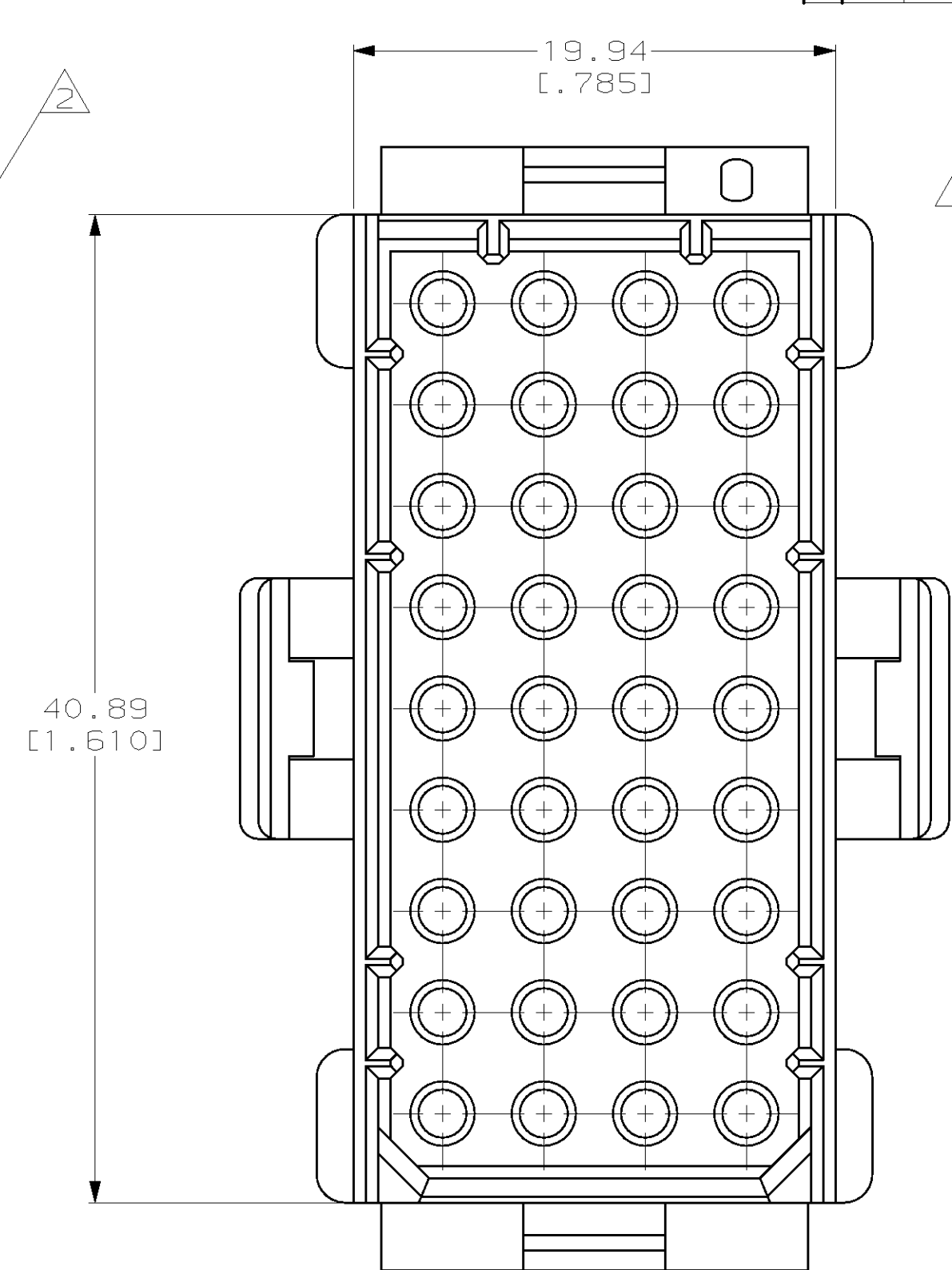
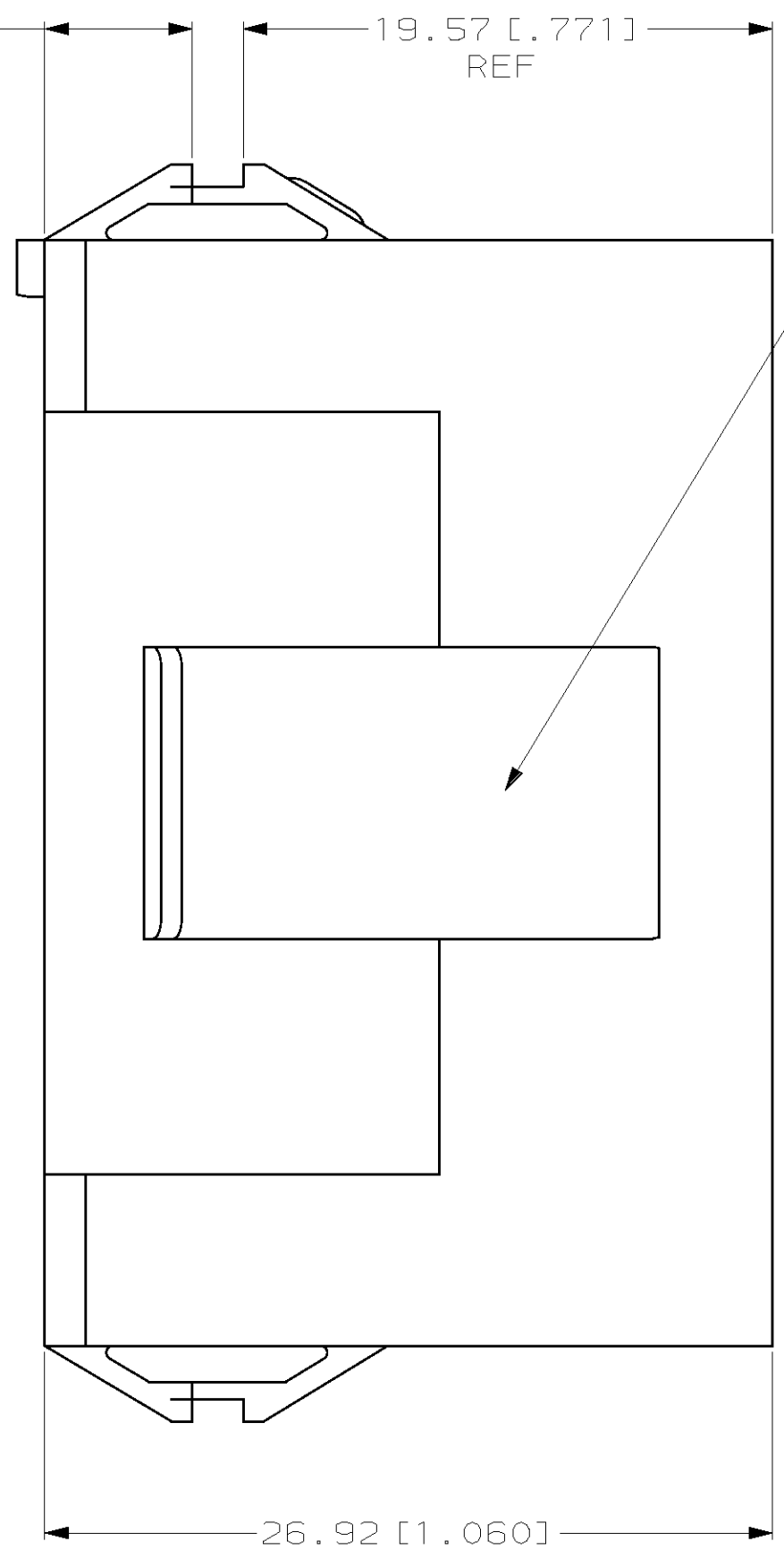
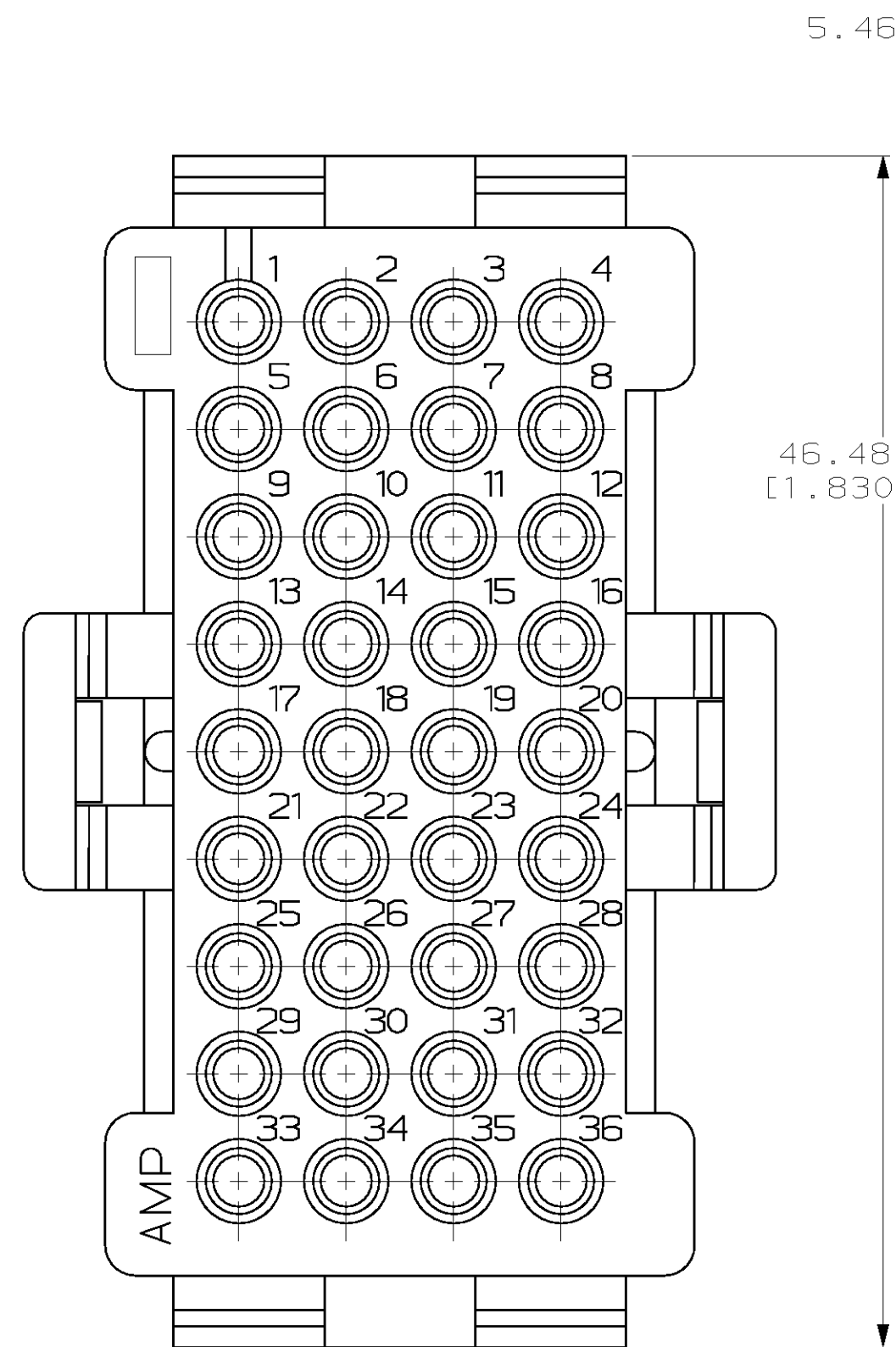
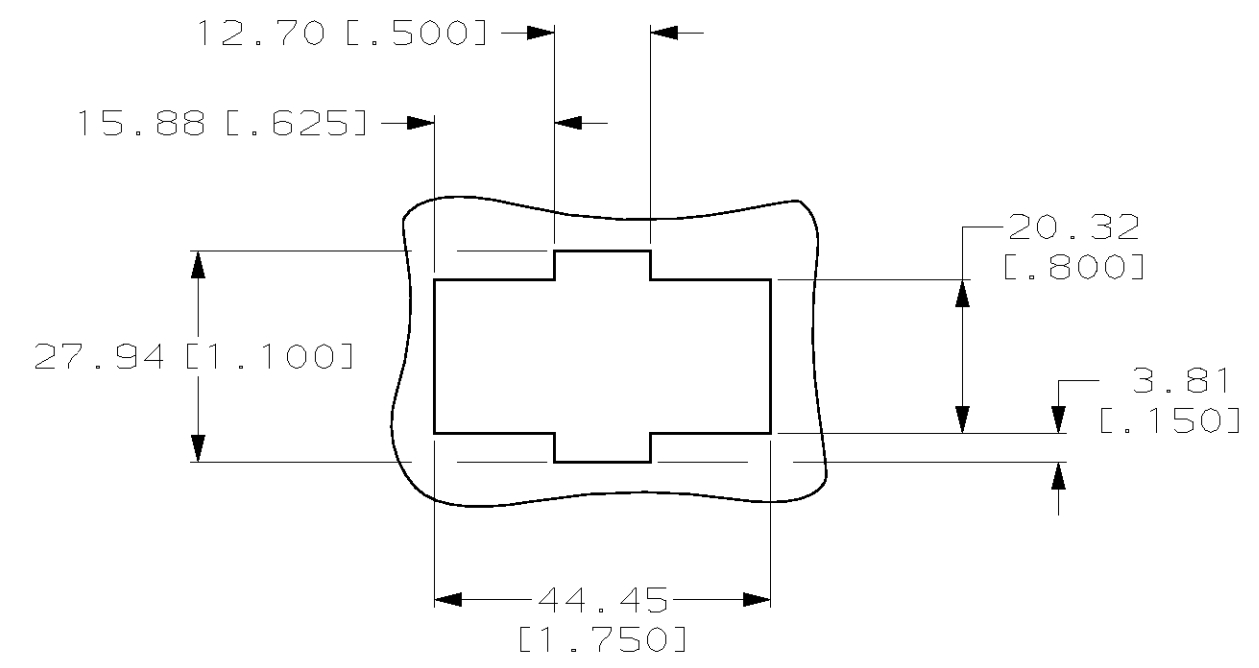
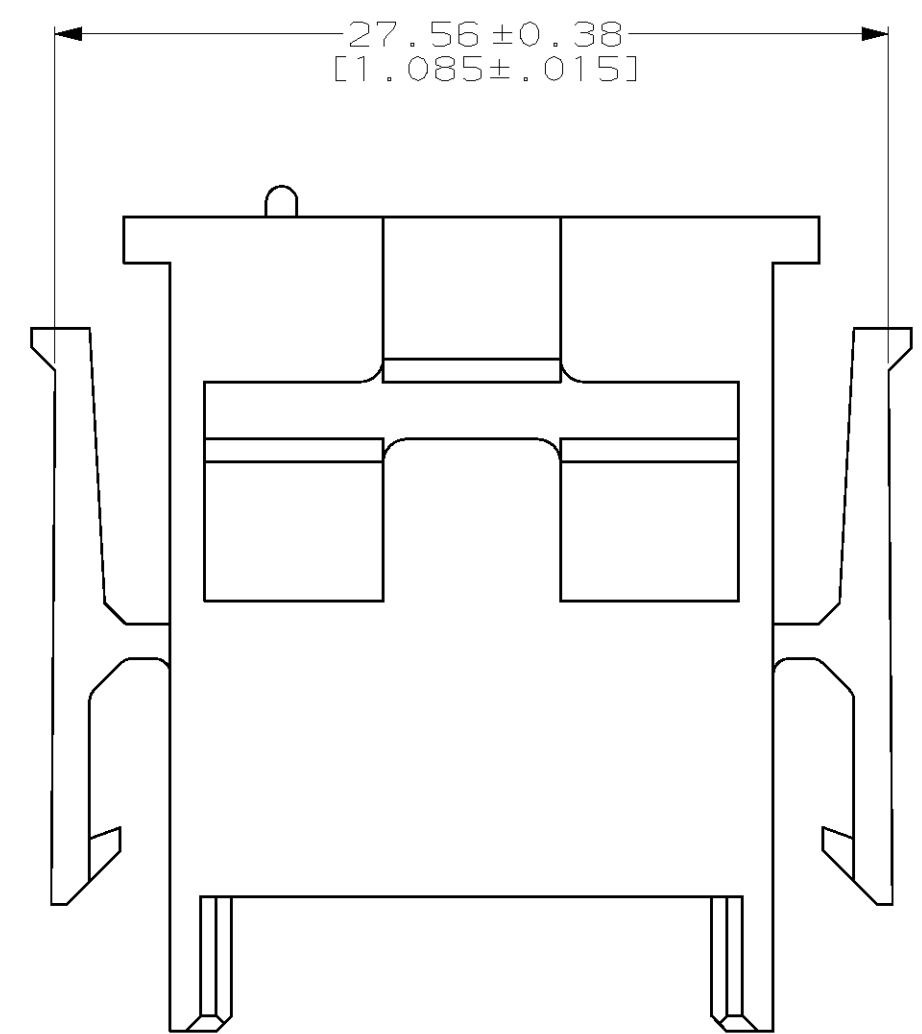


THIS DRAWING IS UNPUBLISHED. RELEASED FOR PUBLICATION
 BY AMP INCORPORATED. ALL RIGHTS RESERVED.

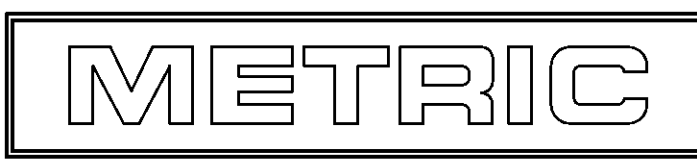
LOC	DIST	REVISIONS			
P	LTR	DESCRIPTION	DATE	DWN	APVD
CM	52				
D		REV PER EC 0L30-0015-97	2-21-97	JH	RS



- MATES WITH HOUSING 640526.
- UL LOGO AND CSA LOGO TO APPEAR ON EITHER LATCH SURFACE PER AMP SPEC 202-20, I.D. NO. 1-18838-3 AND 1-18839-3. FROST BACKGROUND OPTIONAL.
- DIMENSIONS IN BRACKETS ARE IN INCHES.



RECOMMENDED CUT OUT
 FOR 1.73 [.068] MAX THICK PANEL
 SCALE 1:1



1-640516-0
 PART NUMBER

THIS DRAWING IS A CONTROLLED DOCUMENT.		DWN R. VESTAL 7-12-96	AMP Incorporated Harrisburg, PA 17105-3608		
DIMENSIONS: mm [INCHES]		CHK R. SWING 7-12-96	NAME HOUSING, CAP MRII 36 POSITION		
TOLERANCES UNLESS OTHERWISE SPECIFIED:		APVD A. BEDDICK 7-12-96	PRODUCT SPEC 114-1014		
0 PLC ±	1 PLC ±	APPLICATION SPEC 108-1022		SIZE A2	CAGE CODE 00779
2 PLC ±0.13 [.005]	3 PLC ±	WEIGHT -		DRAWING NO C-640516	
4 PLC ±	ANGLES ±0°30'	CUSTOMER DRAWING		SCALE 4:1	SHEET 1 OF 1
MATERIAL NYLON, UL 94V-0, NATURAL (BRICK RED)	FINISH -	REV D			

单击下面可查看定价，库存，交付和生命周期等信息

[>>TE Connectivity\(泰科\)](#)