

4

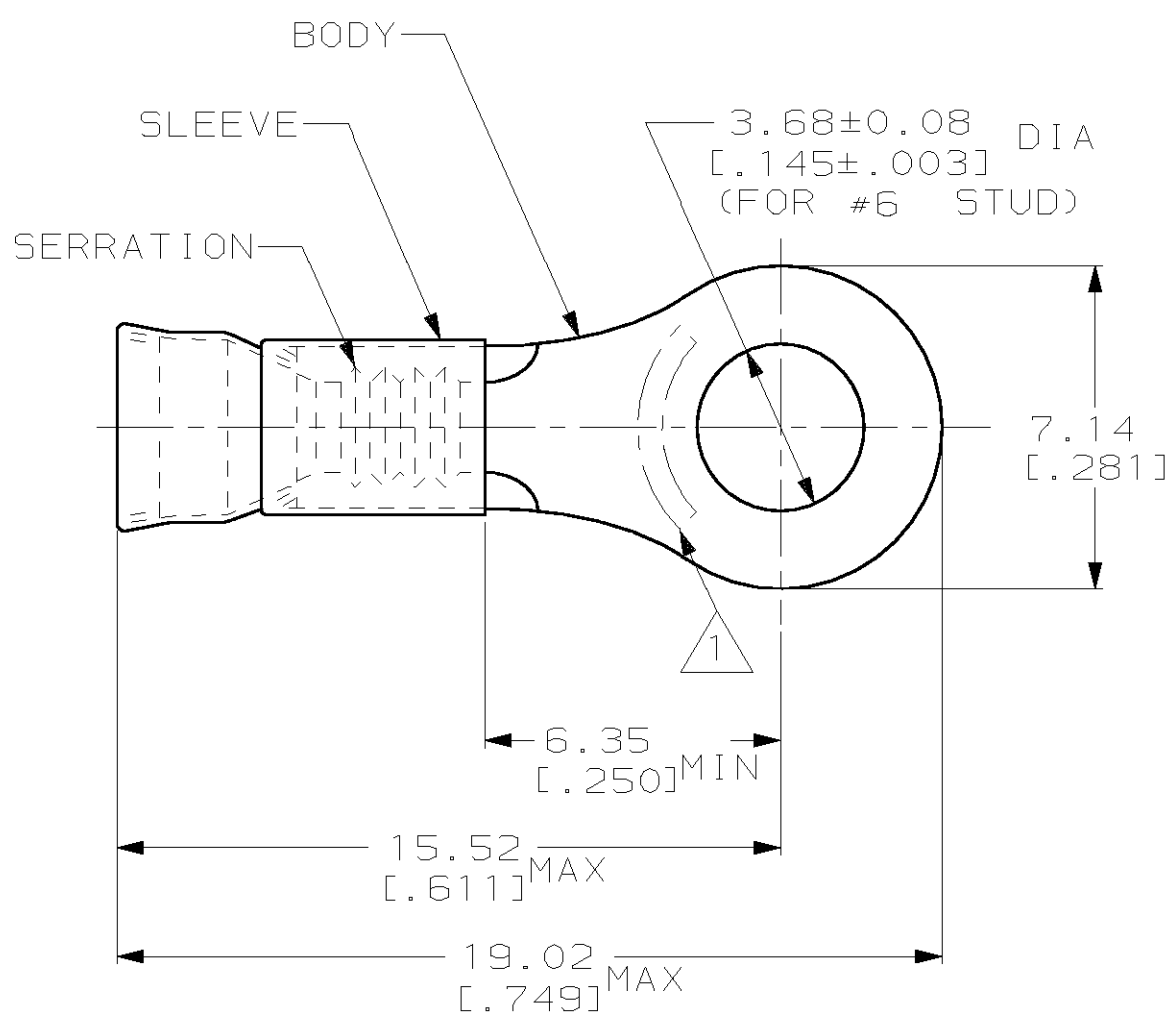
3

2

1

THIS DRAWING IS UNPUBLISHED. RELEASED FOR PUBLICATION .19 .
 © COPYRIGHT 19 BY AMP INCORPORATED. ALL RIGHTS RESERVED.

LOC	DIST	REVISIONS					
		P	LTR	DESCRIPTION	DATE	DWN	APVD
G	14		M	REL PER 0G3A-0762-00	21NOV00	JR	MS



- 1 STAMP AMP 22-18*APPROX AS SHOWN
22-16 TERMINALS ARE STAMPED 22-18 IN ACCORDANCE WITH MILITARY SPEC MIL-T-7928 COMMERCIAL WIRE RANGE IS 22-16
- 2. WIRE INSUL DIA, 2.67-3.56 [.105-.140]
- 3. TONGUE MATL THK, 0.79±0.05 [.031±.002]
- 4 BODY, NICKEL-PLATE PER QQ-N-290.
- 5 BODY, GOLD-PLATE WITH NICKEL UNDERPLATE PER ASTM B-488.

FINISH	QTY	PACKAGE TYPE	PART NO
4	5000	ON TAPE, REEL	2-323199-1
5	1000	LOOSE PIECE	323199-1
4	1000	LOOSE PIECE	323199

AMP INCORPORATED
 CUSTOMER SERVICE SYSTEM

FOR ADDITIONAL PRODUCT INFORMATION OR COPIES OF DRAWINGS AND TECHNICAL DOCUMENTS
 PRODUCT INFORMATION CENTER
 1-800-522-6752

FOR APPLICATION TOOLING INFORMATION
 TOOLING ASSISTANCE CENTER
 1-800-722-1111

FOR ORDER ENTRY
 1-800-526-5142

MAX RECOMMENDED OPERATING TEMPERATURE:
 343°C [650°F]

VOLTAGE RATING:
 -

CIRCULAR MIL AREA:
 0.26mm²-1.65mm² [509-3260]

STRANDED WIRE

THIS DRAWING IS A CONTROLLED DOCUMENT FOR AMP INCORPORATED. IT IS SUBJECT TO CHANGE AND THE CONTROLLING ENGINEERING ORGANIZATION SHOULD BE CONTACTED FOR THE LATEST REVISION.

DIMENSIONS:
 mm [in]

TOLERANCES UNLESS OTHERWISE SPECIFIED:

0 PLC	±-
1 PLC	±-
2 PLC	±0.20 [.008]
3 PLC	±-
4 PLC	±-
ANGLES	±-

MATERIAL
 BODY, CU PER ASTM B152
 SLEEVE, NI SIL PER ASTM B122

FINISH
 SEE TABLE

DWN L OLMEDA 100CT94	AMP Incorporated Harrisburg, PA 17105-3608
CHK M ELLIS 100CT94	
APVD S BORTNER 100CT94	
PRODUCT SPEC -	
APPLICATION SPEC -	NAME TERMINAL, RING TONGUE, STRATOTHERM, DIAMOND GRIP, WIRE SIZE, 22-16 AWG
WEIGHT -	SIZE A3
CUSTOMER DRAWING	CAGE CODE 00779
	DRAWING NO C-323199
	SCALE 6:1
	SHEET 1 OF 1
	REV M

单击下面可查看定价，库存，交付和生命周期等信息

[>>TE Connectivity\(泰科\)](#)