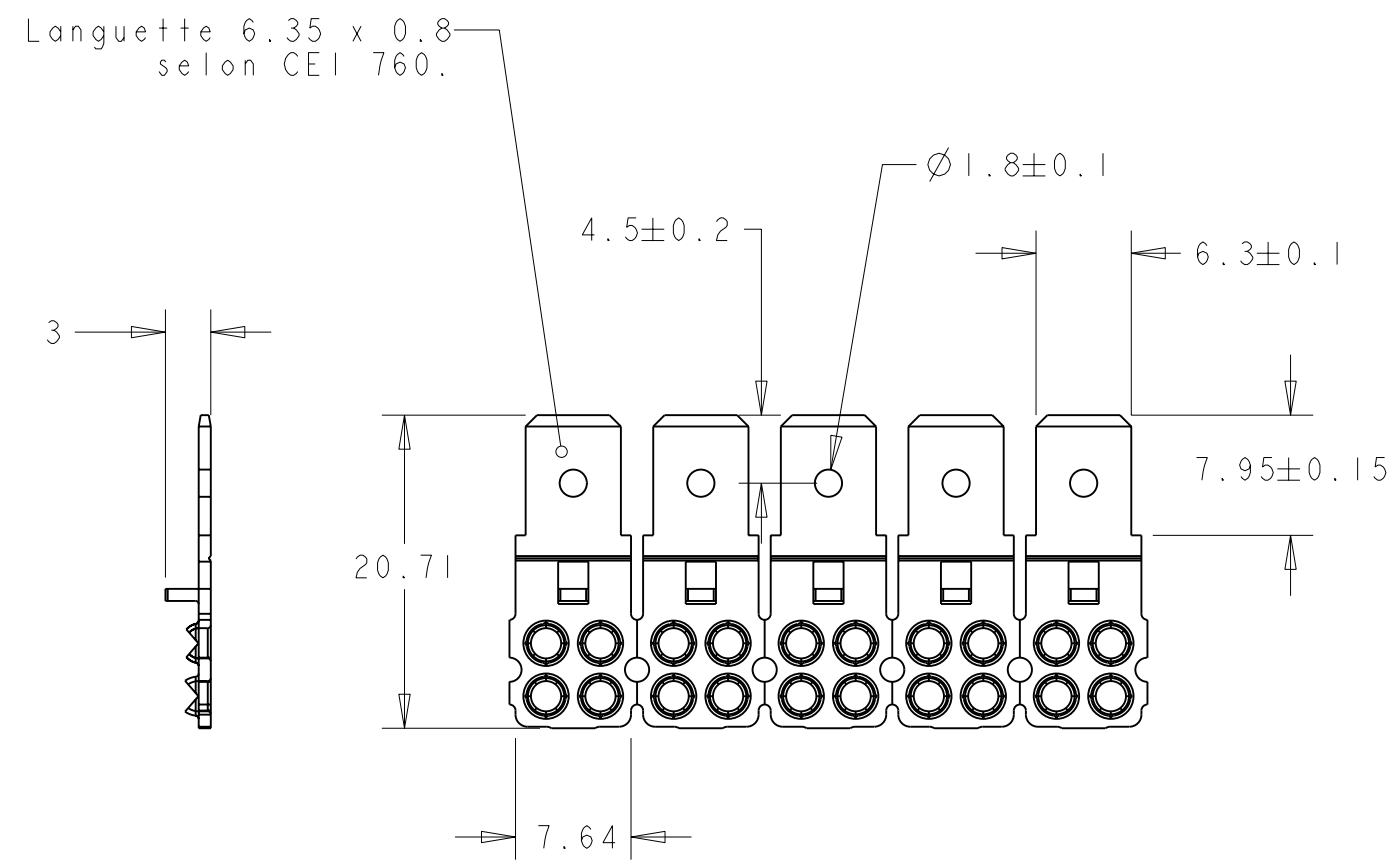


THIS DRAWING IS UNPUBLISHED.
 DIFFUSION RESTREINTE AMP

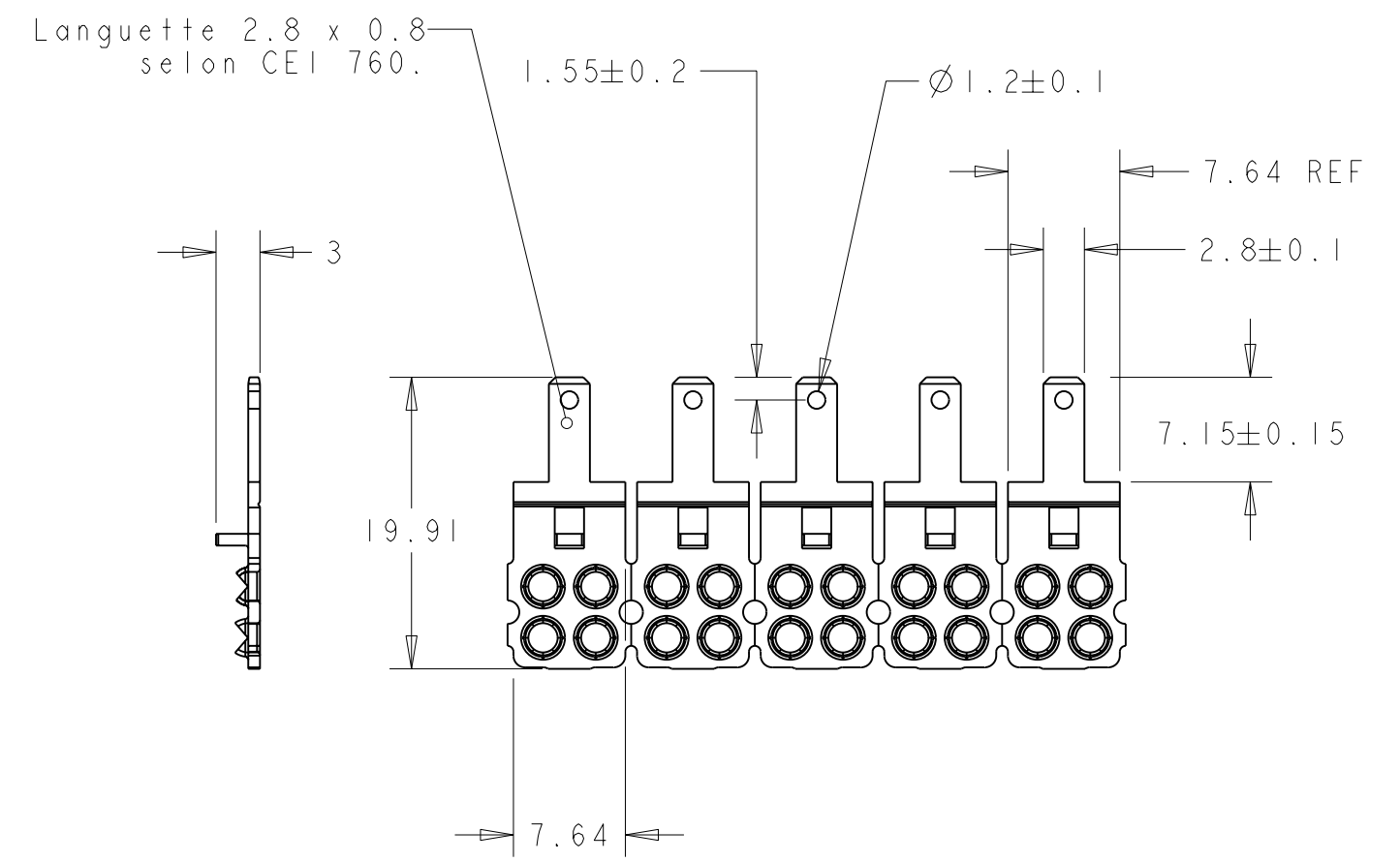
RELEASED FOR PUBLICATION
 LIBRE A LA DIFFUSION

© COPYRIGHT 19 BY TYCO ELECTRONICS CORPORATION. ALL RIGHTS RESERVED.
 TOUS DROITS RESERVES

LOC	DIST	REVISIONS			
P	LTR REV	DESCRIPTION MODIFICATIONS	DATE	DWN DESS.	APVD APP.
F	14	A	CREATION	05OCT2009	GM CG



REFERENCE 136558-2



REFERENCE 136556-2

<small>THIS DRAWING IS A CONTROLLED DOCUMENT FOR TYCO ELECTRONICS CORPORATION IT IS SUBJECT TO CHANGE AND THE CONTROLLING ENGINEERING ORGANIZATION SHOULD BE CONTACTED FOR THE LATEST REVISION.</small> <small>CE PLAN EST UN DOCUMENT CONTROLE PAR AMP INCORPORATED. IL EST SUSCEPTIBLE D'ETRE REVISE. CONTACTER LE SERVICE TECHNIQUE D'AMP DE FRANCE POUR OBTENIR LA DERNIERE REVISION.</small>		DWN/DESSINE 28SEP99 G. ROBERT		TYCO ELECTRONICS France SAS BP 39, 95301 CERGY-PONTOISE Cedex	
DIMENSIONS: mm		TOLERANCES UNLESS OTHERWISE SPECIFIED: TOLERANCES NON SPECIFIEES (SUIV NB DE DECIMALES): 0 PLC/DEC: ±- 1 PLC/DEC: ±0.5 2 PLC/DEC: ±0.13 3 PLC/DEC: ±0.013 4 PLC/DEC: ±0.0001 ANGLES ±-		NAME TITRE - TERMIFOIL VERSION RENFORCEE	
		APVD/APPROUVE 28SEP99 Y. PETRONIN		PRODUCT SPEC 108-15XXX	
MATERIAL /MATIERE CUIVRE		FINISH /FINITION ETAIN		APPLICATION SPEC 114-15XXX	
WEIGHT MASSE APPROX. -		SIZE FORMAT A3		CAGE CODE 00779	
CUSTOMER DRAWING /PLAN CLIENT		UNIQUEMENT POUR REFERENCE		DRAWING NO No PLAN C=136556	
SCALE ECHELLE 2:1		SHEET FEUILLE 1 OF DE 2		RESTRICTED TO RESERVE A -	

4

3

2

1

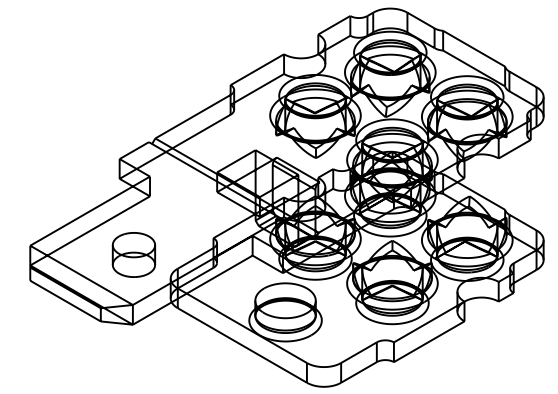
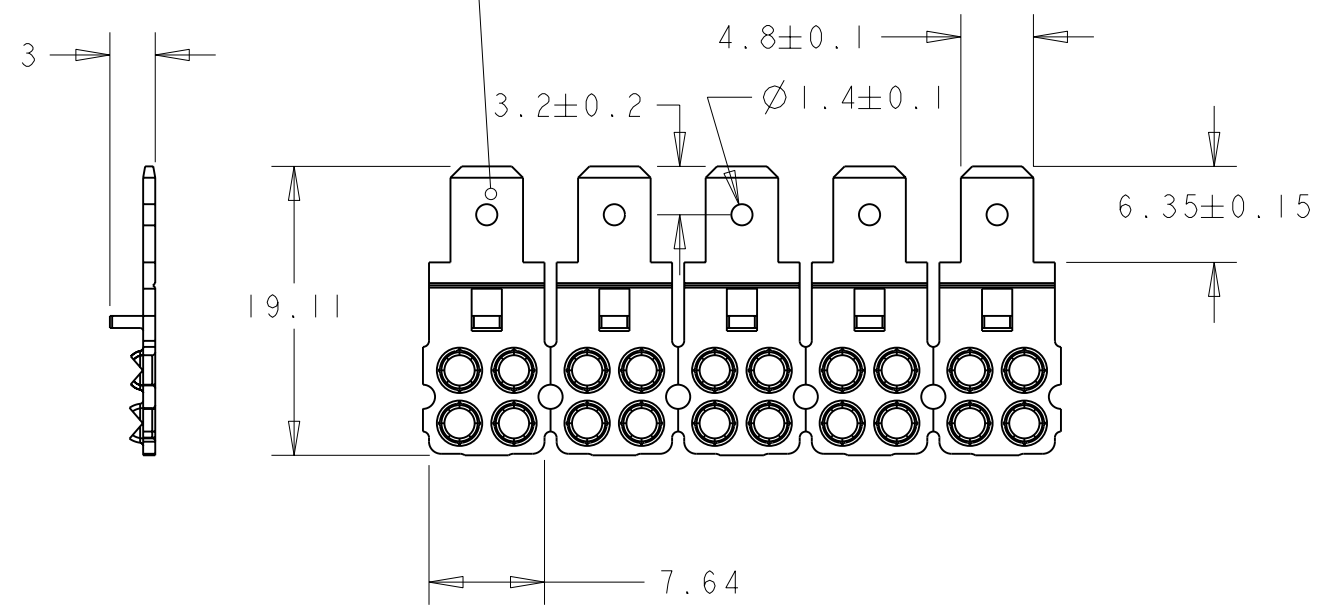
THIS DRAWING IS UNPUBLISHED.
 DIFFUSION RESTREINTE AMP

RELEASED FOR PUBLICATION
 LIBRE A LA DIFFUSION

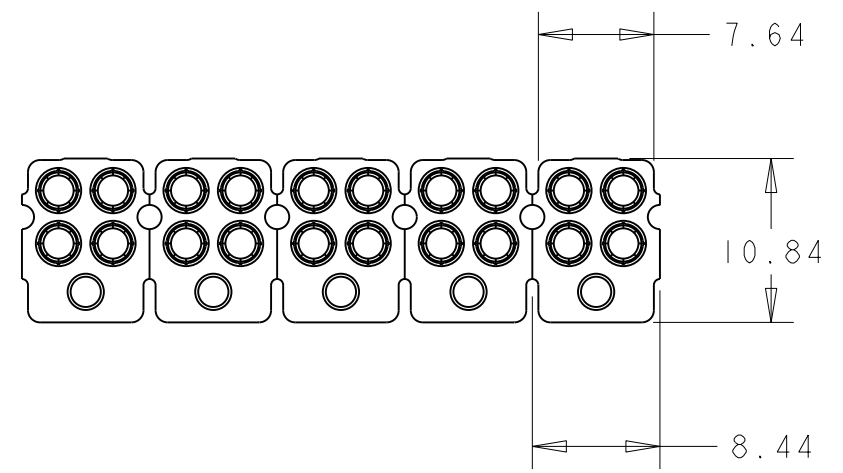
© COPYRIGHT 19 BY TYCO ELECTRONICS CORPORATION. ALL RIGHTS RESERVED.
 TOUS DROITS RESERVES

LOC	DIST	REVISIONS				
P	LTR	REV	DESCRIPTION MODIFICATIONS	DATE	DWN DESS.	APVD APP.
F	14	-	SEE SHEET 1	-	-	-

Langulette 4.75 x 0.8
 selon CEI 760.

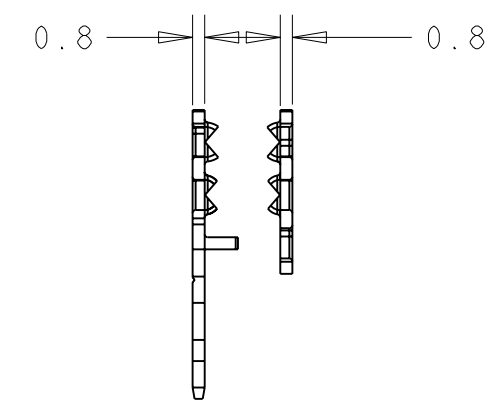


REFERENCE 136557-2

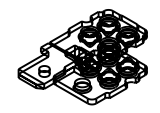


REFERENCE 136559-2

8.5 MAXI.
 APRES APPLICATION.



ECHELLE 2:1



ECHELLE 1:1

<small>THIS DRAWING IS A CONTROLLED DOCUMENT FOR TYCO ELECTRONICS CORPORATION IT IS SUBJECT TO CHANGE AND THE CONTROLLING ENGINEERING ORGANIZATION SHOULD BE CONTACTED FOR THE LATEST REVISION. CE PLAN EST UN DOCUMENT CONTROLE PAR AMP INCORPORATED. IL EST SUSCEPTIBLE D'ETRE REVISE. CONTACTER LE SERVICE TECHNIQUE D'AMP DE FRANCE POUR OBTENIR LA DERNIERE REVISION.</small>		DWN/DESSINE 28SEP99 G. ROBERT		TYCO ELECTRONICS France SAS BP 39, 95301 CERGY-PONTOISE Cedex	
DIMENSIONS: mm		TOLERANCES UNLESS OTHERWISE SPECIFIED: TOLERANCES NON SPECIFIEES (SUIV NB DE DECIMALES): 0 PLC/DEC: ±- 1 PLC/DEC: ±0.5 2 PLC/DEC: ±0.13 3 PLC/DEC: ±0.013 4 PLC/DEC: ±0.0001 ANGLES ±-		NAME TITRE	
		MATERIAL / MATIERE CUIVRE		FINISH / FINITION ETAIN	
PRODUCT SPEC SPEC, PRODUIT 108-15XXX		APPLICATION SPEC SPEC, APPLICATION 114-15XXX		SIZE FORMAT A3	
WEIGHT MASSE APPROX.		CAGE CODE 00779		DRAWING NO No PLAN C=136556	
CUSTOMER DRAWING / PLAN CLIENT		UNIQUEMENT POUR REFERENCE		SCALE ECHELLE 2:1	
SHEET FEUILLE 2		OF DE 2		REV A	

单击下面可查看定价，库存，交付和生命周期等信息

[>>TE Connectivity\(泰科\)](#)