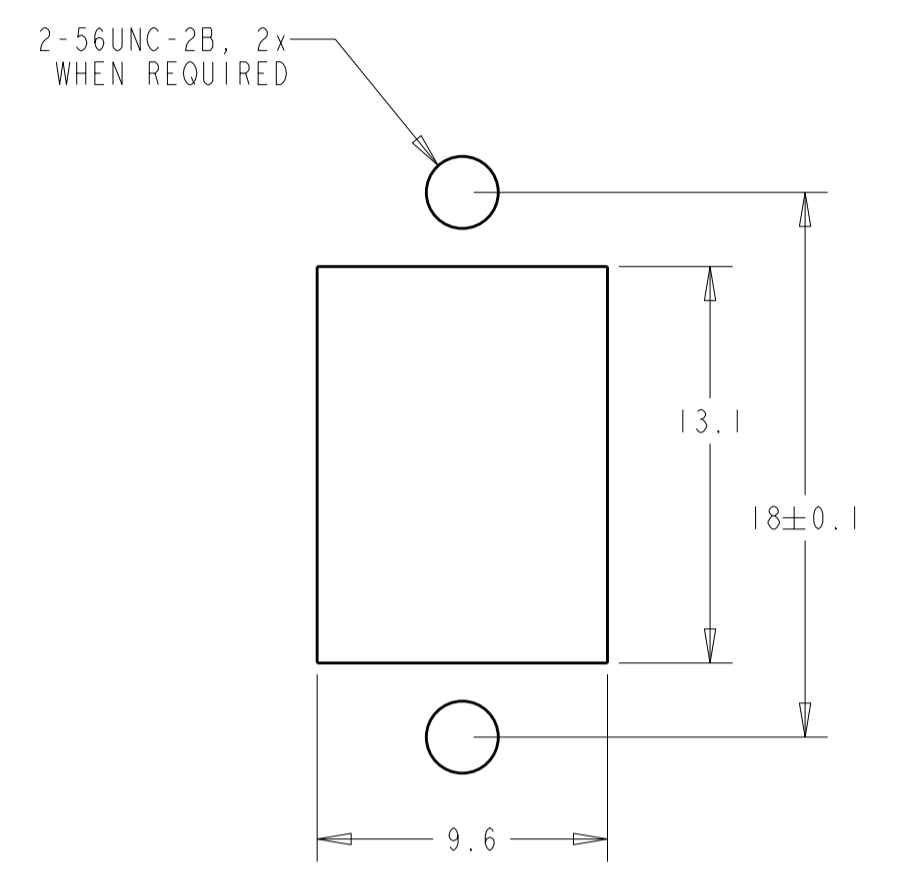
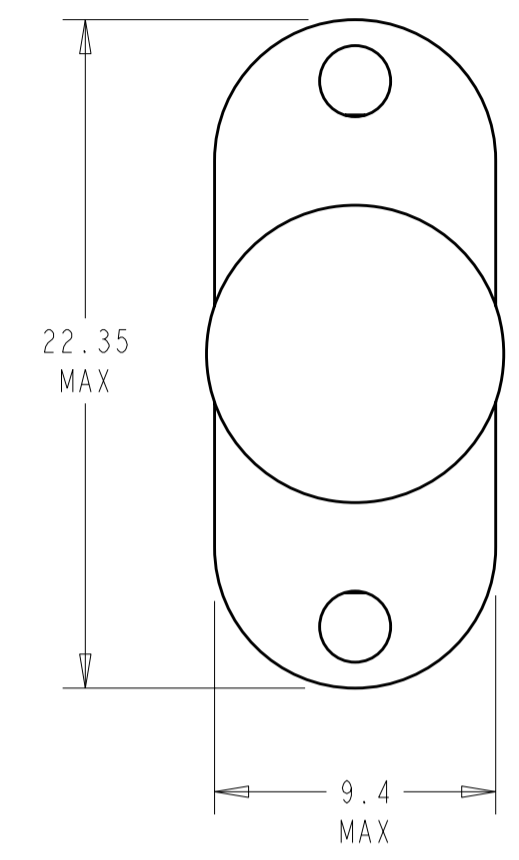
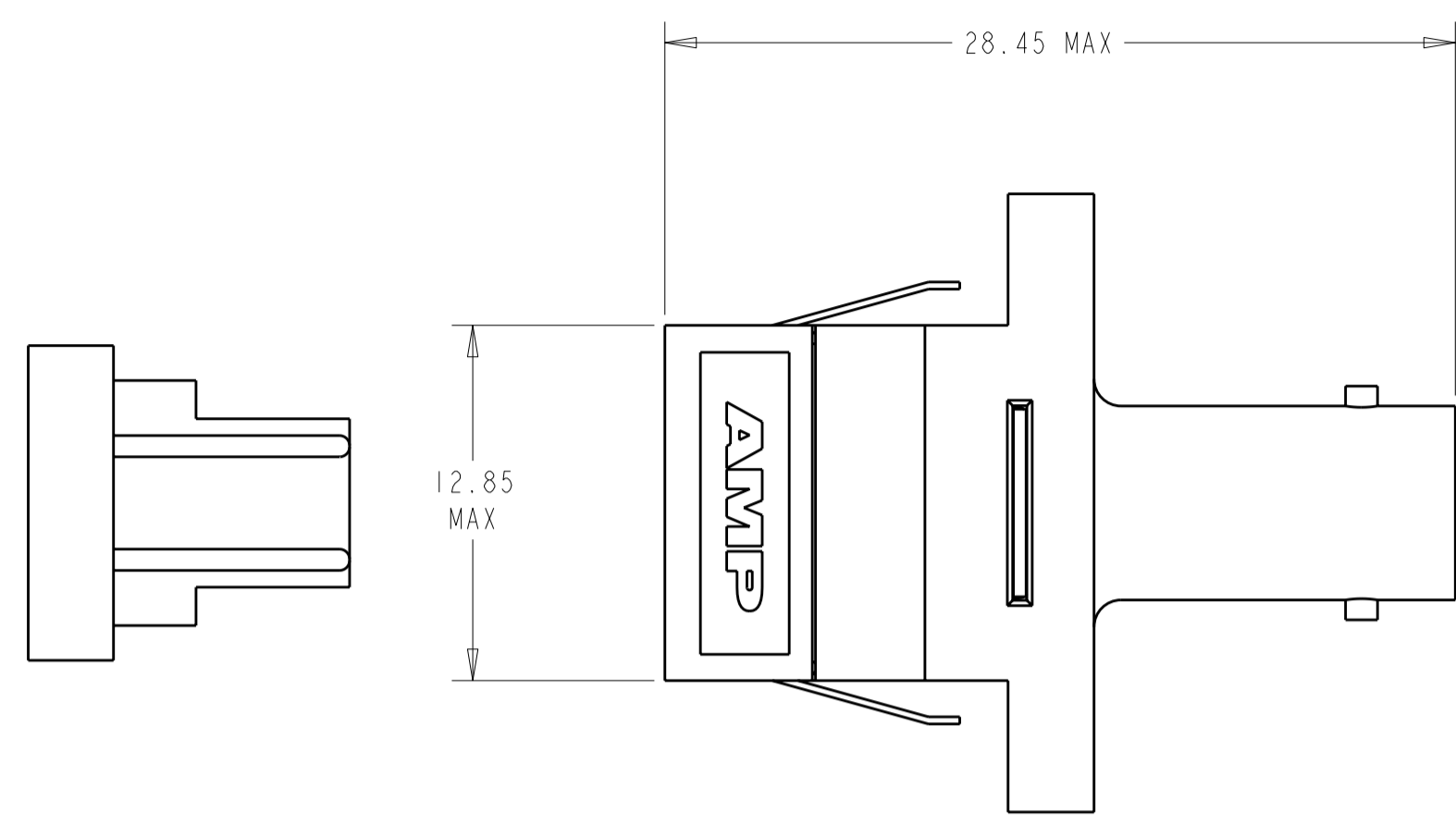
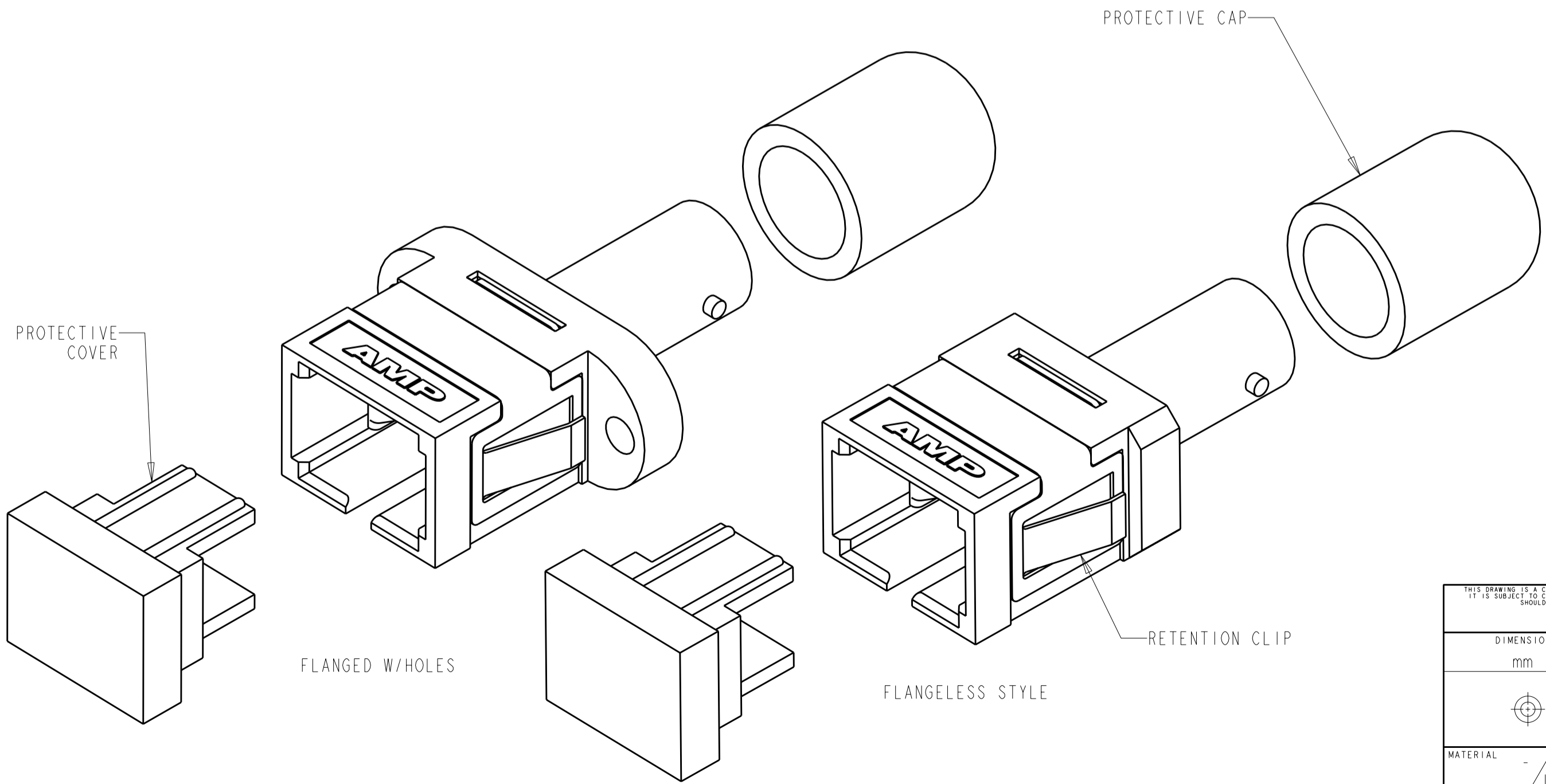


THIS DRAWING IS UNPUBLISHED. RELEASED FOR PUBLICATION
 © COPYRIGHT 19 BY TYCO ELECTRONICS CORPORATION. ALL RIGHTS RESERVED.

| LOC | DIST | REVISIONS | | | |
|-----|------|-------------|-------------------|-----------|-------|
| P | LTR | DESCRIPTION | DATE | DWN | APVD |
| CE | 00 | A | RELEASE TO ACTIVE | 07JUN2006 | BB SM |



- 1 MATERIAL:
 HOUSING: DIECAST ZINC, NICKEL PLATED.
 ALIGNMENT SLEEVE: SEE DASH NOS.
 PROTECTIVE COVER: TPE, COLOR: BLACK.*
 RETENTION CLIP: STAINLESS STEEL.
 PROTECTIVE CAP: VINYL.
 RETAINER: PEI-GF30, COLOR: BLACK.*
 *UL94 V-0 RATED AT QUALIFYING THICKNESS.
- 2 BULK PACKAGE.



| | | | |
|---|------------------|--------------------------|-------------|
| 2 | CERAMIC | FLANGED W/HOLES, NO CLIP | 1-6278350-1 |
| 2 | METAL | FLANGED W/HOLES, NO CLIP | 6278350-9 |
| 2 | CERAMIC | FLANGELESS | 6278350-8 |
| | CERAMIC | FLANGELESS | 6278350-7 |
| | METAL | FLANGELESS | 6278350-5 |
| | CERAMIC | FLANGED W/HOLES | 6278350-3 |
| | METAL | FLANGED W/HOLES | 6278350-1 |
| | ALIGNMENT SLEEVE | DESCRIPTION | PART NO |

| | | | |
|--|--|--|---|
| <small>THIS DRAWING IS A CONTROLLED DOCUMENT FOR TYCO ELECTRONICS CORPORATION. IT IS SUBJECT TO CHANGE AND THE CONTROLLING ENGINEERING ORGANIZATION SHOULD BE CONTACTED FOR THE LATEST REVISION.</small> | | DWN B. BRIGGS 18MAY2005 CHK S. MILLER 18MAY2005 APVD S. BUCHTER 18MAY2005 | AMP AMP Incorporated Harrisburg, PA 17105-3608 |
| DIMENSIONS: mm | | TOLERANCES UNLESS OTHERWISE SPECIFIED: 0 PLC ± 1 PLC ±0.1 2 PLC ±0.05 3 PLC ± 4 PLC ± ANGLES ± FINISH - | NAME ASSEMBLY, SIMPLEX RECEPTACLE, SC/ST DIECAST HOUSING SIZE A2 CAGE CODE 00779 DRAWING NO. 6278350 RESTRICTED TO - SCALE 4:1 SHEET 1 OF 1 REV A |
| MATERIAL - | | PRODUCT SPEC - APPLICATION SPEC - WEIGHT - CUSTOMER DRAWING | |

单击下面可查看定价，库存，交付和生命周期等信息

[>>TE Connectivity\(泰科\)](#)