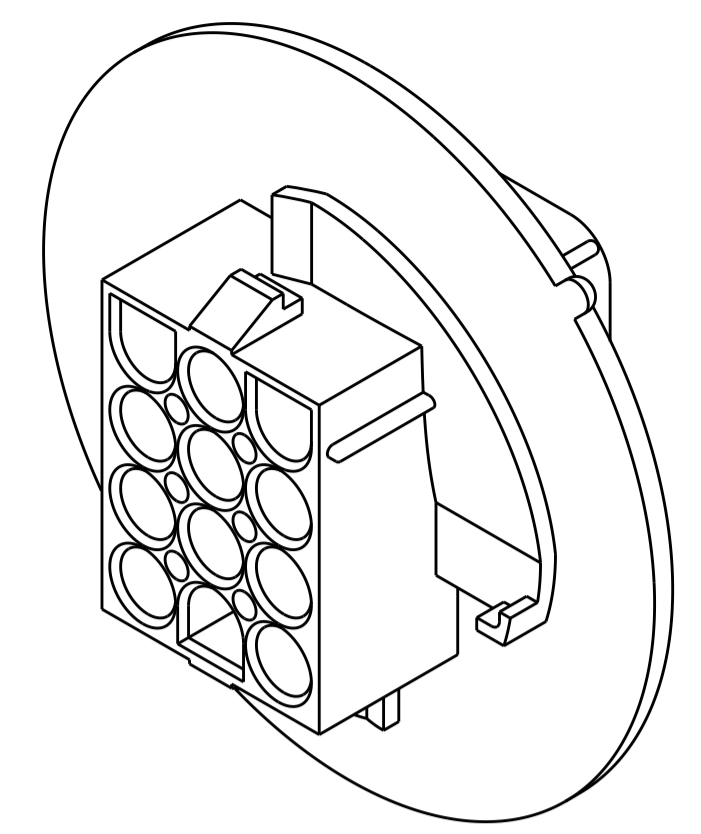
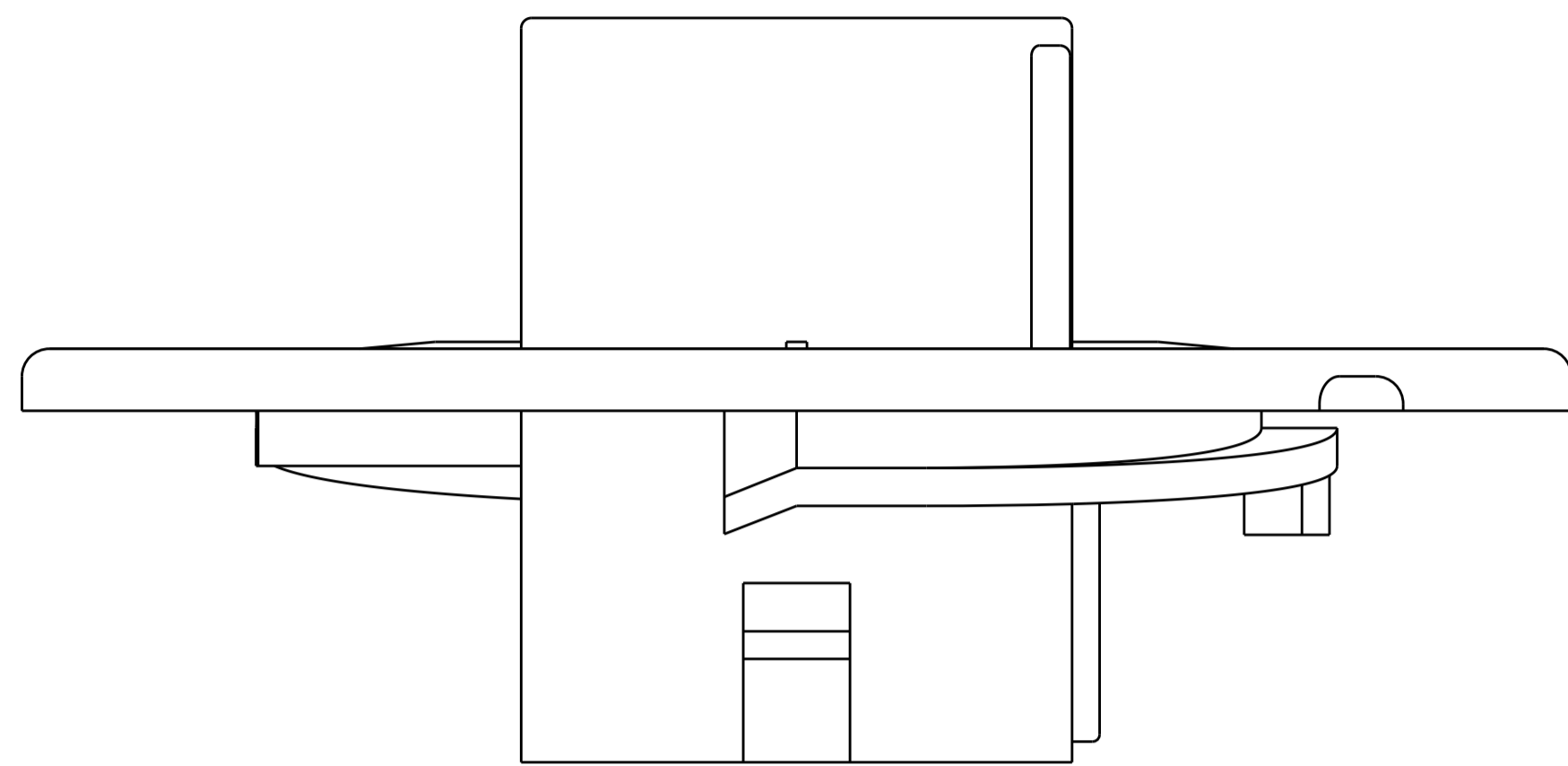
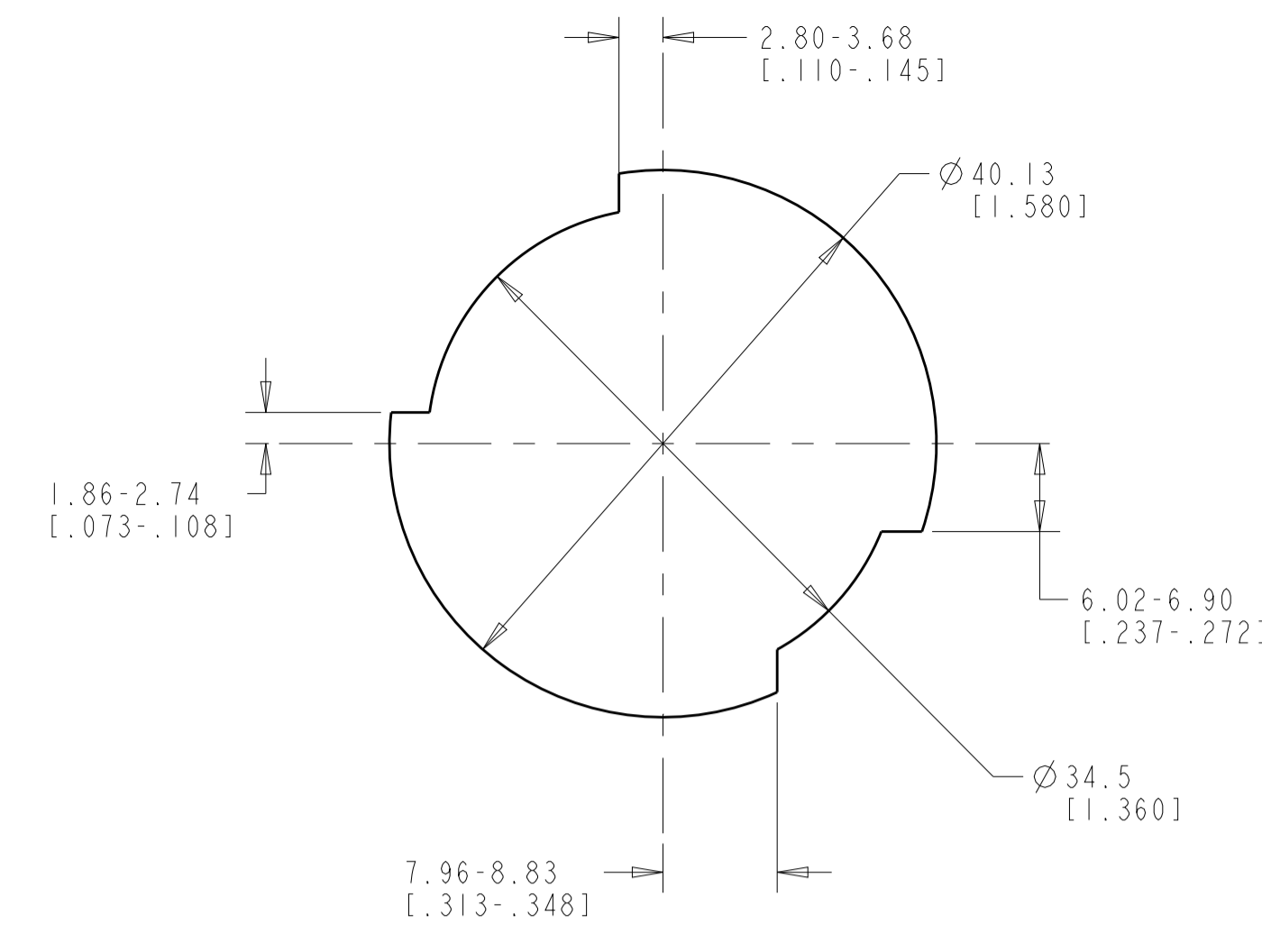


REVISIONS				
P.	LTN.	DESCRIPTION	DATE	APVD.
H		REVISED PER ECR-17-015775	03NOV2017	BDA KR

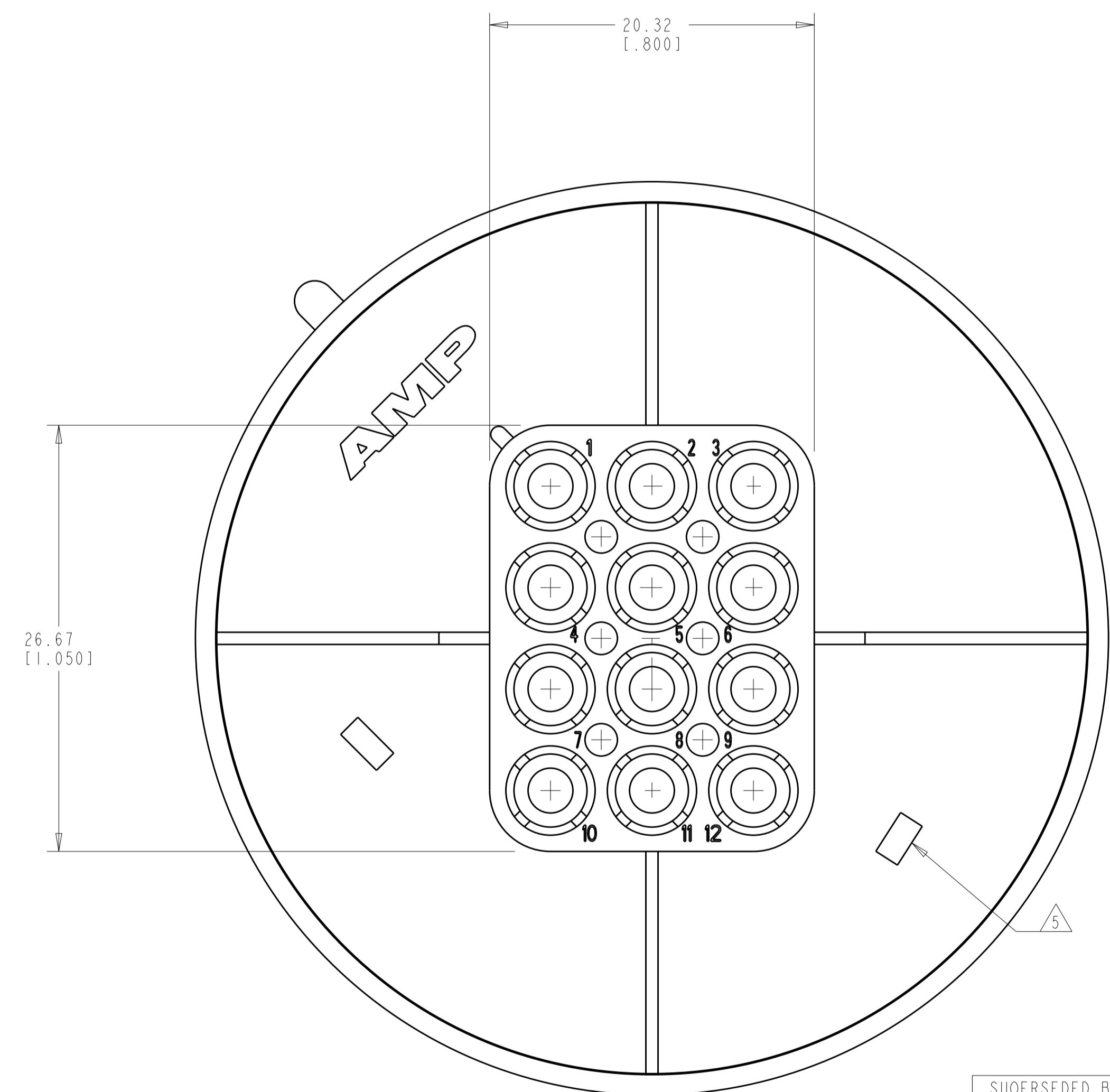
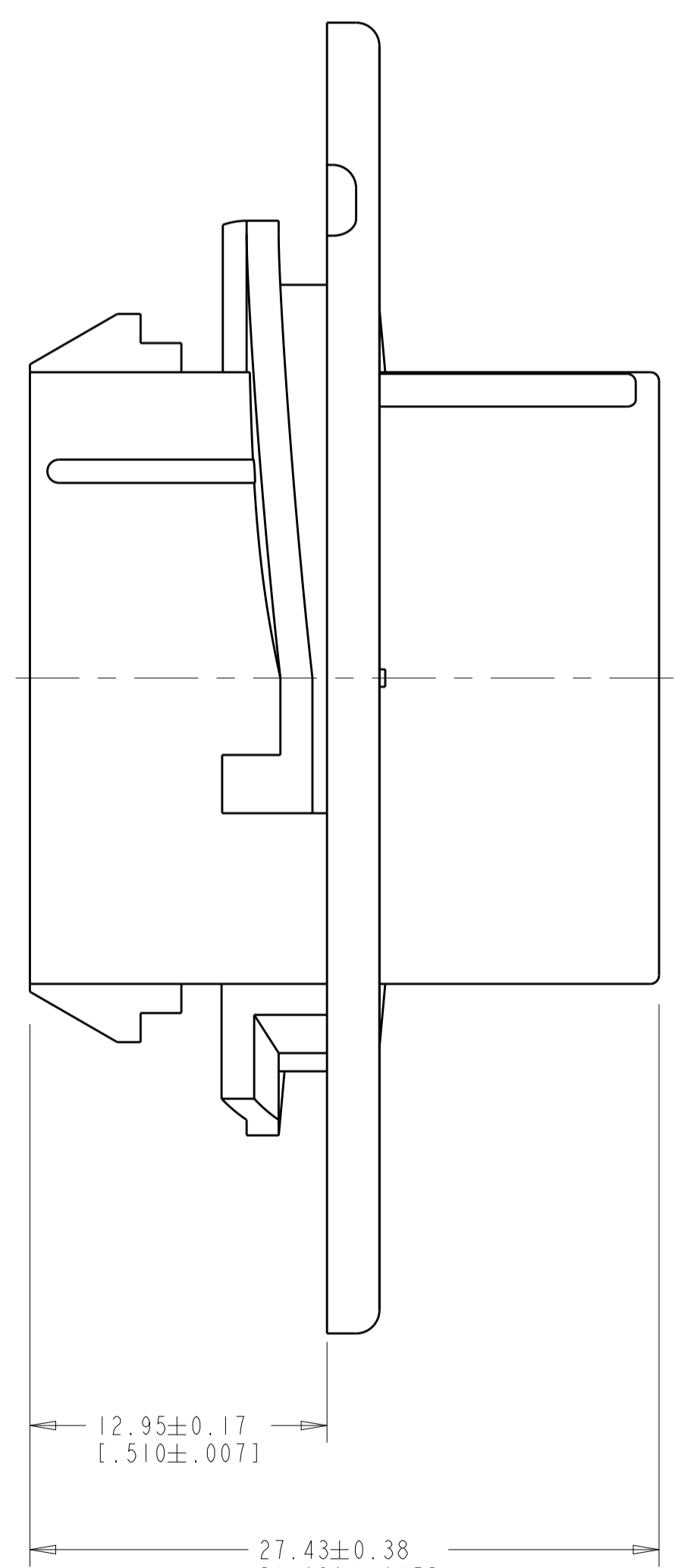
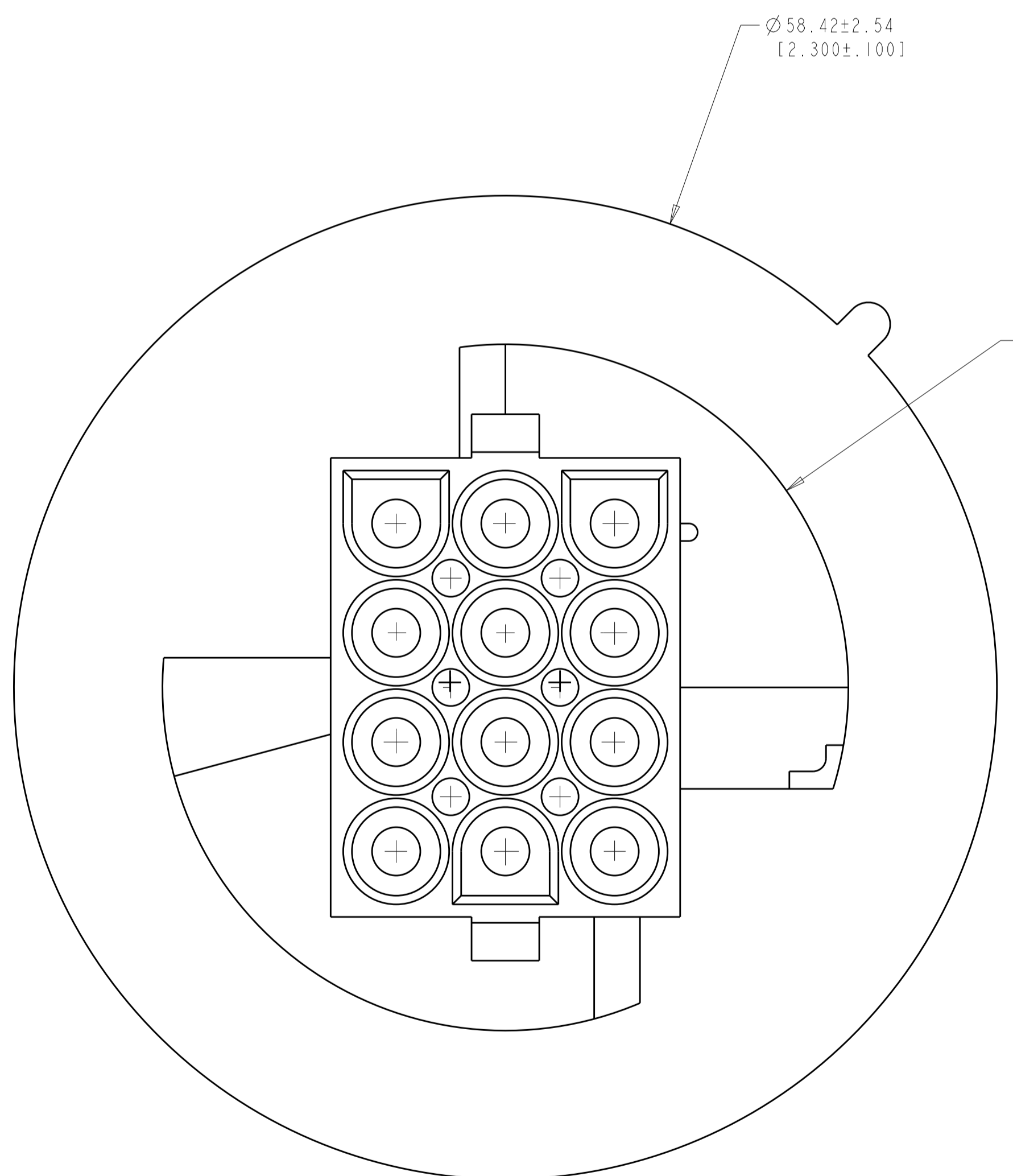


3-DIMENSIONAL MODEL
SCALE 2:1



RECOMMENDED CUT OUT
SCALE 2:1

- MATES WITH APPROPRIATE UNIVERSAL MATE-N-LOK™ PLUG.
 - RECOMMENDED PANEL THICKNESS 0.76 - 2.29 [0.030 - .090].
 - PANEL MUST BE PUNCHED SO THAT THE HOUSING ENTERS THE PANEL IN THE SAME DIRECTION AS THE PUNCH.
 - DIMENSIONS SHOWN REPRESENT PRODUCT IN DRY, AS MOLDED CONDITION ADDITIONAL 2% GROWTH DUE TO SUBSEQUENT MOISTURE ABSORPTION MAY OCCUR AND SHOULD BE ACCOUNTED FOR.
- 5 UL AND CSA LOGOS LOCATED APPROXIMATELY AS SHOWN



BLACK	1-794762-9
GRAY	1-794762-8
BLUE	1-794762-6
GREEN	1-794762-5
YELLOW	1-794762-4
ORANGE	1-794762-3
RED	1-794762-2
BROWN	1-794762-1
RED	794762-3
NATURAL	794762-1
COLOR	PART NUMBER

SUOERSEDED BY 794762-3

THIS DRAWING IS A CONTROLLED DOCUMENT.

DIMENSIONS: mm [INCHES]	TOLERANCES UNLESS OTHERWISE SPECIFIED: 0 PLC ± 1 PLC ±0.511(.020) 2 PLC ± 3 PLC ± 4 PLC ± ANGLES 40° 30'	OWN: K. WHITAKER CHK: K. COBLE APVD: K. COBLE DATE: 20-JUNE-2000	NAME: CAP. 12 CIRCUIT, UNIVERSAL MATE-N-LOK(TM), SPECIAL
MATERIAL: NYLON, UL 94V-0, WHITE	FINISH: -	SIZE: A1 CAGE CODE: 00779 DRAWING NO: 794762	RESTRICTED TO: -

SCALE 4:1 SHEET 1 OF 1 REV H

单击下面可查看定价，库存，交付和生命周期等信息

[>>TE Connectivity\(泰科\)](#)