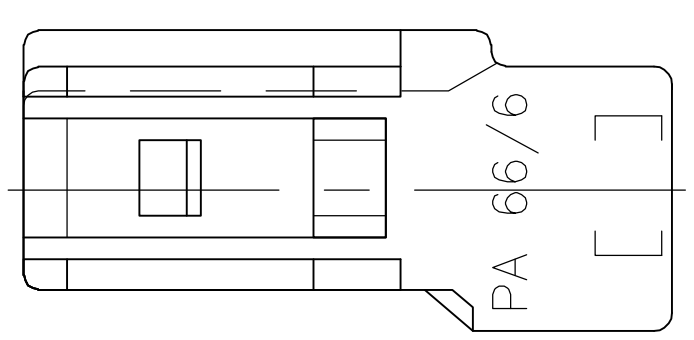
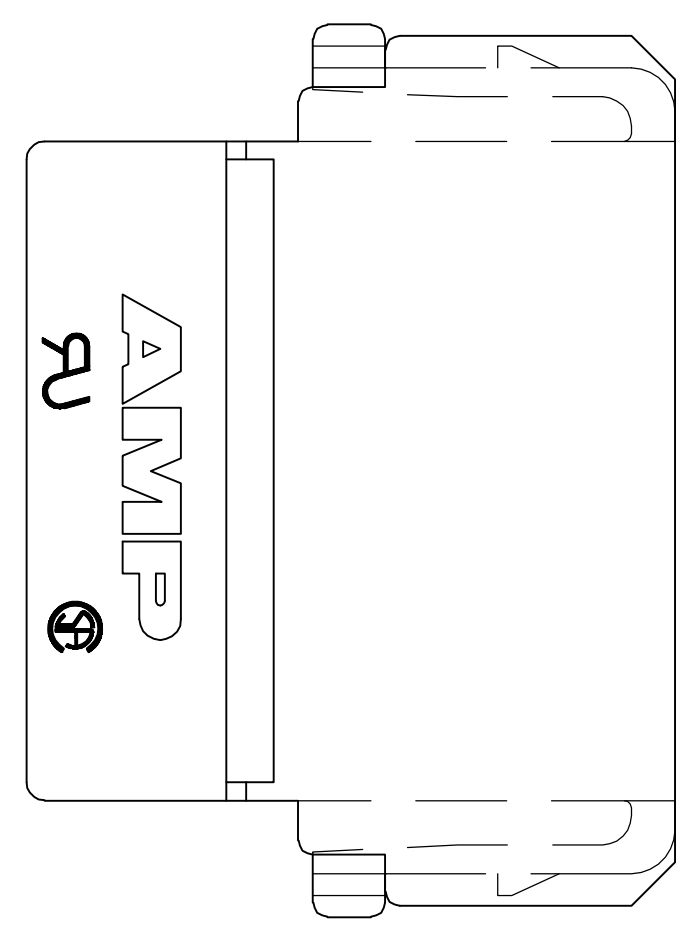
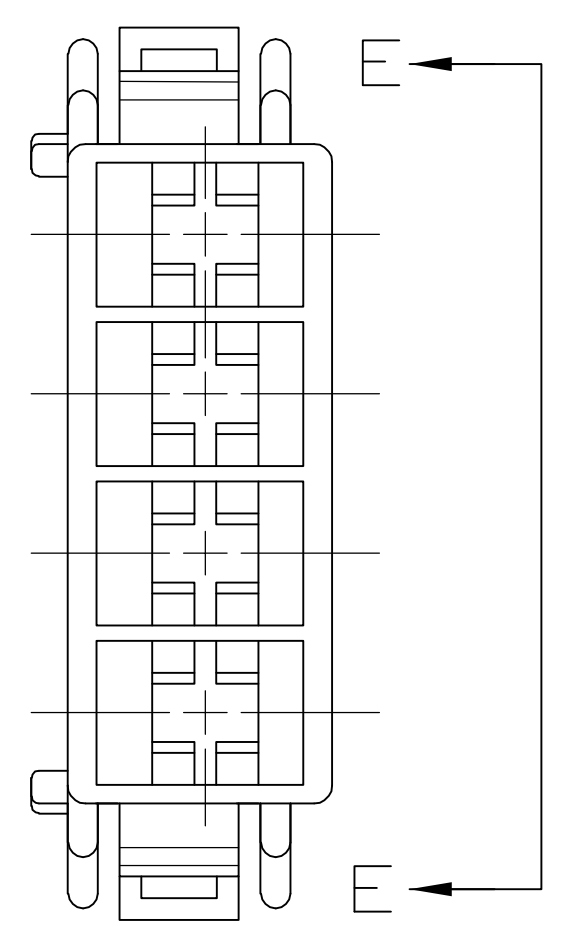
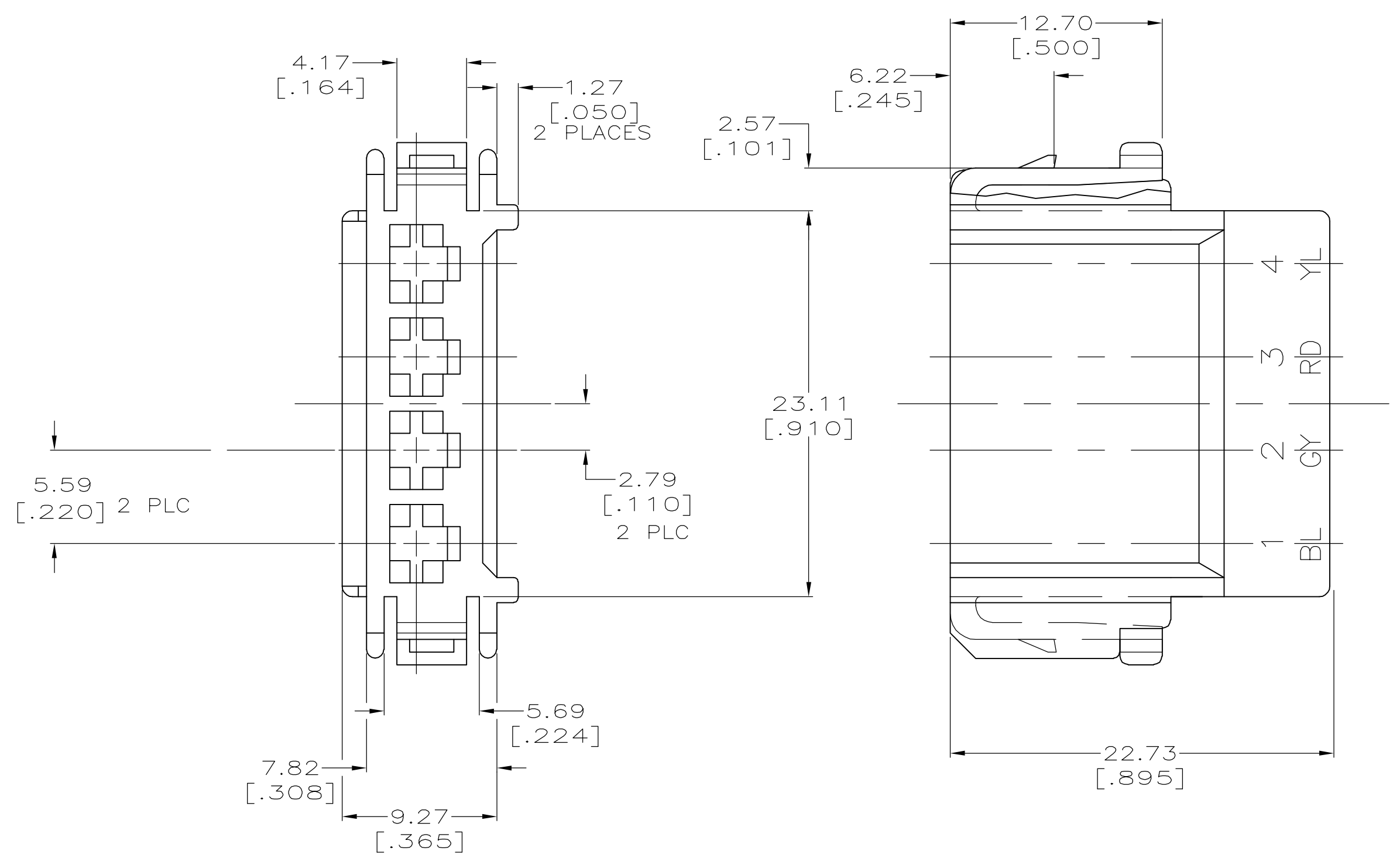


LOC	DIST	REVISIONS					
AF	50	P	LTR	DESCRIPTION	DATE	DWN	APVD
		B1		REVISED PER ECR-06-019147	16AUG06	HMR	DD



- 1 PART ACCEPTS RECEPTACLE CONTACT PART NO 61603-1 OR 61604-1.
- 2 PART MATES WITH 521109-1.

521108-1
PART NO

THIS DRAWING IS A CONTROLLED DOCUMENT.		DWN PHILLIP M FORTNEY 08/NOV/96	Tyco Electronics Corporation Harrisburg, PA 17105-3608	
DIMENSIONS: mm [INCHES]		CHK JEFF R RUTH 08/NOV/96	APVD DON DECKER 08/NOV/96	
TOLERANCES UNLESS OTHERWISE SPECIFIED:		NAME PLUG, 4 CIRCUIT, 3.18 [.125] BLADE		
0 PLC ± -		PRODUCT SPEC		
1 PLC ± -		APPLICATION SPEC		
2 PLC ± 0.25 [.010]		SIZE A2		
3 PLC ± -		CAGE CODE 00779		
4 PLC ± -		DRAWING NO 521108		
ANGLES ± ± -		RESTRICTED TO		
MATERIAL NYLON 66/6 UL94 V-0 FLAMMABILITY RATING	FINISH COLOR-NATURAL	WEIGHT -	CUSTOMER DRAWING	
		SCALE 4:1	SHEET 1 of 1	REV B1

单击下面可查看定价，库存，交付和生命周期等信息

[>>TE Connectivity\(泰科\)](#)