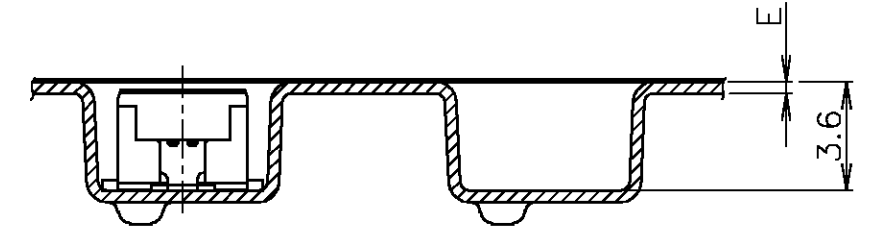
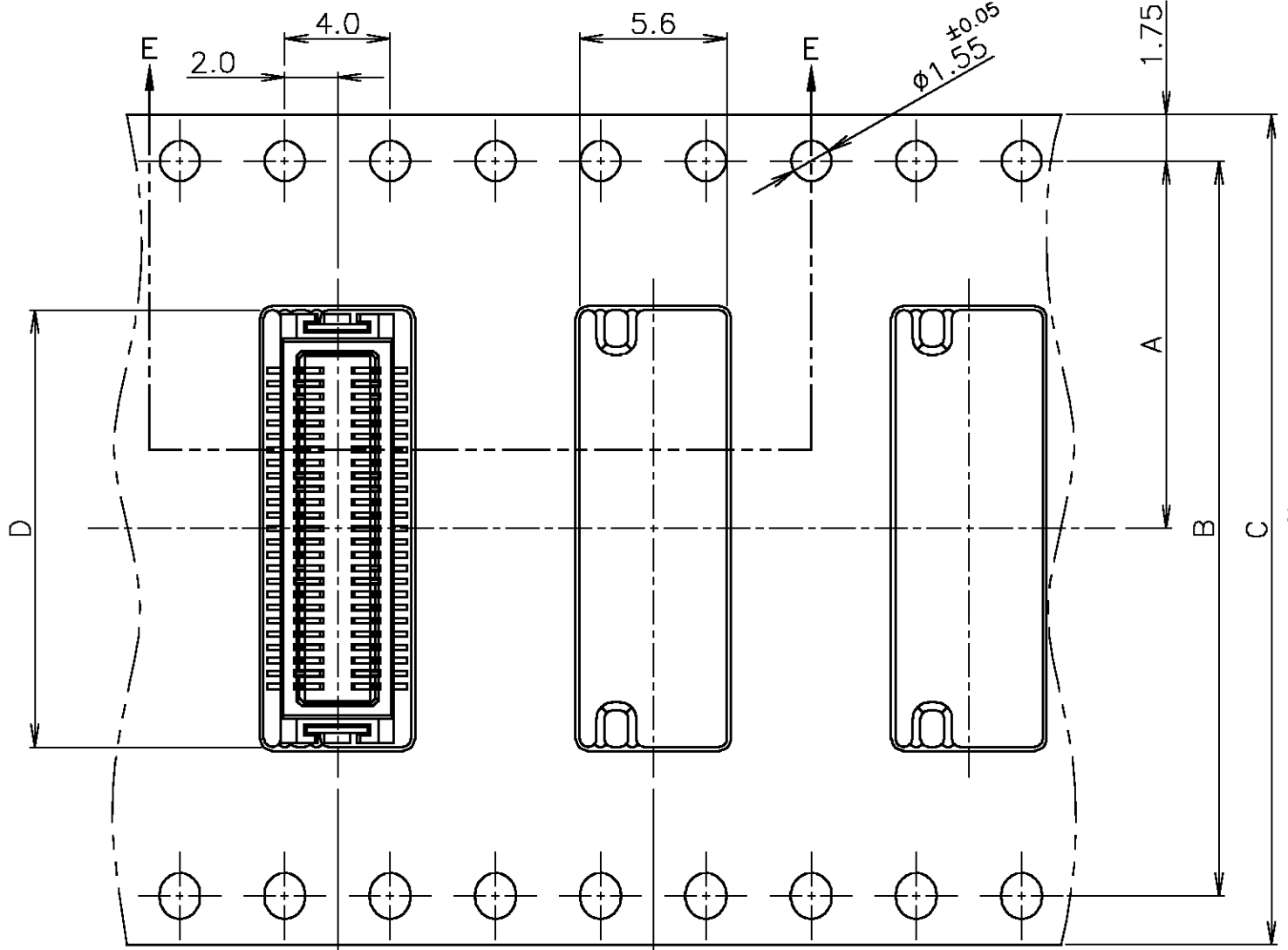


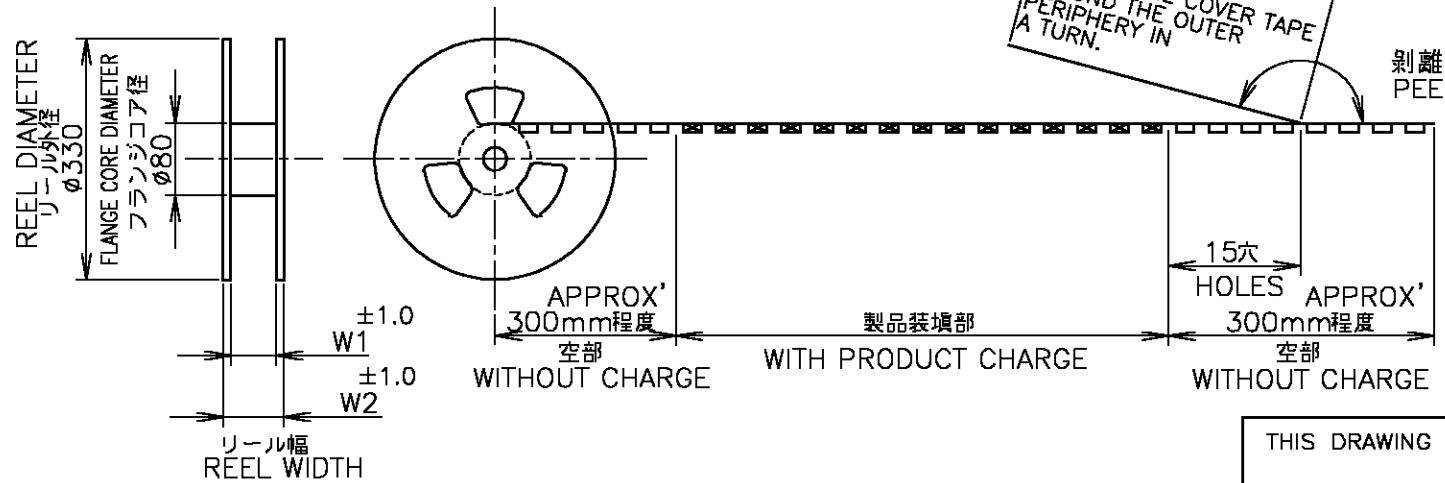
LOC		DIST		REVISIONS		
J				変更		
P	LTR	DESCRIPTION	DATE	DWN	APVD	
A		REVISED	FJB0-0396-04	Y.N	H.M	



引出し方向
TOP OF REEL
→

カバーテープ
リーダー部
外周一巻
WEEDING THE COVER TAPE
AROUND THE OUTER
PERIPHERY IN
A TURN.
剥離角度、165°~180°
PEELING ANGLE.

鉛フリー
LEAD FREE



THIS DRAWING IS A CONTROLLED DOCUMENT.

DIMENSIONS: 単位: 耗 MM	TOLERANCES UNLESS OTHERWISE SPECIFIED: 一般公差
	0 PLC ± 0.3
	1 PLC ± 0.3
	2 PLC ± 0.3
	3 PLC ± 0.3
	4 PLC ± 0.3
	ANGLES ± 3'
MATERIAL 材料	FINISH 仕上

INSTRUCTION SHEET 取扱説明書 411-5808	WIRE RANGE 包含電線断面積	INSULATION DIA 被覆外径
DWN Y.NAKAZAWA 23APR04	Tyco Electronics AMP K.K. Kawasaki, Japan	
CHK T.KUSUHARA 23APR04	NAME 名称 ON TAPING (EMBOSS) 0.5mm PITCH FINE MATE CONN. TAB ASSEMBLY (V-TYPE) (H=4.5)	
APVD H.MURAMATSU 23APR04	PRODUCT SPEC 製品規格 108-5496	APPLICATION SPEC 取付適用規格
WEIGHT	SIZE A3	CAGE CODE 00779
CUSTOMER DRAWING	DRAWING NO 番号 C=1565359	RESTRICTED TO
SCALE 尺度 4:1	SHEET 1 OF 2	REV A

4

3

2

1


THIS DRAWING IS UNPUBLISHED.

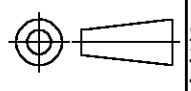
RELEASED FOR PUBLICATION APR, 2004.

© COPYRIGHT 2004 BY TYCO ELECTRONICS CORPORATION. ALL RIGHTS RESERVED.

LOC	DIST	REVISIONS			
		P	LTR	DESCRIPTION	DATE
J	/			SEE SHEET 1	

WITH BOSS	W2	W1	E	D	C	B	A	QTY/ REEL	POS	CONNECTOR P/N	TAPING P/N
		50.5	45.5	0.4	24.1	44	40.4	20.2	1000	80	5-1565360-3
WITHOUT BOSS	20.2	17.5	0.4	9.1	16	--	7.5	1000	20	1565360-9	1565359-9
	36.7	33.5	0.4	19.1	32	28.4	14.2	1000	60	1565360-5	1565359-5
	50.5	45.5	0.4	24.1	44	40.4	20.2	1000	80	1565360-3	1565359-3
	49.5	45.5	0.38	29.1	44	40.4	20.2	1000	100	1565360-1	1565359-1

INSTRUCTION SHEET 取扱説明書 411-5808		WIRE RANGE 抱合電線断面積		INSULATION DIA 被覆外径	
DWN		 Tyco Electronics AMP K.K. Kawasaki, Japan			
CHK		NAME 名称			
APVD		ON TAPING (EMBOSS) 0.5mm PITCH FINE MATE CONN. TAB ASSEMBLY (V-TYPE) (H=4.5)			
PRODUCT SPEC 製品規格 108-5496		SIZE A3		DRAWING NO C=1565359	
APPLICATION SPEC 取付適用規格		CAGE CODE 00779		RESTRICTED TO	
WEIGHT		SCALE 尺度 4:1		SHEET 2 OF 2 REV A	

THIS DRAWING IS A CONTROLLED DOCUMENT.	
DIMENSIONS: 単位: 純 MM	TOLERANCES UNLESS OTHERWISE SPECIFIED: 一般公差
	0 PLC ± 0.3 1 PLC ± 0.3 2 PLC ± 0.3 3 PLC ± 0.3 4 PLC ± 0.3 ANGLES ± 3'
MATERIAL 材料	FINISH 仕上

鉛フリー
LEAD FREE

单击下面可查看定价，库存，交付和生命周期等信息

[>>TE Connectivity\(泰科\)](#)