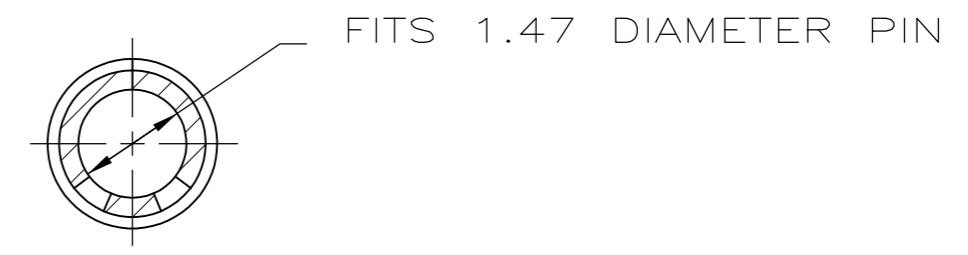
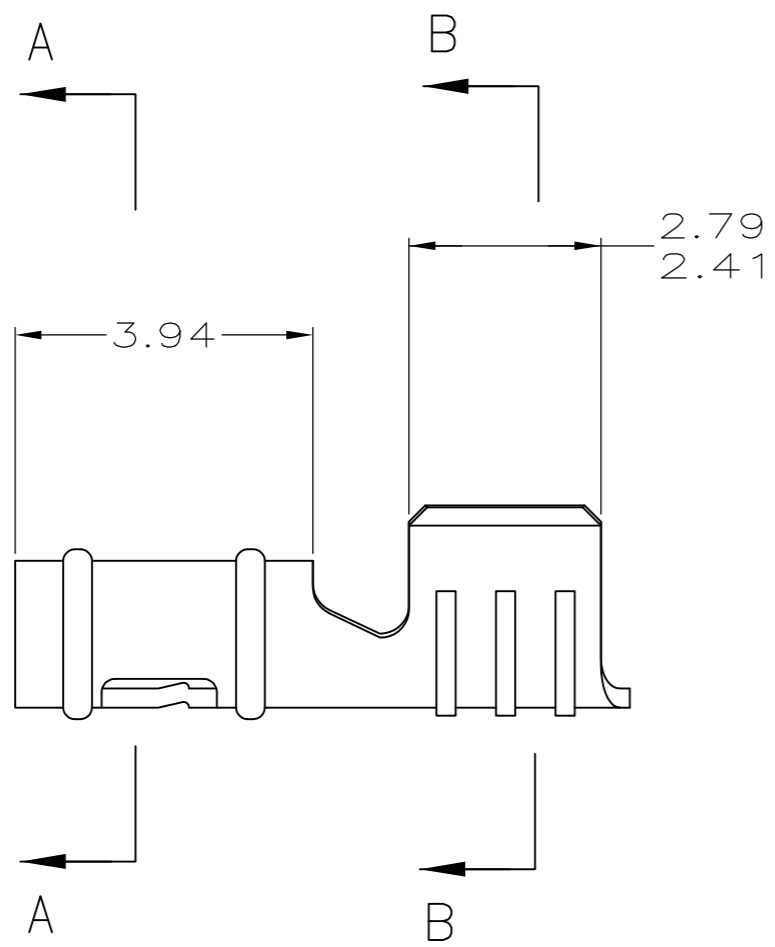
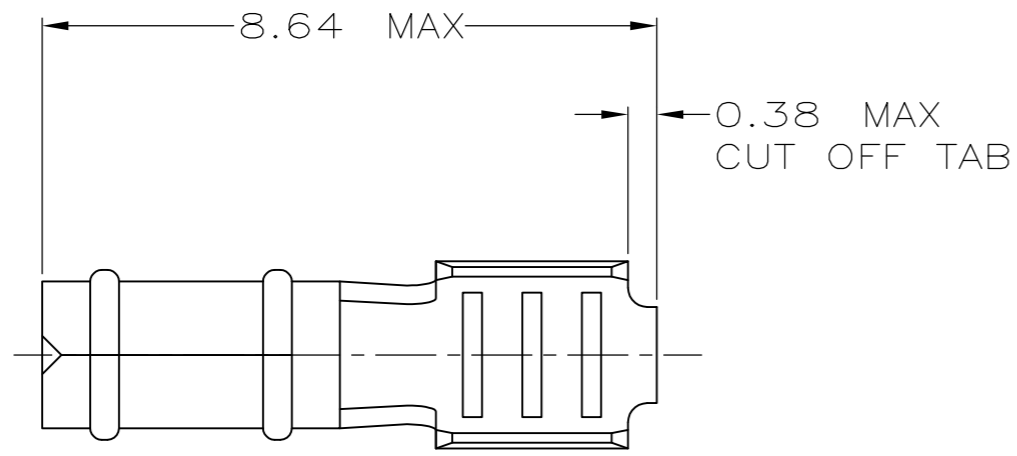


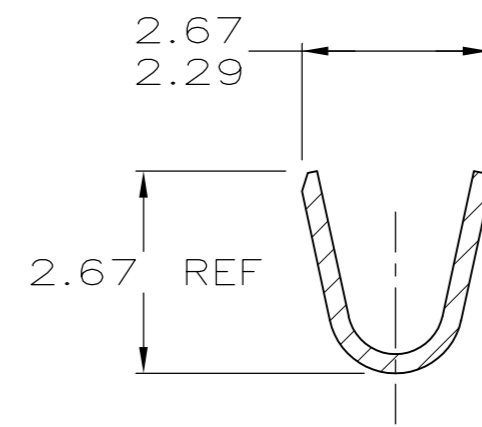
THIS DRAWING IS UNPUBLISHED. RELEASED FOR PUBLICATION  
 © COPYRIGHT - By - ALL RIGHTS RESERVED.

LOC		DIST		REVISIONS			
P	LTR	DESCRIPTION		DATE	DWN	APVD	
CM	0	E1		REVISED PER ECO-15-016302	14NOV2015	NK	DR

- 1 TIN PLATING OVER ALL.
- 2 WIRE RANGE: 0.3 - 1 MM<sup>2</sup> (22-17 AWG)



SECTION A-A



SECTION B-B

MM	IN	MM	IN	MM	IN
0.38	.015	2.67	.105	-	-
0.25	.010	2.41	.095	8.64	.340
0.13	.005	2.29	.090	3.94	.155
0.00203	.000080	1.47	.058	2.79	.110

CONVERSION TABLE

THIS DRAWING IS A CONTROLLED DOCUMENT.		DWN	T. BECK	6-10-97	FINISH		0.25 BE CU MATERIAL	640024-1 PART NUMBER	
DIMENSIONS: mm		CHK	R. SWING	6-10-97	APVD		A. BEDDICK		
TOLERANCES UNLESS OTHERWISE SPECIFIED:		PRODUCT SPEC	108-1025		APPLICATION SPEC		114-1008		
0 PLC ± -		WEIGHT		-		SIZE	A2	CAGE CODE	00779
1 PLC ± -		CUSTOMER DRAWING		SCALE	10:1	SHEET	1 of 1	REV	E1
2 PLC ± 0.13		MATERIAL		SEE TABLE		TE Connectivity			
3 PLC ± -		FINISH		SEE TABLE		RECEPTACLE, .058 DIAMETER, 22-17 AWG, LOOSE PIECE, P.C. CONTACT			
4 PLC ± -		MATERIAL		SEE TABLE		RESTRICTED TO			
ANGLES ± -		MATERIAL		SEE TABLE		DRAWING NO			

单击下面可查看定价，库存，交付和生命周期等信息

[>>TE Connectivity\(泰科\)](#)