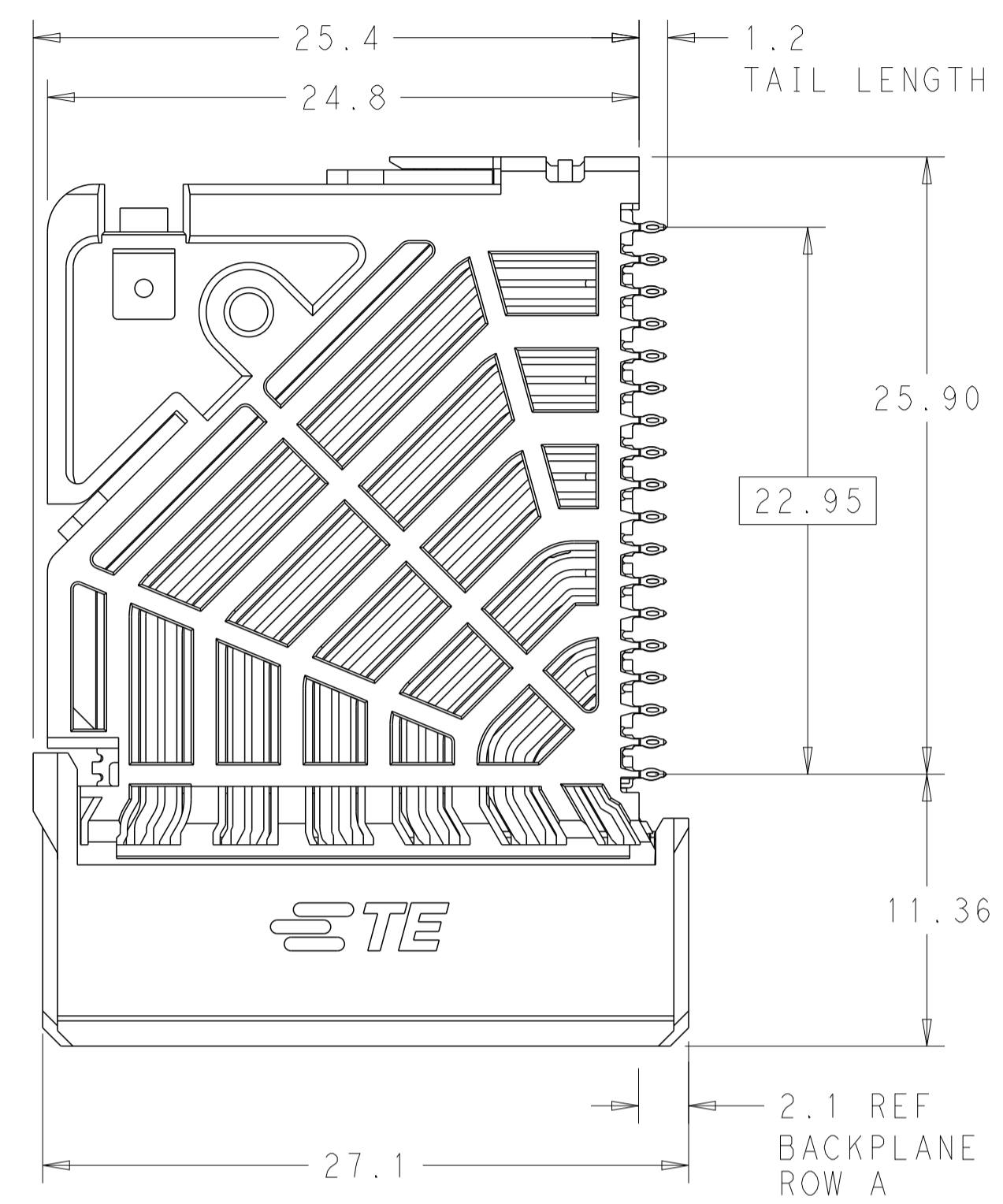
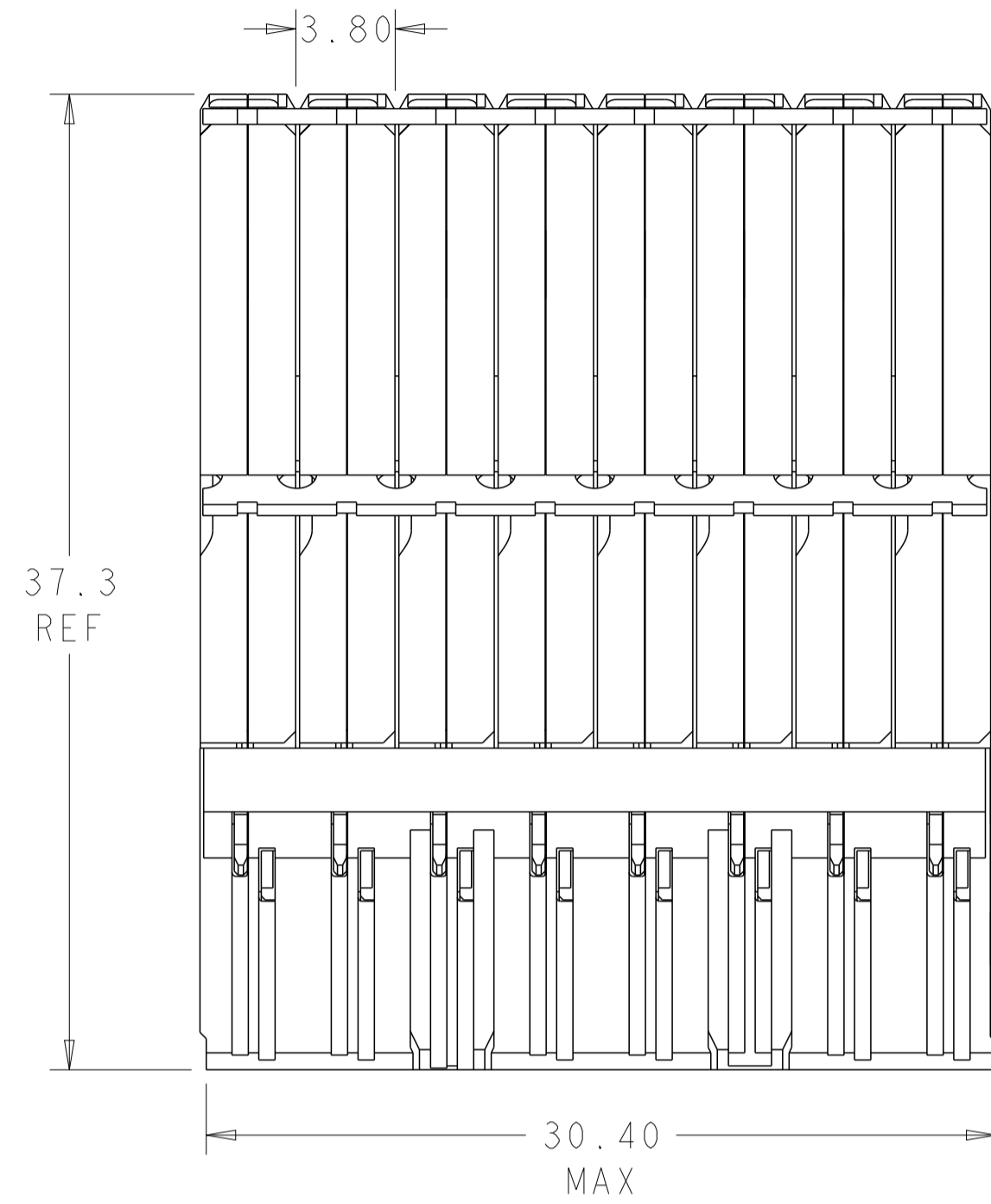
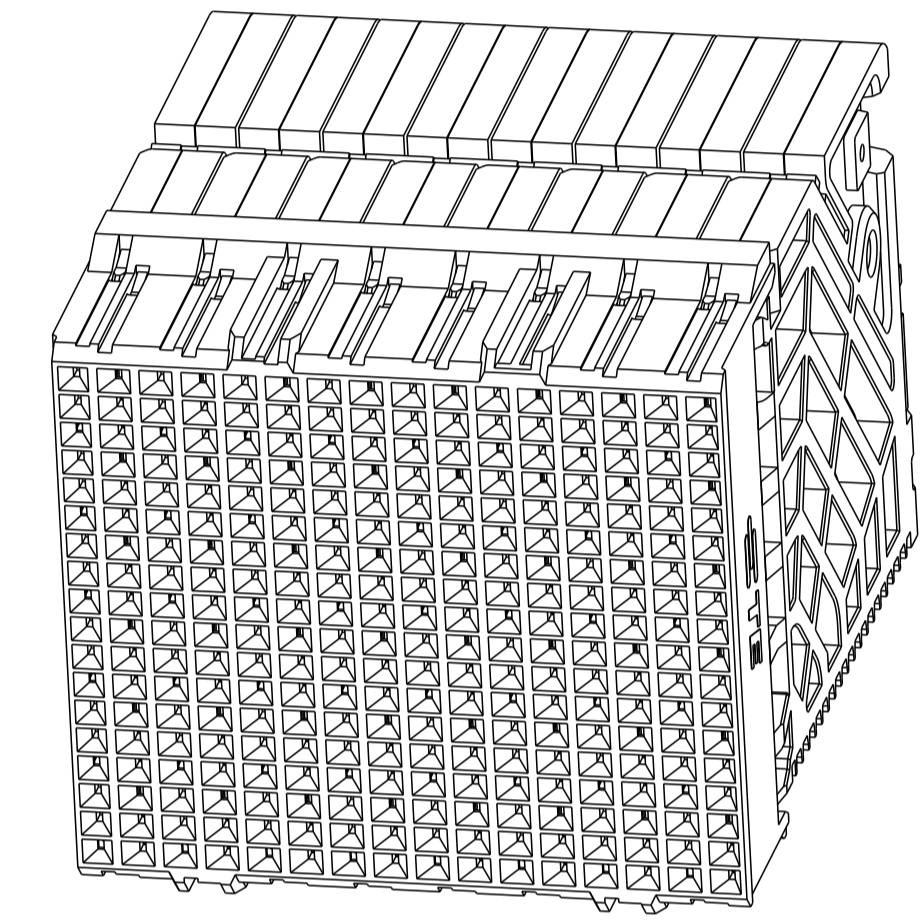


REVISIONS				
P	LTN	DESCRIPTION	DATE	APVD
E		REVISED PER ECO-15-012351	03SEP2015	AP SY

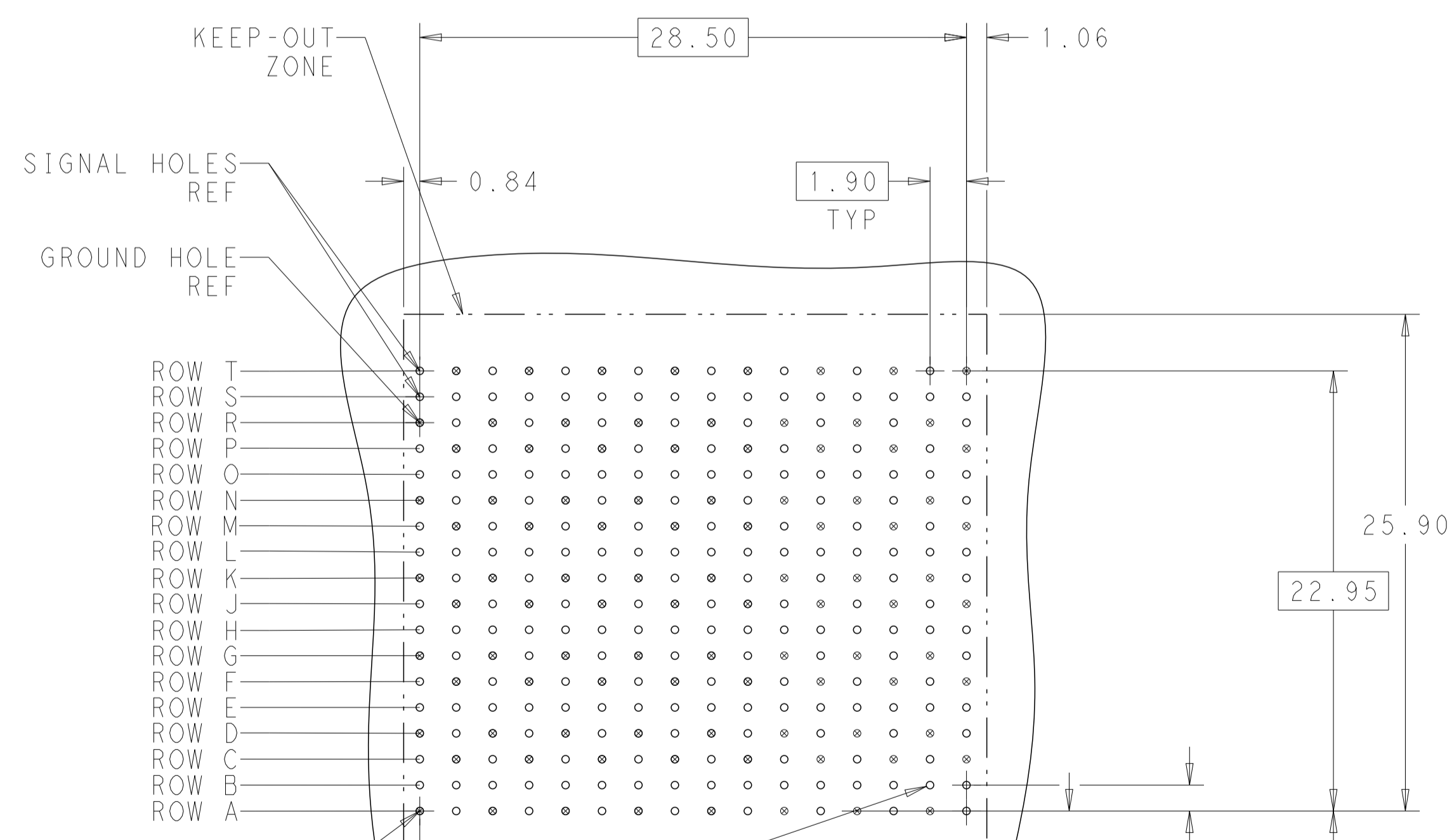
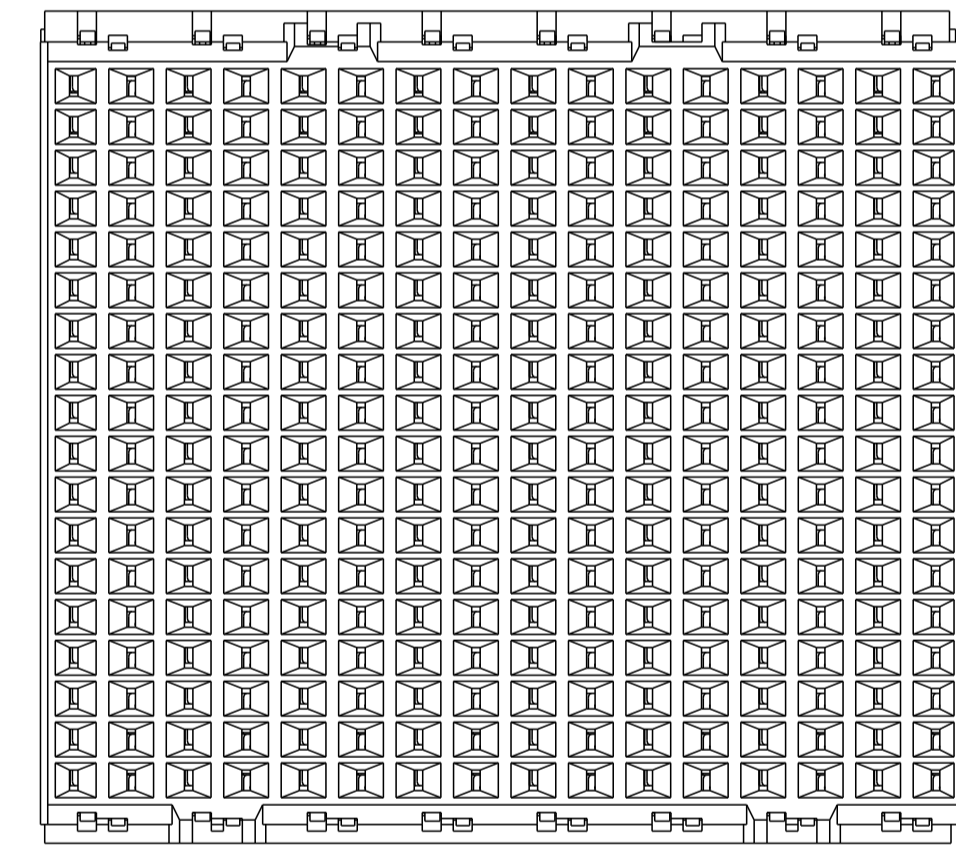


⚠ MATERIAL:
 HOUSING: LCP, GLASS FILLED, UL94V-0.
 TERMINALS: HIGH PERFORMANCE COPPER ALLOY.

⚠ FINISH:
 30µ" SELECTIVE GOLD IN CONTACT AREA. SELECTIVE TIN
 ON PCB TAILS, NICKEL OVERALL.



SCALE 3:1



REFER TO WWW.TE.COM
 FOR PRODUCT AVAILABILITY

288X $\varnothing 0.39 \pm 0.05$
 PLATED THRU HOLE

288X $\varnothing 0.48 \pm 0.013$
 DRILL HOLE

$\varnothing 0.10$

0.35
 OFFSET BETWEEN BOARD AND
 BACKPLANE HOLE COLUMNS

RECOMMENDED PCB LAYOUT
 MIN BOARD THICKNESS 1.0

NONE	⚠	2007747-1
KEY POSITION	FINISH	PART NUMBER
THIS DRAWING IS A CONTROLLED DOCUMENT. DWN B. CARBO 19NOV2010 CHK D. DIXON 19NOV2010 APVD D. DIXON 19NOV2010		
TE Connectivity		
NAME: IMPACT, 6 PAIR, DAUGHTERCARD PRODUCT SPEC: 16 COLUMN, UNGUIDED, SIGNAL APPLICATION SPEC: MODULE, 0.39 EYELET		
SIZE	CAGE CODE	DRAWING NO
A1	00779	C=2007747
WEIGHT	Customer Drawing	RESTRICTED TO
SCALE	SHEET	OF
4:1	1	1
REV	E	

单击下面可查看定价，库存，交付和生命周期等信息

[>>TE Connectivity\(泰科\)](#)