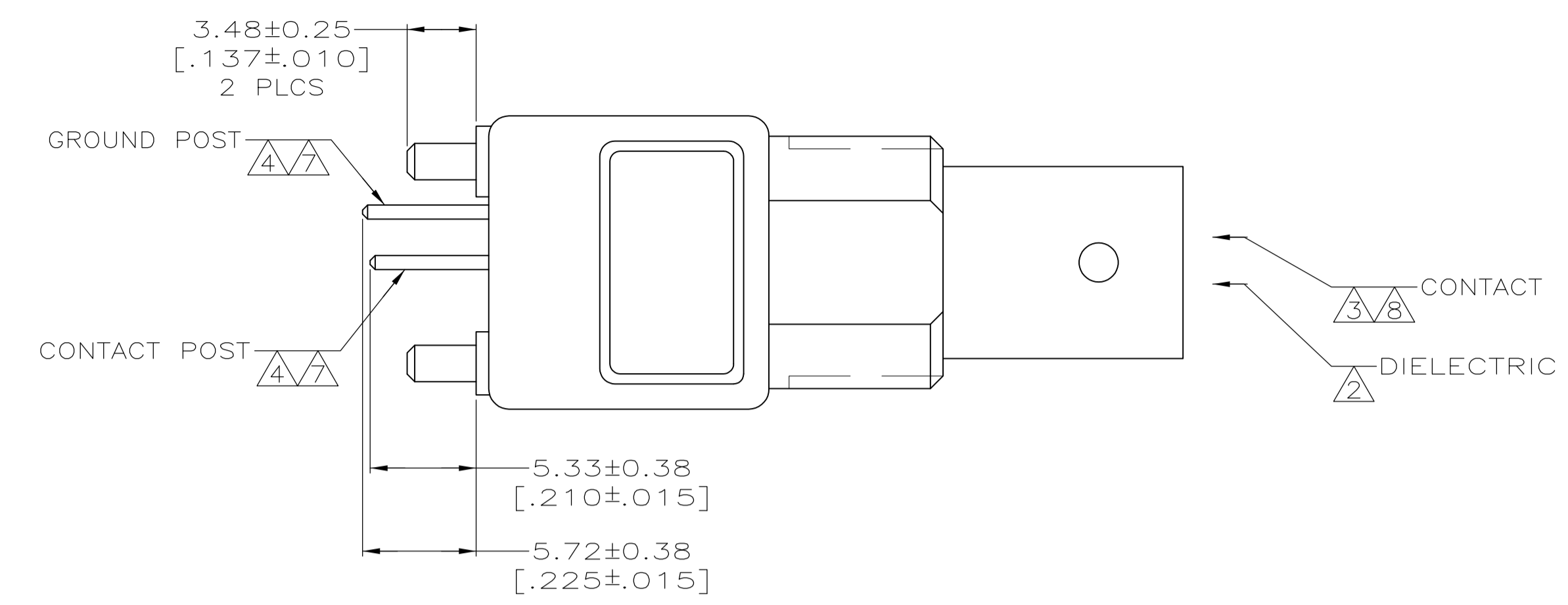
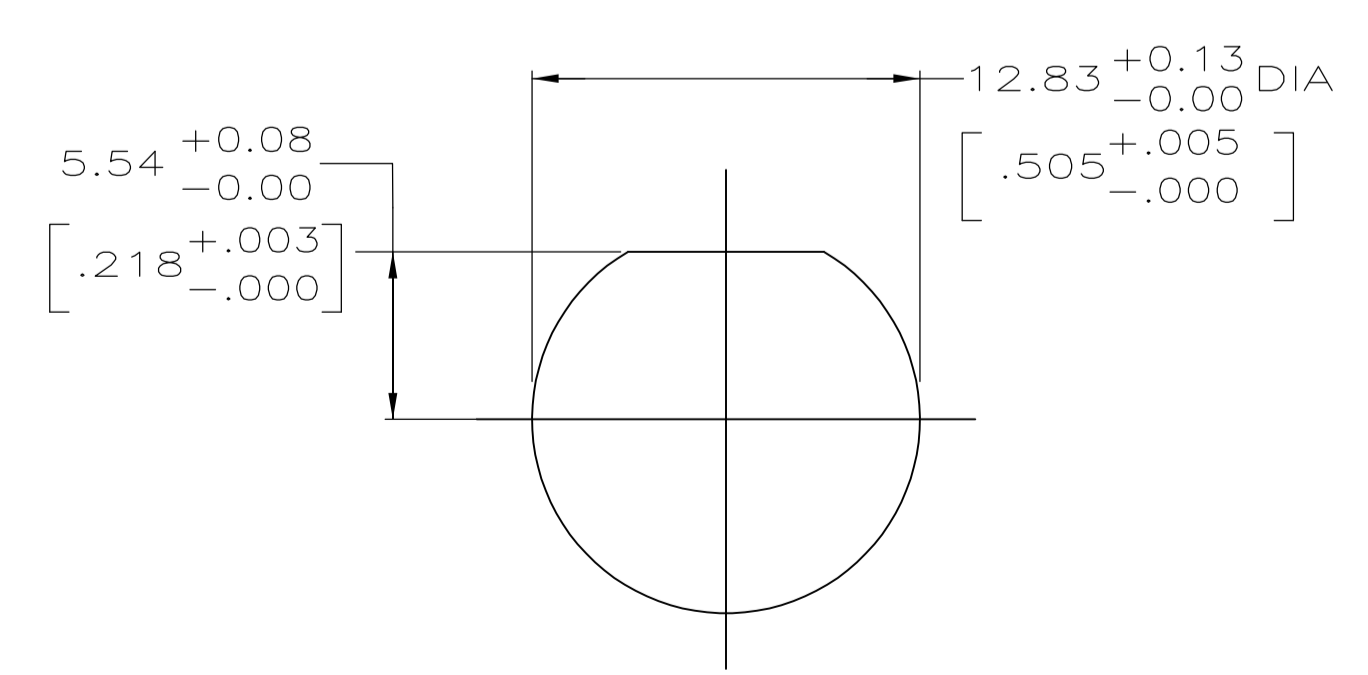
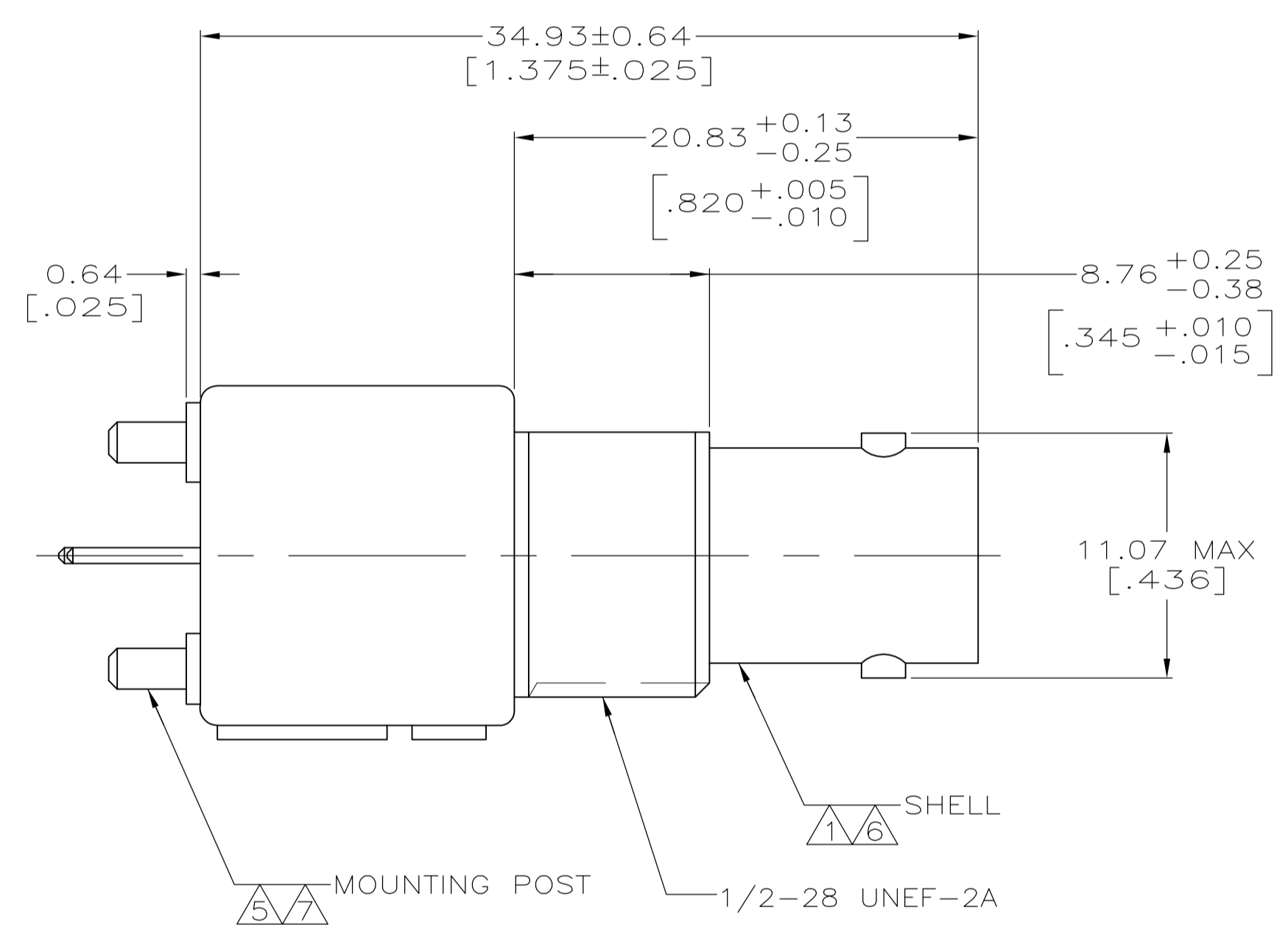
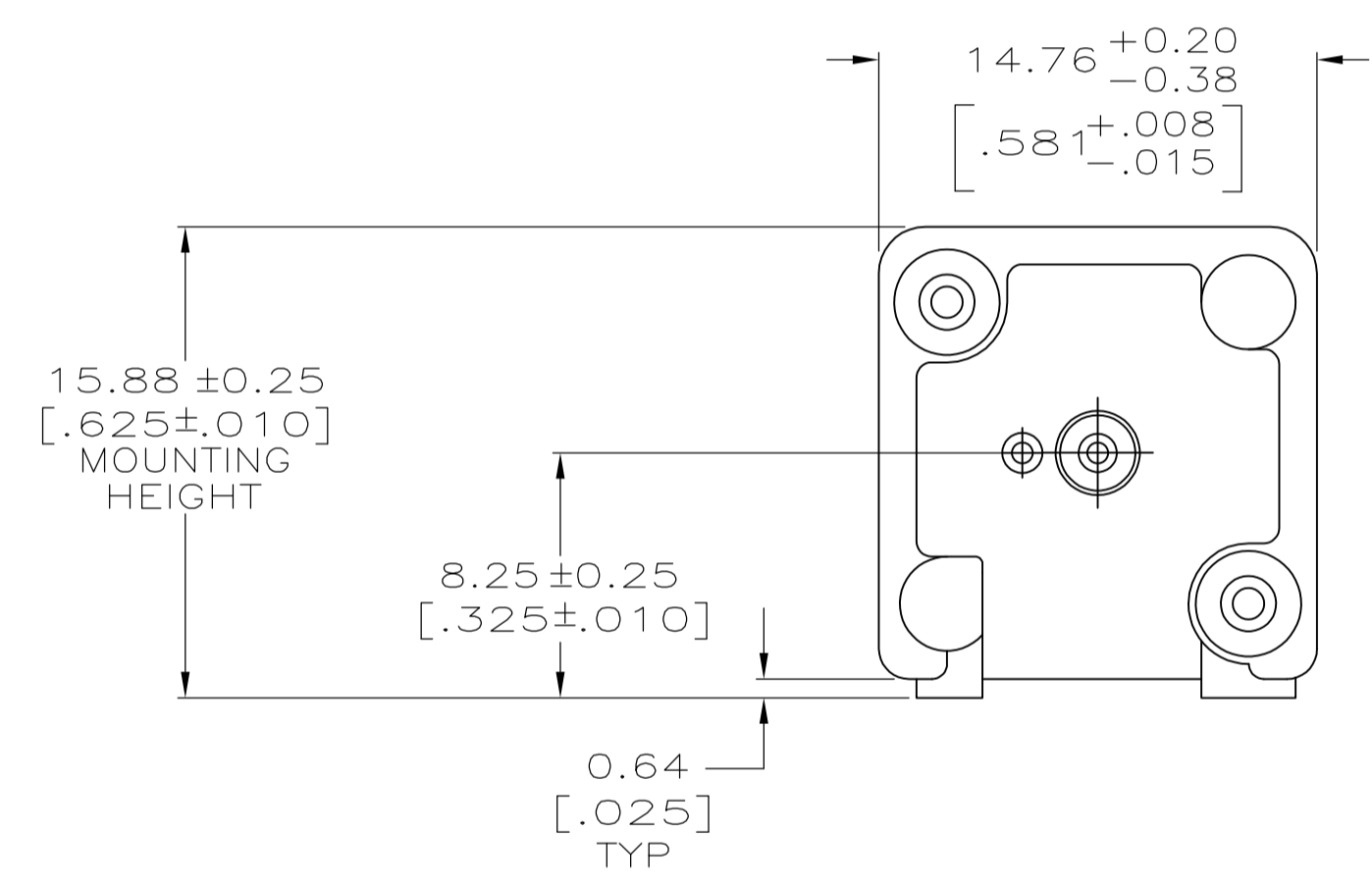


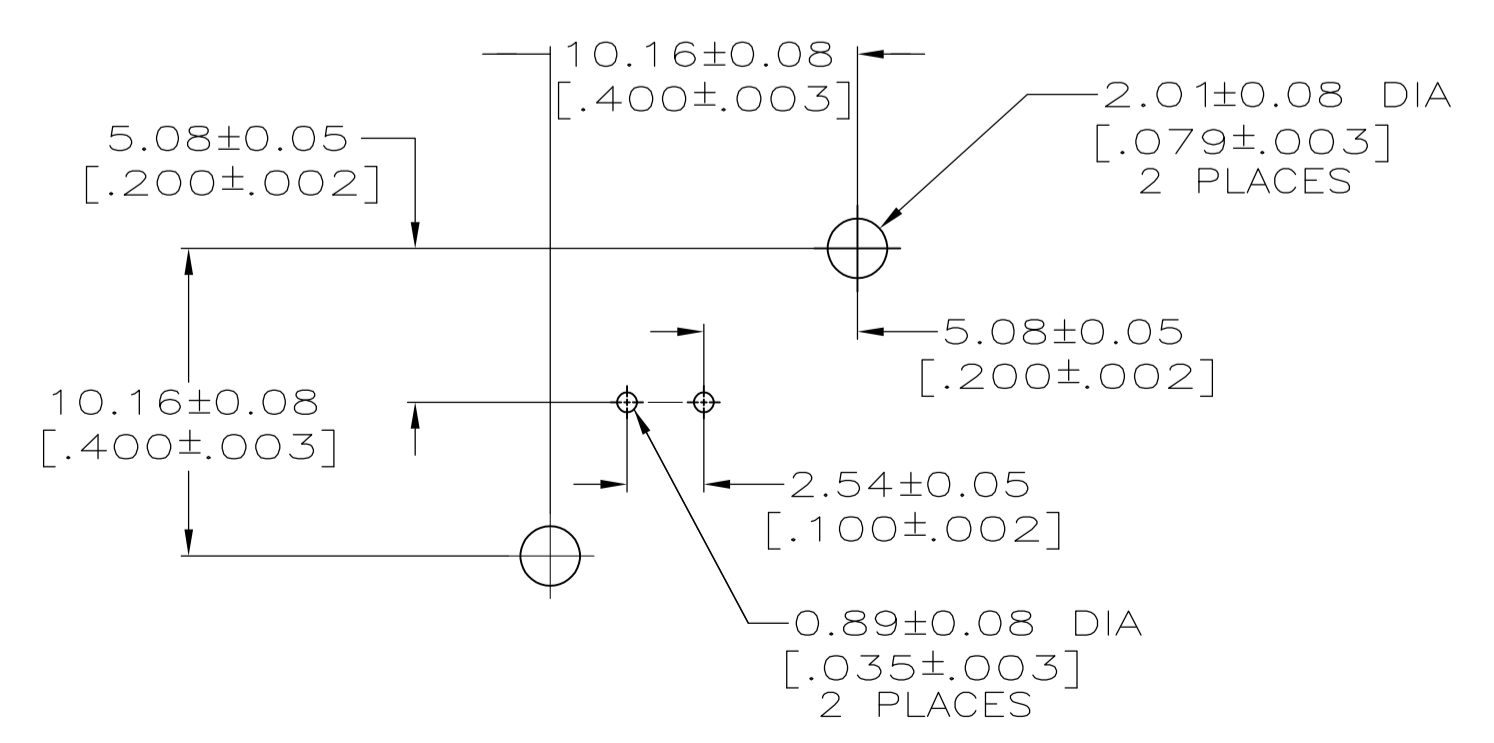
LOC		DIST		REVISIONS			
P	LTR	DESCRIPTION	DATE	DN	APVD		
A1		REVISED PER ECO-11-005030	11MAR11	RK	HMR		



- 1 ZINC PER QQ-Z-363.
- 2 POLYMETHYLPENTENE, GENERAL PURPOSE.
- 3 BERYLLIUM COPPER PER QQ-C-530.
- 4 BRASS PER ASTM-B-453.
- 5 BRASS PER ASTM-B-16.
- 6 NICKEL PLATE PER QQ-N-290, 3.81 μm [.000150] MINIMUM THICK.
- 7 TIN PLATE PER ASTM-B-545, 3.81 μm [.000150] MINIMUM THICK.
- 8 GOLD PLATE PER MIL-G-45204, 0.76 μm [.000030] MINIMUM THICK.
- 9. SEE INSTRUCTION SHEET 408-2769.



RECOMMENDED PANEL CUTOUT



PCB CONFIGURATION

5222132-1  
PART NUMBER

THIS DRAWING IS A CONTROLLED DOCUMENT.		BIN J. ALCORTA - 21APR2005		TE Connectivity											
DIMENSIONS: mm (INCHES)		DOCK 5 J. HAVENER 21APR2005													
TOLERANCES UNLESS OTHERWISE SPECIFIED:		APVD J. LIPPERT 21APR2005		NAME JACK, VERTICAL, PCB 75 OHM, SERIES BNC											
<table border="1"> <tr><td>0 PL</td><td>± -</td></tr> <tr><td>1 PL</td><td>± -</td></tr> <tr><td>2 PL</td><td>± 0.20 [.008]</td></tr> <tr><td>3 PL</td><td>± -</td></tr> <tr><td>4 PL</td><td>± -</td></tr> </table>		0 PL	± -	1 PL	± -	2 PL	± 0.20 [.008]	3 PL	± -	4 PL	± -	APPLICATION SPEC		SIZE A1	
0 PL	± -														
1 PL	± -														
2 PL	± 0.20 [.008]														
3 PL	± -														
4 PL	± -														
MATERIAL SEE NOTES 1-5		FINISH SEE NOTES 6-8		WEIGHT -											
CUSTOMER DRAWING		SCALE 4:1		SHEET 1 OF 1											
		DRAWING NO. 00779		RESTRICTED TO -											
		C=5222132		REV A1											

单击下面可查看定价，库存，交付和生命周期等信息

[>>TE Connectivity\(泰科\)](#)