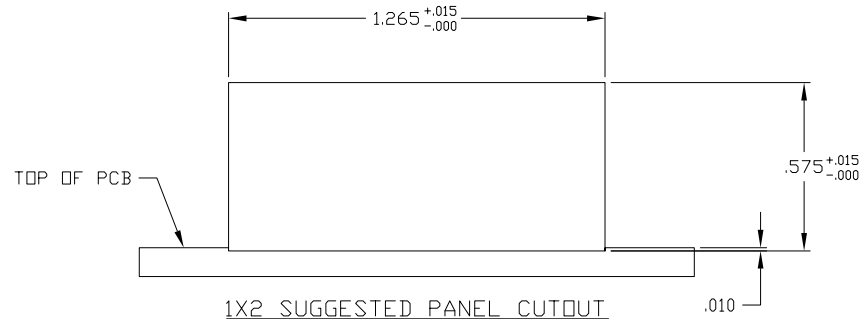
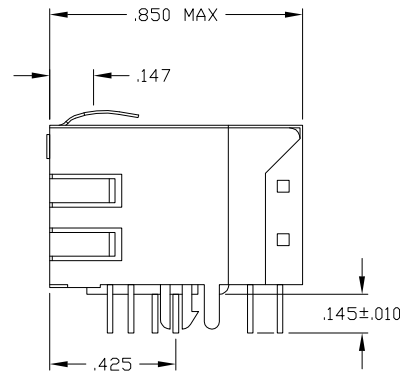
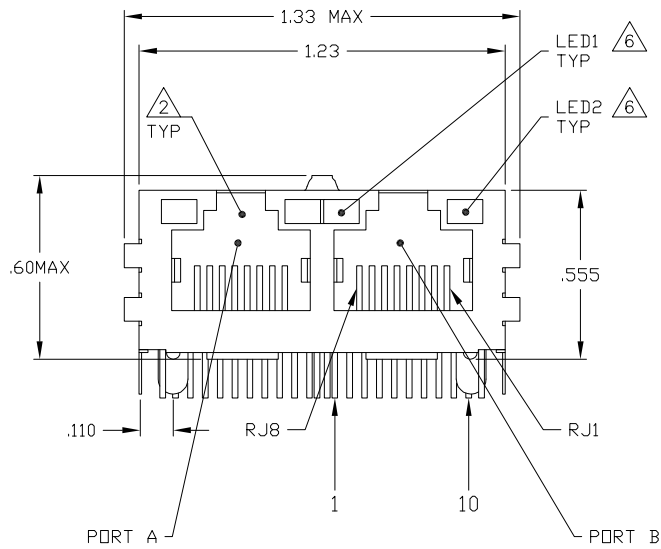
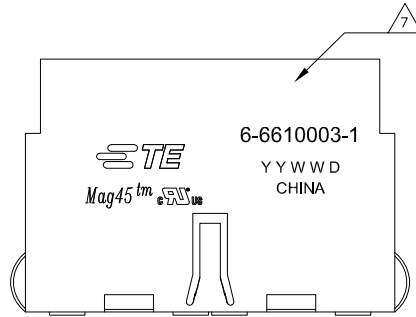


LOC	DATE	REVISIONS	DATE	BY	APP'D
AA	22				
C	REV PER ECO-08-021860		08APR2008	VL	TX
C1	REVISED PER ECO-09-024827		10NOV09	KK	AEG
D	ECO-11-013928		30MAY2011	EL	LR

MECHANICAL:

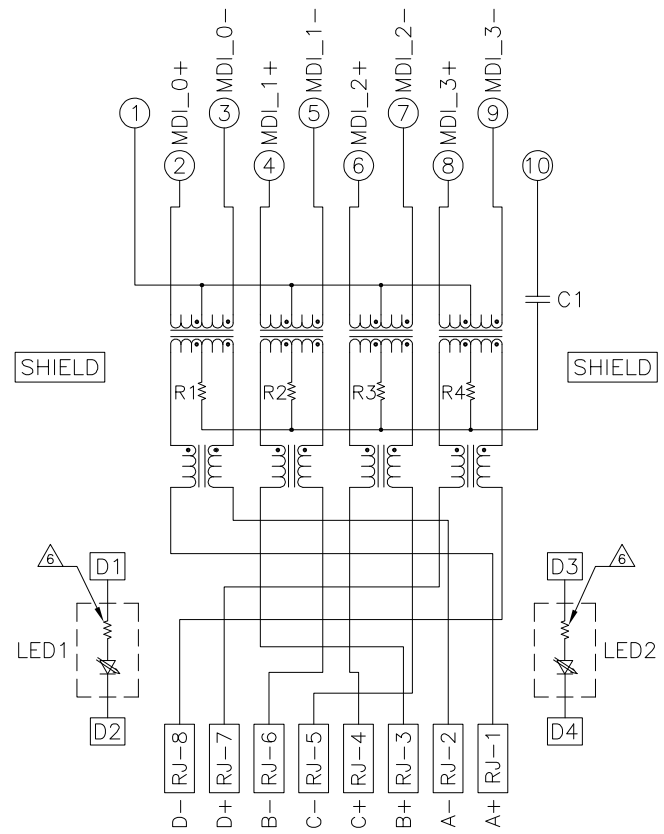


- 1. MATERIALS:
 -HOUSING - THERMOPLASTIC PET POLYESTER FLAMMABILITY RATING UL 94V-0.
 -SHIELD - .010" THICK, C26800 BRASS PREPLATED WITH 30μINCH MIN SEMI-BRIGHT NICKEL.
 -SOLDER TABS POST DIPPED WITH 100μINCH MIN SAC SOLDER.
 -MOD JACK CONTACTS - 0.0157 X 0.018" PHOSPHOR BRONZE, 50μINCH MIN OVERALL NICKEL UNDERPLATE WITH SELECT 50μINCH MIN HARD GOLD FINISH PLATE. SOLDER TAILS WITH 100μINCH MIN MATTE TIN AND/OR SAC SOLDER DIP.
 -LIGHT EMITTING DIODE(LED) - DIFFUSED EPOXY LENS, .020" X .020" CARBON STEEL WIREFRAME LEADS PRE-PLATED WITH 80μINCH SILVER OVER 40μINCH NICKEL UNDERPLATE OVER 40μINCH COPPER UNDERPLATE. POST-PLATED WITH 100μINCH MIN MATTE TIN AND/OR SAC SOLDER DIP OR PURE TIN SOLDER DIP.
- 2. RJ45 JACK CAVITY CONFORMS TO FCC RULES AND REGULATIONS PART 68, SUB PART F.
- 3. MAGNETICS
 -IMPEDANCE: 100 OHMS
 -TURNS RATIO (CHIP: CABLE): 1:1 ALL FOUR PAIRS
 -OPEN CIRCUIT INDUCTANCE (OCL): 350μH MIN @100kHz, 0.1VRMS, 8mADC BIAS FROM 0°C TO 70°C, ALL FOUR PAIRS
 -ALL FOUR PAIRS BI-DIRECTIONAL
 -PERFORMANCE @ 25°C:
 INSERTION LOSS (IL): 1.1dB MAX FROM 0.5MHz TO 100MHz
 RETURN LOSS (RL): 18dB MIN FROM 0.5MHz TO 4.0MHz
 12-20LOG(f/80)dB MIN FROM 4.0.1MHz TO 100MHz
 CROSSTALK ATTENUATION: 35dB MIN FROM 0.5MHz TO 40MHz
 33-20LOG(f/50)dB MIN FROM 4.0.1MHz TO 100MHz
 COMMON MODE REJECTION RATIO (CMRR): 30dB MIN FROM 0.5MHz TO 100MHz
 -ISOLATION VOLTAGE: 2250VDC (MAX) FOR 60 SECONDS WITH A RISE TIME OF 500V/SEC AND WITH ALL PORTS CONNECTED.
- 4. OPERATING TEMPERATURE: FROM 0° TO +70°C
- 5. INDICATED MAGNETIC CONNECTIONS ARE SYMMETRICAL TO ACCOMMODATE AUTO-MDI/MDIX.
- 6. THE 250 OHM LED RESISTORS ARE OPTIONAL, PLEASE SEE CHART FOR PRESENCE OR ABSENCE OF LED RESISTORS. IF THE LED WITHOUT 250 OHM RESISTORS, LED IS DRIVEN WITH CONSTANT CURRENT AT APPROX 20mA.
 LED COLOR : DOMINANT WAVELENGTH (λD): GREEN 568 nm TYP. at IF=20mA
 FORWARD VOLTAGE (VF): GREEN 2.2V TYP. at IF=20mA
 DOMINANT WAVELENGTH (λD): YELLOW 588 nm TYP. at IF=20mA
 FORWARD VOLTAGE (VF): YELLOW 2.1V TYP. at IF=20mA.
 IF THE LED WITH 250 OHM RESISTORS, LED IS DRIVEN WITH 5V VOLTAGE AND THE MAX OPERATING CURRENT IS 20mA.
 LED COLOR : DOMINANT WAVELENGTH (λD): GREEN 568 nm TYP. At VF=5V
 FORWARD CURRENT (IF): GREEN 12 mA TYP. at VF=5V
 DOMINANT WAVELENGTH (λD): YELLOW 588 nm TYP. At VF=5V
 FORWARD CURRENT (IF): YELLOW 13 mA TYP. at VF=5V
- 7. TE CONNECTIVITY LOGO, PART NUMBER, DATE CODE, COUNTRY OF ORIGIN AND AGENCY APPROVAL MARKING IN APPROXIMATE LOCATION SHOWN.
- 8. THESE PARTS ARE RECOMMENDED FOR WAVE SOLDERING PROCESS, PREHEAT TEMPERATURE IS 120°C TO 160°C, 120 SECONDS TO 180 SECONDS, PEAK WAVE SOLDERING TEMPERATURE IS 260°C MAX, 10 SECONDS MAX.
- 9. OBSOLETE PARTS: OBSOLETE CIS STREAMLINING PER D.RENAUD/D.SINISI

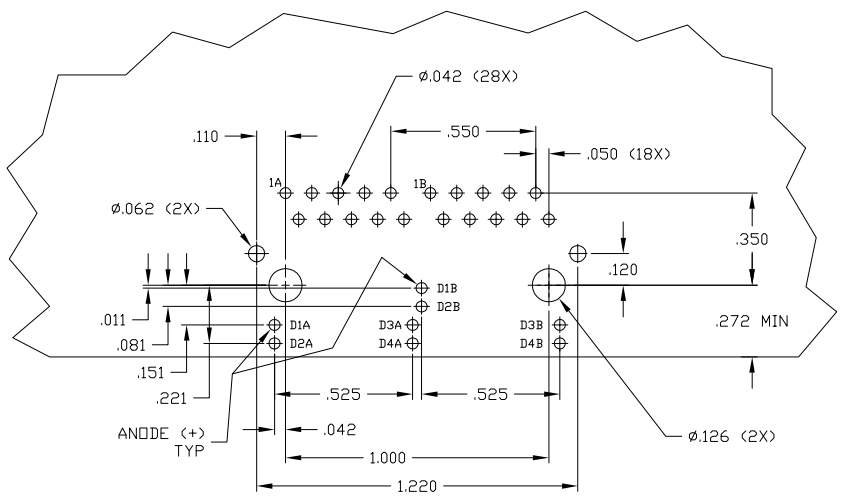
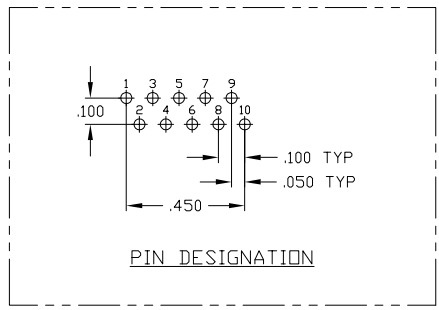
YES	GREEN	YES	GREEN	YES	6-6610003-1
YES	GREEN	NO	YELLOW	NO	5-6610003-8
YES	YELLOW	YES	GREEN	YES	5-6610003-2
△ OBSOLETE	YES	GREEN	YES	YELLOW	5-6610003-4
DECOUPLING CAPACITOR	LED1	250 OHMS RESISTOR △	LED2	250 OHMS RESISTOR △	PART NUMBER

THIS DRAWING IS A CONTROLLED DOCUMENT.		DWG. NO. VARELA - 03062008		TE Connectivity	
DIMENSIONS:	INCHES	D. FAROLE	10MM2008	1X2 MAG45(TM) MODULAR JACK, 7G1P1 SCHEMATIC, 7G01P1 GIGABIT CIRCUIT (10 PIN HORIZONTAL), SHIELDED, WITH LEADS	
0 P.C. ± .010	1 P.C. ± .010	APD	10MM2008	SIZE	A1
2 P.C. ± .010	3 P.C. ± .010	PRODUCT SPEC	108-2100	CAGE CODE	00779
4 P.C. ± .010	5 P.C. ± .010	APPLICATION SPEC		DRAWING NO.	C=6610003
MATERIAL	FINISH	WEIGHT		SCALE	4:1
				SHEET	1 OF 2
				REV	D

7G01P1 GIGABIT MAGNETIC CIRCUIT



C1 = 1000pF, 2kV CAPACITOR
 R1-R4 = 75 OHMS, 1/16 W RESISTORS



SUGGESTED PCB LAYOUT
 (Component Side)

THIS DRAWING IS A CONTROLLED DOCUMENT.		REV	1	DATE	10MAR2008
DRAWN BY		DESIGNED BY	CHKD BY	APPD BY	NAME
DIMENSIONS:		DRAWN BY: J. VARELA - 10MAR2008			
INCHES		DESIGNED BY: D. FAROLE - 10MAR2008			
MATERIAL		APPD BY: D. FAROLE - 10MAR2008			
FINISH		NAME			
0 PLG ± .005		PRODUCT SPEC			
1 PLG ± .010		APPLICATION SPEC			
2 PLG ± .015		SIZE			
3 PLG ± .020		CAGE CODE			
4 PLG ± .025		DRAWING NO			
ANGLES ± .005		A1 00779 C=6610003			
WEIGHT		CUSTOMER DRAWING			
SCALE		4:1			
SHEET		2 of 2			
REV		D			

单击下面可查看定价，库存，交付和生命周期等信息

[>>TE Connectivity\(泰科\)](#)