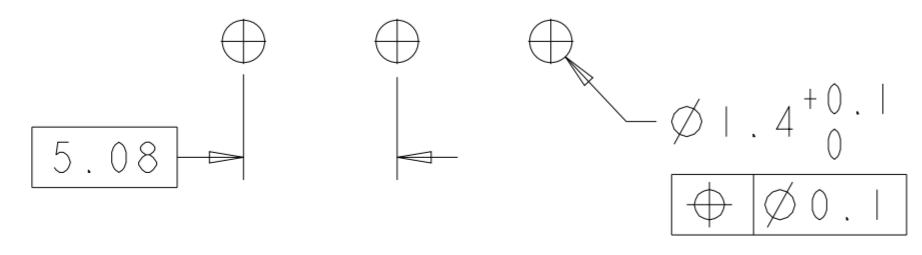
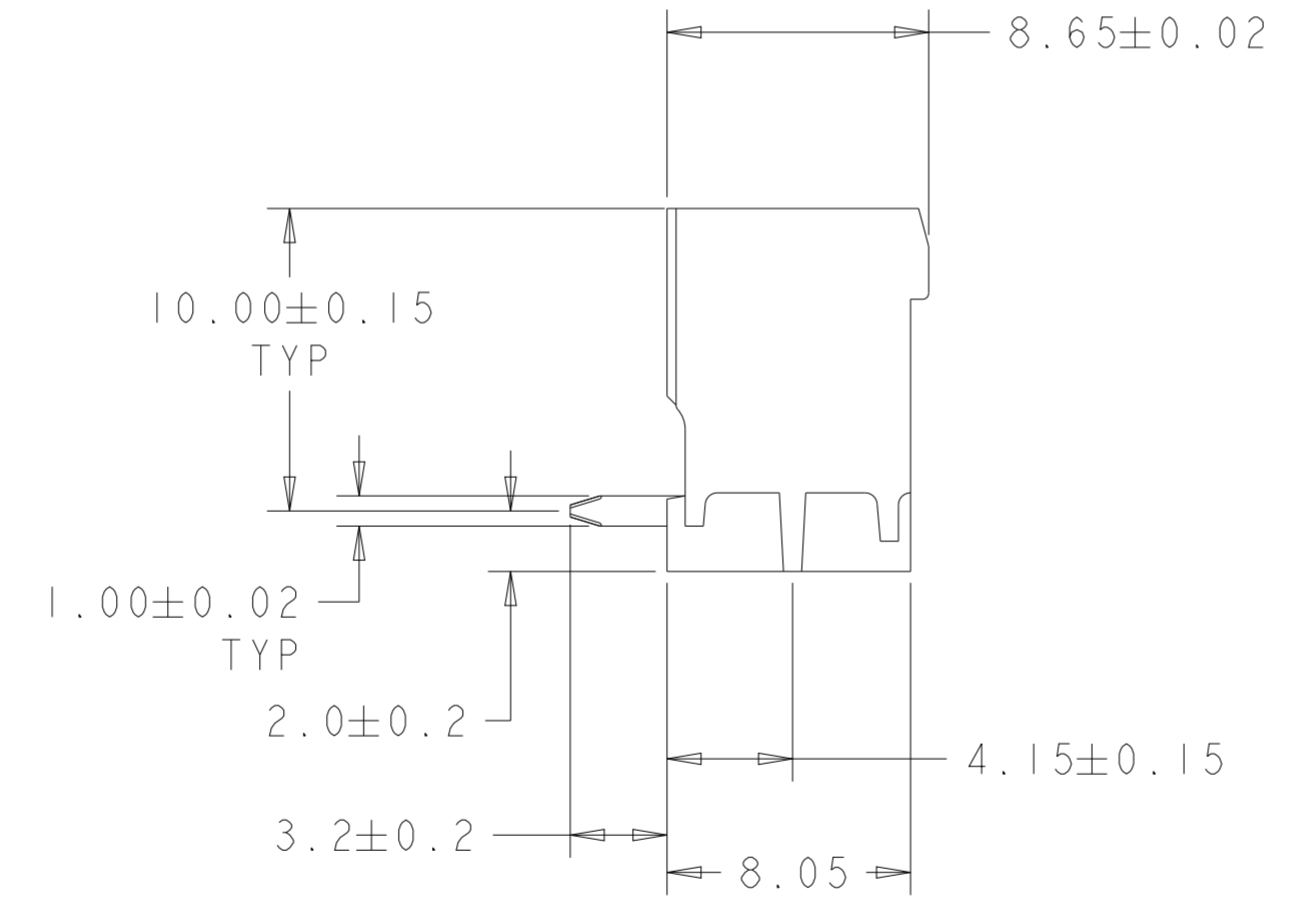
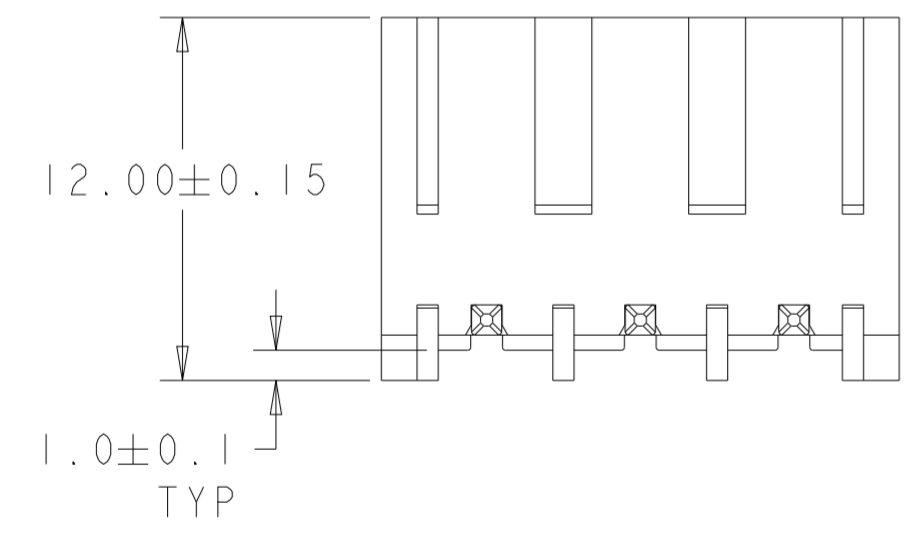
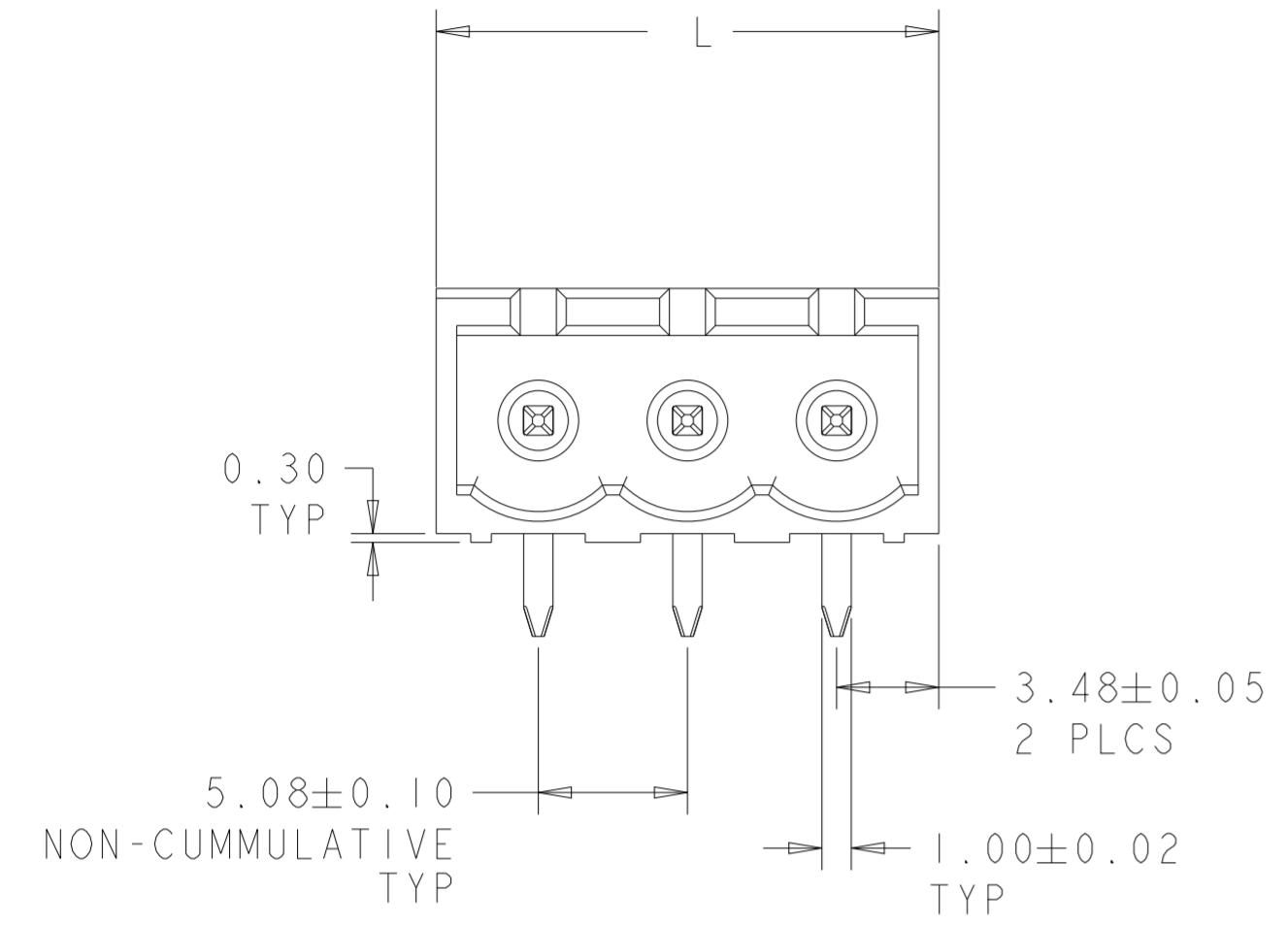
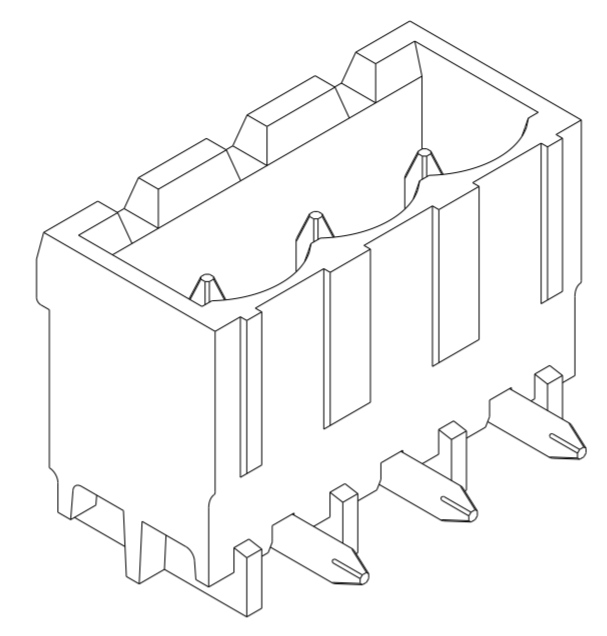


THIS DRAWING IS UNPUBLISHED. RELEASED FOR PUBLICATION 20  
 © COPYRIGHT 20 BY - ALL RIGHTS RESERVED.

LOC		DIST		REVISIONS			
P	LTR	DESCRIPTION	DATE	DWN	APVD		
		A7	REVISED PER ECO-12-007711	26APR2012	KH	MS	
		A8	1776038-7 PART OBSOLETE	29JUL2021	GMN	PS	



RECOMMENDED PC BOARD LAYOUT

- 1. MATERIALS AND FINISH:  
 HOUSING: NYLON OR POLYESTER, HIGH TEMPERATURE, UL 94-V0, COLOR: BLACK.  
 TERMINAL: COPPER ALOOY, FINISH: SEE TABLE.
- 2. SUITABLE FOR 1,6-2, 4mm PC BOARD THICKNESS.
- 3. RECOGNIZED UNDER THE COMPONENT PROGRAM OF UNDERWRITERS LABORATORIES INC. FILE N° E60677.
- 4. IMQ CERTIFICATE WITH SURVEILLANCE IN CONFORMITY WITH IEC 998-1/998-2-1.
- 5. PARTS PLACED ON 44mm WIDE TAPE X 20mm PITCH AND PACKAGED ON REEL.

OBSOLETE	0.8µm GOLD	-	22.20±0.10	4	1-1776038-6
OBSOLETE	TIN PLATED	5	27.28±0.10	5	1-1776038-5
OBSOLETE	TIN PLATED	5	22.20±0.10	4	1-1776038-4
OBSOLETE	TIN PLATED	-	62.84±0.20	12	1-1776038-2
OBSOLETE	TIN PLATED	-	57.76±0.20	11	1-1776038-1
OBSOLETE	TIN PLATED	-	52.68±0.20	10	1-1776038-0
OBSOLETE	TIN PLATED	-	47.60±0.15	9	1776038-9
OBSOLETE	TIN PLATED	-	42.52±0.15	8	1776038-8
OBSOLETE	TIN PLATED	-	37.44±0.15	7	1776038-7
OBSOLETE	TIN PLATED	-	32.36±0.15	6	1776038-6
OBSOLETE	TIN PLATED	-	27.28±0.10	5	1776038-5
OBSOLETE	TIN PLATED	-	22.20±0.10	4	1776038-4
OBSOLETE	TIN PLATED	-	17.12±0.10	3	1776038-3
OBSOLETE	TIN PLATED	-	12.04±0.10	2	1776038-2
CONTACT FINISH	PACKAGING	DIM L	NO OF POSN	PART NUMBER	

THIS DRAWING IS A CONTROLLED DOCUMENT. DWN S. WELDON 09JUL2004  
 CHK C. RICHARD 12JUL2004  
 APVD C. RICHARD 12JUL2004

**STE** TE Connectivity

NAME: TERMINAL BLOCK HEADER ASSEMBLY, 90 DEGREE, CLOSED ENDS, HIGH TEMPERATURE, 5.08mm PITCH

SIZE: A2 CAGE CODE: 00779 DRAWING NO: C-1776038 RESTRICTED TO: A8

RECOMMENDED CUSTOMER SCALE: 4:1 SHEET 1 OF 1 REV: A8

单击下面可查看定价，库存，交付和生命周期等信息

[>>TE Connectivity\(泰科\)](#)