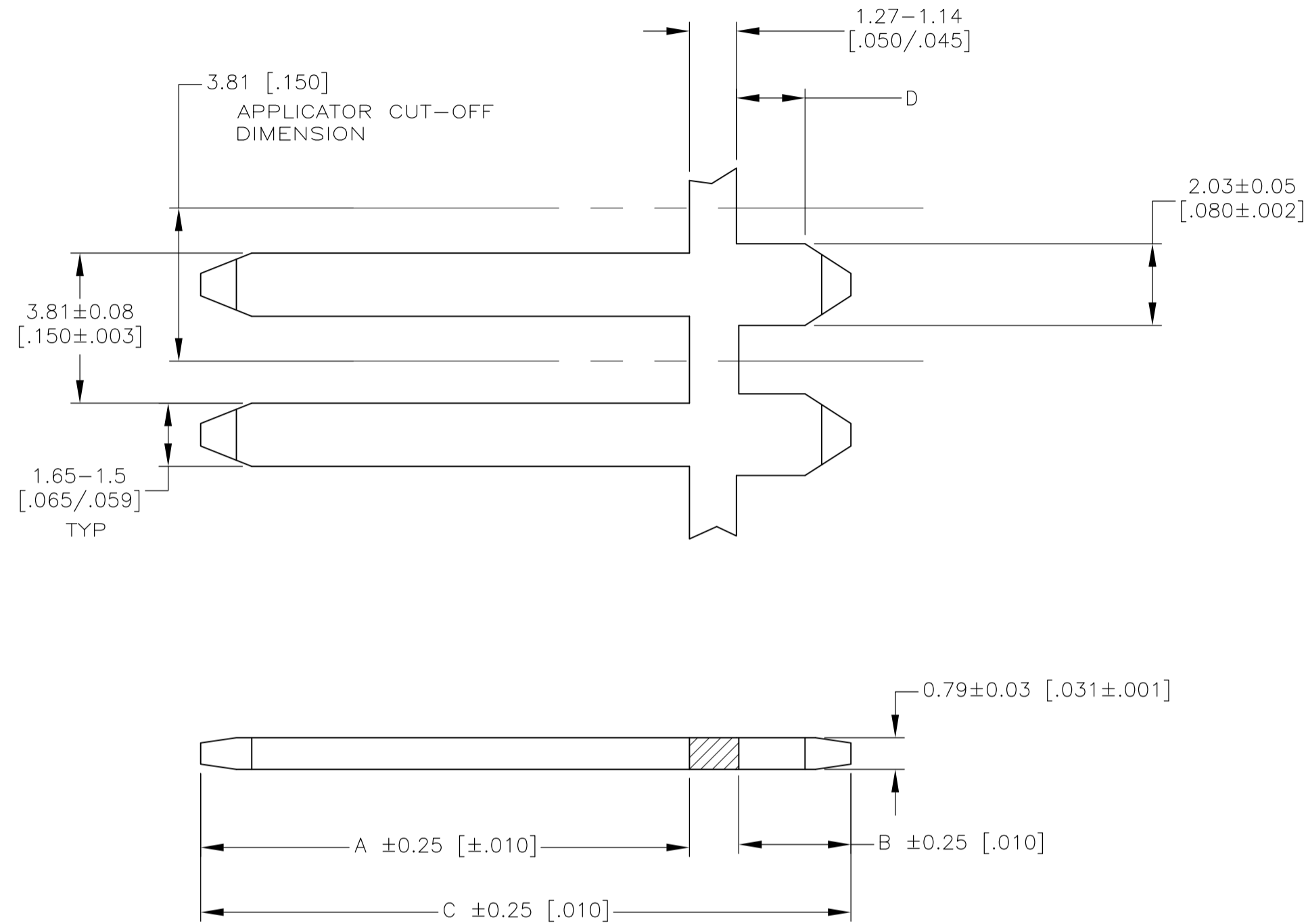


THIS DRAWING IS UNPUBLISHED. RELEASED FOR PUBLICATION
 © COPYRIGHT BY TYCO ELECTRONICS CORPORATION. ALL RIGHTS RESERVED.

LOC	DIST	REVISIONS				
P	LTR	DESCRIPTION	DATE	DWN	APVD	
AD	00	E	ECO-07-020237	11SEP07	MB	JO



1. RECOMMENDED HOLE SIZE 1.98±0.05 [.078±.002] DIA.
2. THIS POST IS NOT COMPATIBLE WITH TERMI-POINT APPLICATIONS
3. 0.00254-0.00508 [.000100-.000200] BRIGHT TIN OVER 0.000762 [.000030] NICKEL
4. THE ENDS OF THE CONTACT STRIP SHALL NOT BE PHYSICALLY ATTACHED TO EACH OTHER AT THE LOCATION OF ANY REQUIRED SPLICES.

	1.78-1.52 [.070-.060]	3	16.20 [.638]	2.79 [.110]	12.19 [.480]	147506-2
OBSOLETE	2.03-1.88 [.080-.074]	3	18.16 [.715]	4.75 [.187]	12.19 [.480]	147506-1
	D	FINISH	C	B	A	STRIP PART NUMBER

THIS DRAWING IS A CONTROLLED DOCUMENT.		DWN B. HAYMAKER 31AUG00	Tyco Electronics Tyco Electronics Corporation Harrisburg, PA 17105-3608			
DIMENSIONS: INCHES		CHK M. ZITTO 17NOV00	NAME CONTACT, MOD I, MALE, .031 X .062			
TOLERANCES UNLESS OTHERWISE SPECIFIED:		APVD M. ZITTO 17NOV00	PRODUCT SPEC			
0 PLC ± -		APPLICATION SPEC				
1 PLC ± -		SIZE A2				
2 PLC ± -		CAGE CODE 00779				
3 PLC ± -		DRAWING NO C-147506				
4 PLC ± -		RESTRICTED TO				
ANGLES ± -		SCALE 8:1				
MATERIAL BRASS		WEIGHT -		SHEET 1 of 1		
FINISH SEE TABLE		CUSTOMER DRAWING		REV E		

单击下面可查看定价，库存，交付和生命周期等信息

[>>TE Connectivity\(泰科\)](#)