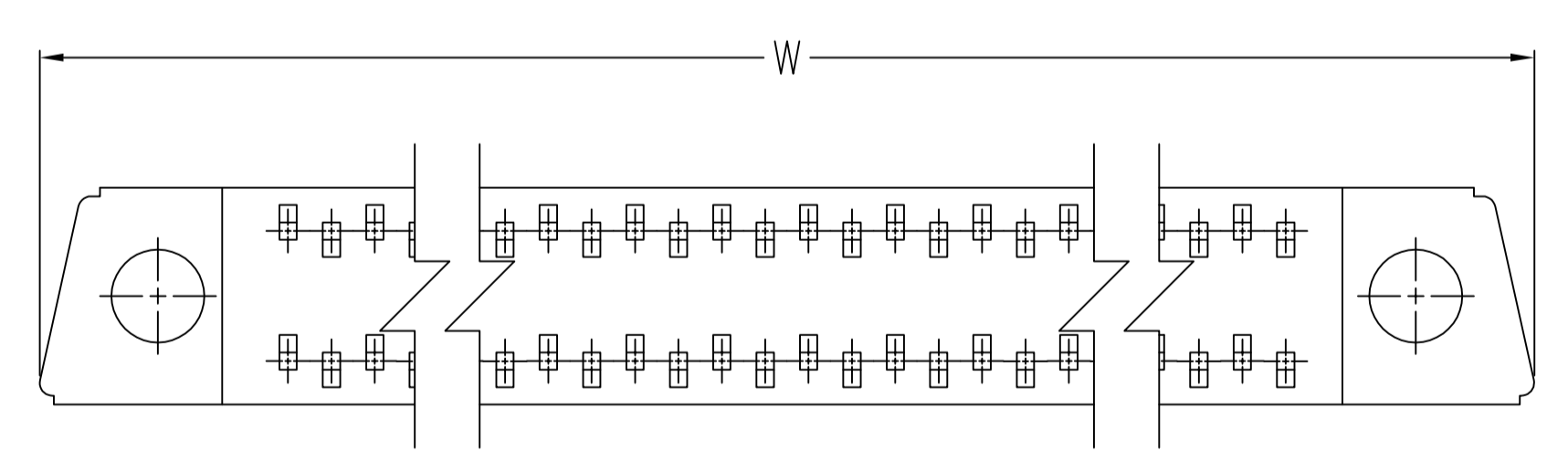
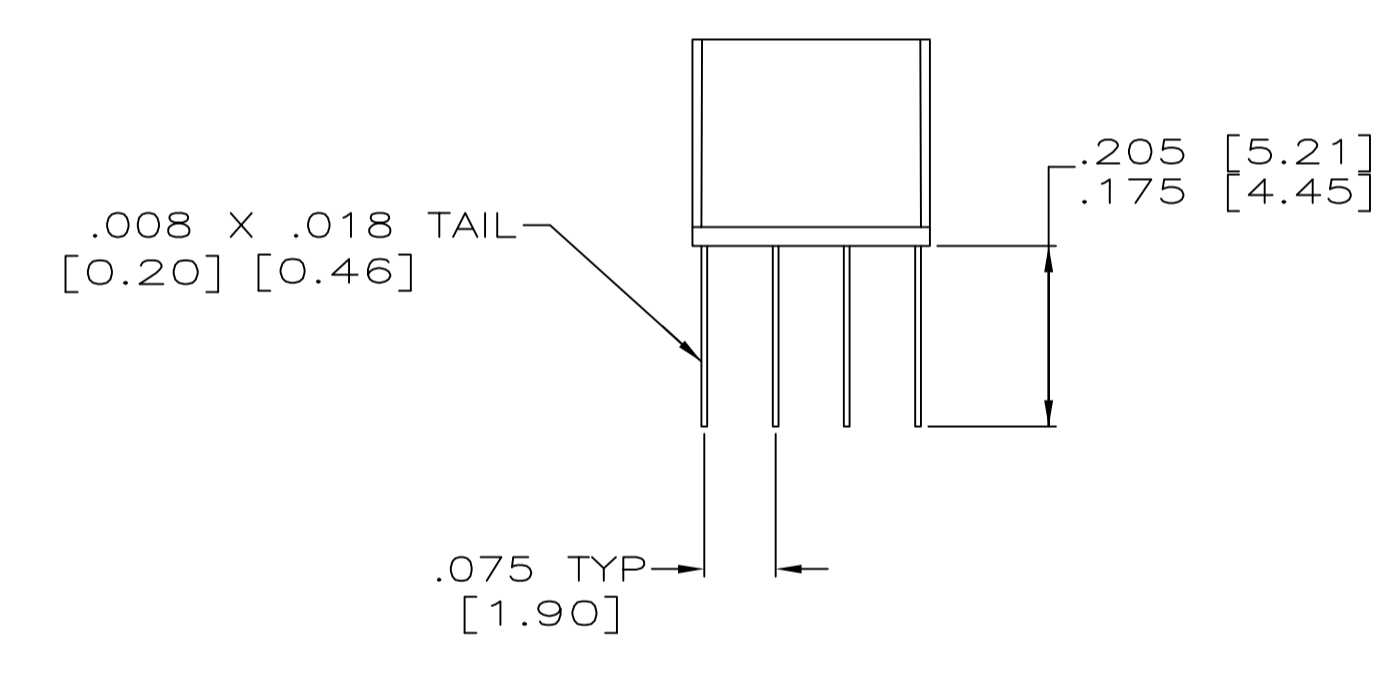
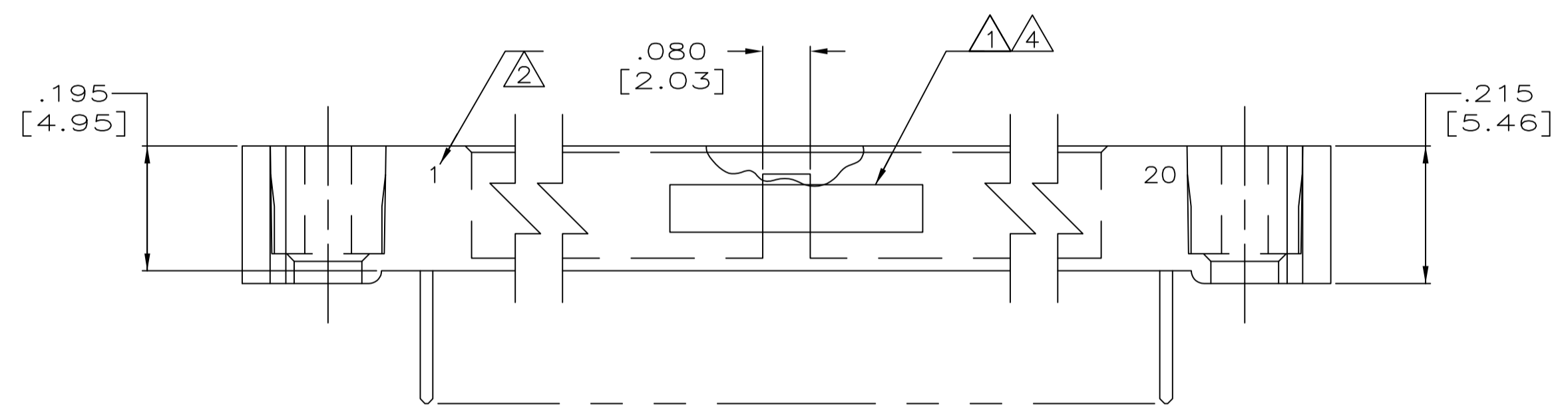
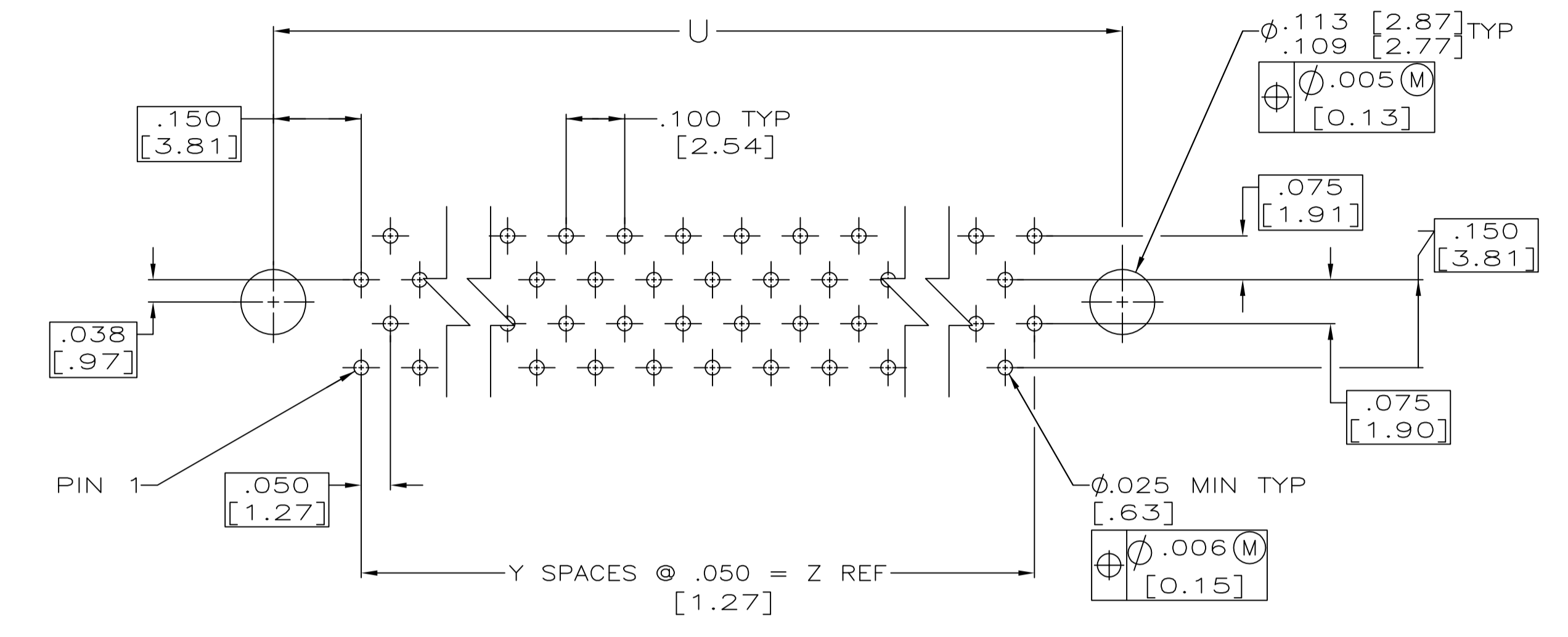
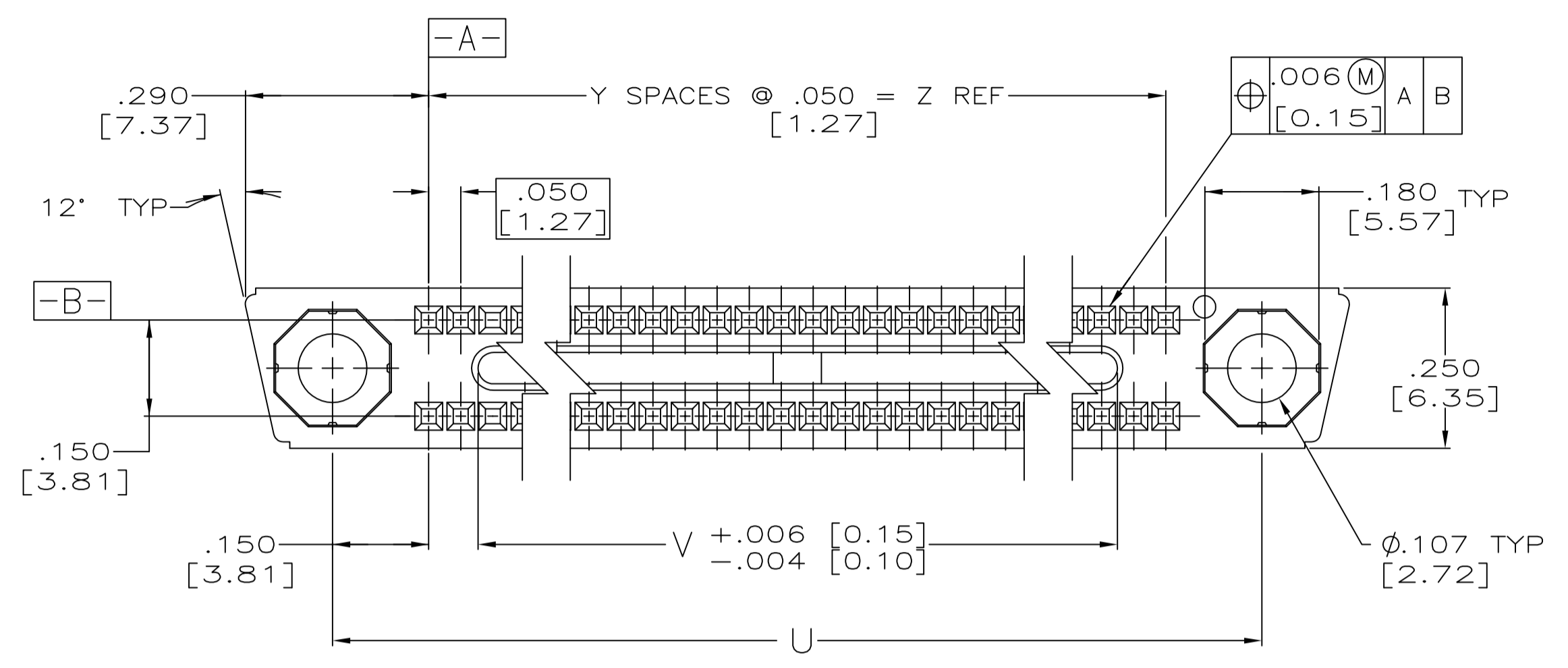


REVISIONS				
P	LTR	DESCRIPTION	DATE	OWN APVD
H		REVISED PER ECO-16-017894	27APR2017	PHM CT



- 1 IDENTIFICATION MARKING INCLUDES AMP, PART NO., & DATE CODE.
- 2 NUMBERS INDICATING END POSITIONS MARKED THIS SIDE ONLY.
- 3. MEETS ALL APPLICABLE REQUIREMENTS OF MIL-C-55302.
- 4 SPECIAL MARKING FOR -1 ONLY: AMP, DATE CODE, AND CUSTOMER PART NUMBER.
- 5 CONTACT FINISH: .000050 GOLD IN CONTACT AREA, TIN-LEAD ON TAILS, ALL OVER .000030 NICKEL.
- 6 HOUSING MATERIAL: LIQUID CRYSTAL POLYMER PER MIL-M-24519, GLCP-30F; COLOR: GRAY.

OBSELETE	-	1 - 40	1.950 [49.53]	39	2.540 [64.52]	1.800 [45.72]	2.250 [57.15]	80	531101-2
	PC 78619-2	1 - 64	3.150 [80.01]	63	3.740 [95.00]	3.000 [76.20]	3.450 [87.63]	128	531101-1
	CUSTOMER PART NUMBER	CONTACT IDENT NUMBERS	Z	Y	W	V	U	NUMBER OF CONTACTS	PART NUMBER

THIS DRAWING IS A CONTROLLED DOCUMENT.		OWN T. ALEXANDER 12-6-91	
DIMENSIONS: INCHES		D. GUTTER 1-3-92	
TOLERANCES UNLESS OTHERWISE SPECIFIED:		APVD D. GUTTER 1-3-92	
0 PLC ± -	1 PLC ± -	NAME	
2 PLC ± -	3 PLC ± .005 [0.13]	D. GUTTER	
4 PLC ± -	ANGLES ± 0°30'	PRODUCT SPEC	
MATERIAL -		APPLICATION SPEC	
FINISH -		SIZE CAGE CODE DRAWING NO	
6		A1 00779 C=531101	
5		RESTRICTED TO	
CUSTOMER DRAWING		SCALE 1:1 SHEET 1 OF 1 REV H	

单击下面可查看定价，库存，交付和生命周期等信息

[>>TE Connectivity\(泰科\)](#)