

4

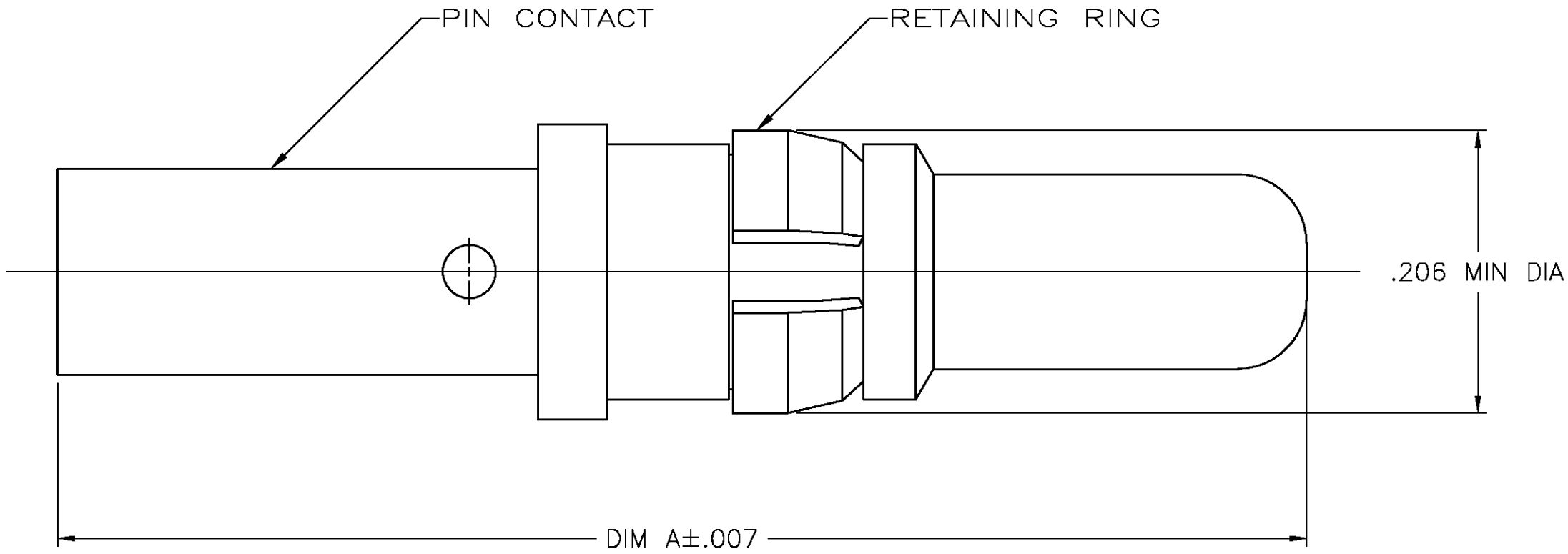
3

2

1

THIS DRAWING IS UNPUBLISHED. RELEASED FOR PUBLICATION
 © COPYRIGHT BY TYCO ELECTRONICS CORPORATION. ALL RIGHTS RESERVED.

LOC	DIST	REVISIONS			
P	LTR	DESCRIPTION	DATE	DWN	APVD
FT	0	E	REVISED PER 0G3B-0280-05	3/16/05	SS GS



.950	213662-2
.910	213662-1
DIM A	PART NUMBER

- 1. WIRE BARREL WILL ACCEPT 12-14 AWG WIRE.
- 2. PIN CONTACT: BRASS.
- RING RETAINING: PHOSPHOR BRONZE.
- 3. 0.76 μm [.000030] MIN GOLD OVER
- 1.27 μm [.000050] MIN NICKEL.
- 4. 1.27 μm [.000050] MIN NICKEL.

THIS DRAWING IS A CONTROLLED DOCUMENT.		DWN C DORWART 03/19/91	Tyco Electronics Corporation Harrisburg, Pa 17105-3608		
DIMENSIONS: INCHES 		CHK J McCLINTON 3-25-91			
TOLERANCES UNLESS OTHERWISE SPECIFIED: 0 PLC ± - 1 PLC ± - 2 PLC ± - 3 PLC ± .005 4 PLC ± - ANGLES ± -		APVD A TRAVIS 3-25-91	NAME PIN CONTACT ASSEMBLY, POWER VIII, METRIMATE		
MATERIAL - 2		FINISH PIN CONTACT: 3 RING RETAINING: 4	PRODUCT SPEC -	APPLICATION SPEC -	RESTRICTED TO -
		WEIGHT -	SIZE A3	CAGE CODE 00779	DRAWING NO C-213662
CUSTOMER DRAWING			SCALE 10:1	SHEET 1 OF 1	REV E

单击下面可查看定价，库存，交付和生命周期等信息

[>>TE Connectivity\(泰科\)](#)