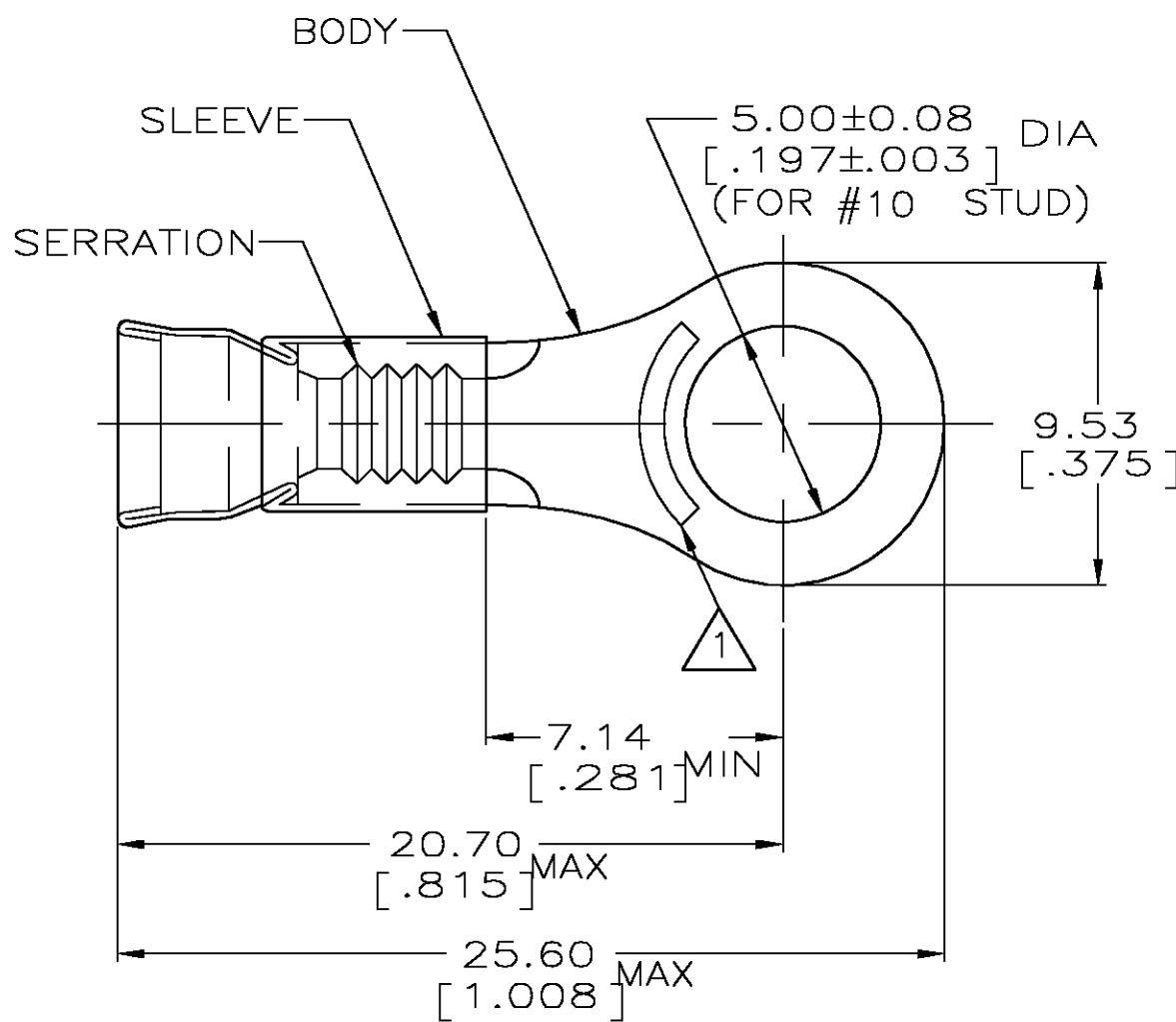


THIS DRAWING IS UNPUBLISHED. RELEASED FOR PUBLICATION
 © COPYRIGHT BY TYCO ELECTRONICS CORPORATION. ALL RIGHTS RESERVED.

LOC	DIST	REVISIONS					
		P	LTR	DESCRIPTION	DATE	DWN	APVD
G	14		N	REV PER OG3A-0279-03	02SEP03	JR	MS



- ① SEE TABLE FOR STAMPING
- 2 WIRE INSUL. DIA 3.18-5.84 [.150-.230]
- 3 TONGUE MATL THK, 1.02±0.05 [.040±.002]
- ④ MATERIAL: BODY - SEE TABLE
SLEEVE - NI SIL PER ASTM B122
- 5 MAX RECOMMENDED OPERATING TEMP
649°C [1200°F]
- 6 CIRCULAR MIL AREA 2.62mm² - 6.64mm²
[5180-13100] STARNDDED WIRE

	AMP 12-10	NICKEL PER ASTM B162	ORANGE	2500	ON TAPE, REEL	2-323750-5
OBSOLETE	AMP 12-10AL	ALUMEL	GREEN	500	LOOSE PIECE	2-323750-1
	AMP 12-10	NICKEL PER ASTM B162	ORANGE	500	LOOSE PIECE	323750
	STAMPING	BODY MATERIAL	SLV COLOR	QTY	PACKAGE TYPE	PART NO

THIS DRAWING IS A CONTROLLED DOCUMENT.

DWN	L OLMEDA	10OCT94	Tyco Electronics Corporation Harrisburg, PA 17105
CHK	M ELLIS	10OCT94	
APVD	S BORTNER	10OCT94	
DIMENSIONS: MM [INCHES] 			NAME
TOLERANCES UNLESS OTHERWISE SPECIFIED: 0 PLC ± - 1 PLC ± - 2 PLC ± 0.20 [.008] 3 PLC ± - 4 PLC ± - ANGLES ± -			TERMINAL, RING TONGUE, STRATO-THERM, DIAMOND GRIP WIRE SIZE 12-10 AWG
MATERIAL - ④ FINISH SEE TABLE			SIZE A3 CAGE CODE 00779 DRAWING NO C-323750 RESTRICTED TO -
CUSTOMER DRAWING			SCALE 4:1 SHEET 1 OF 1 REV N

单击下面可查看定价，库存，交付和生命周期等信息

[>>TE Connectivity\(泰科\)](#)