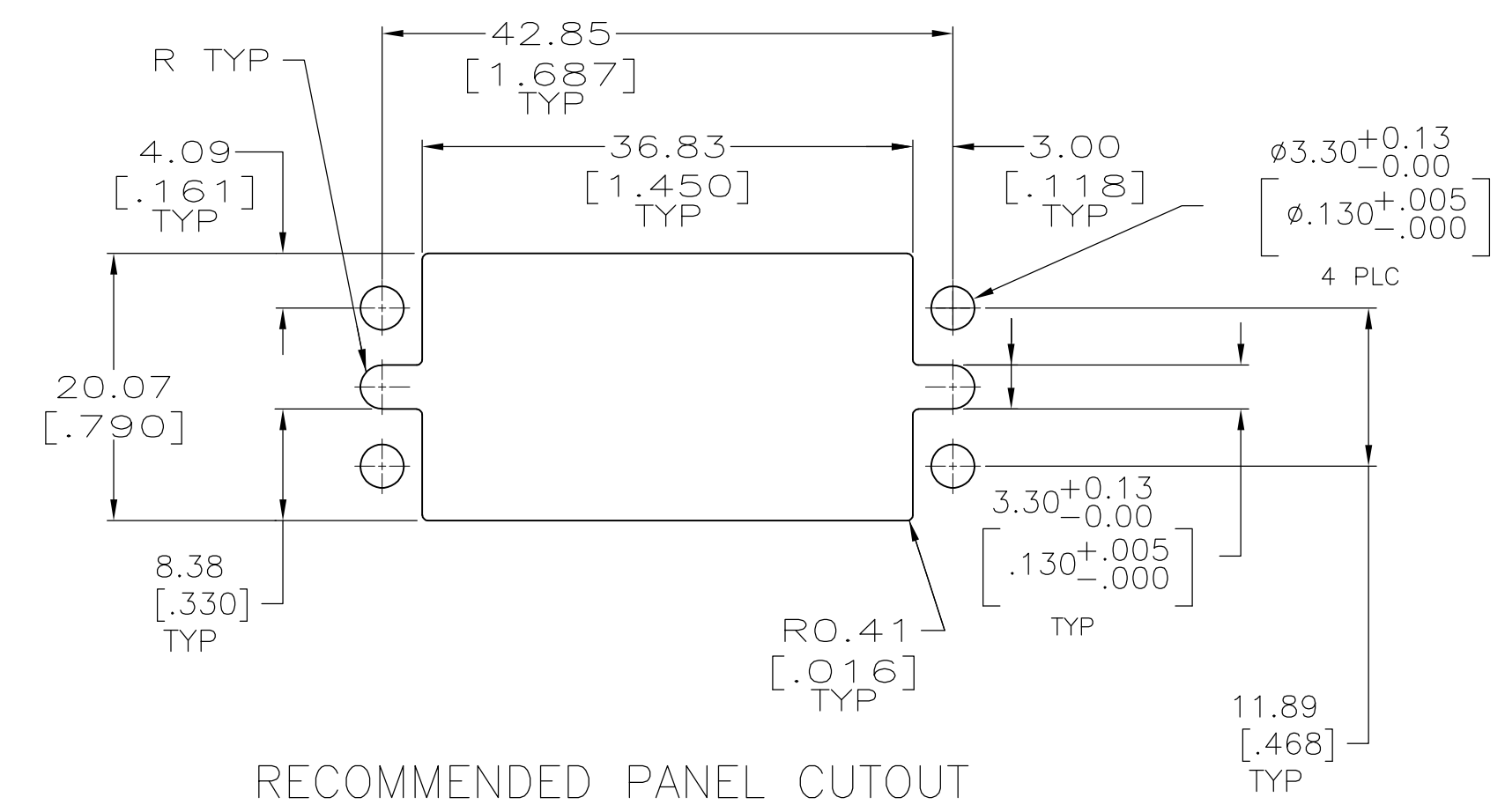
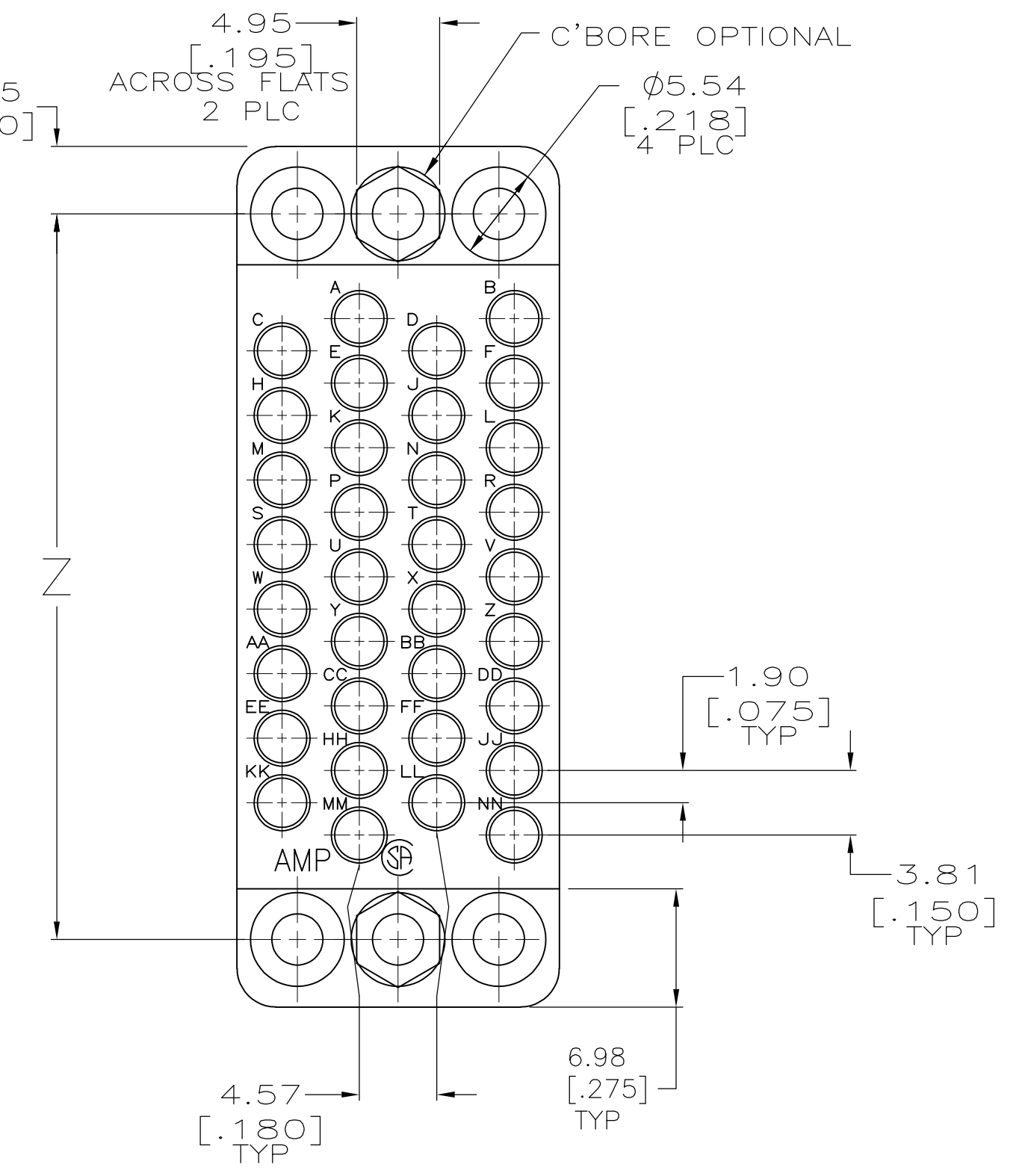
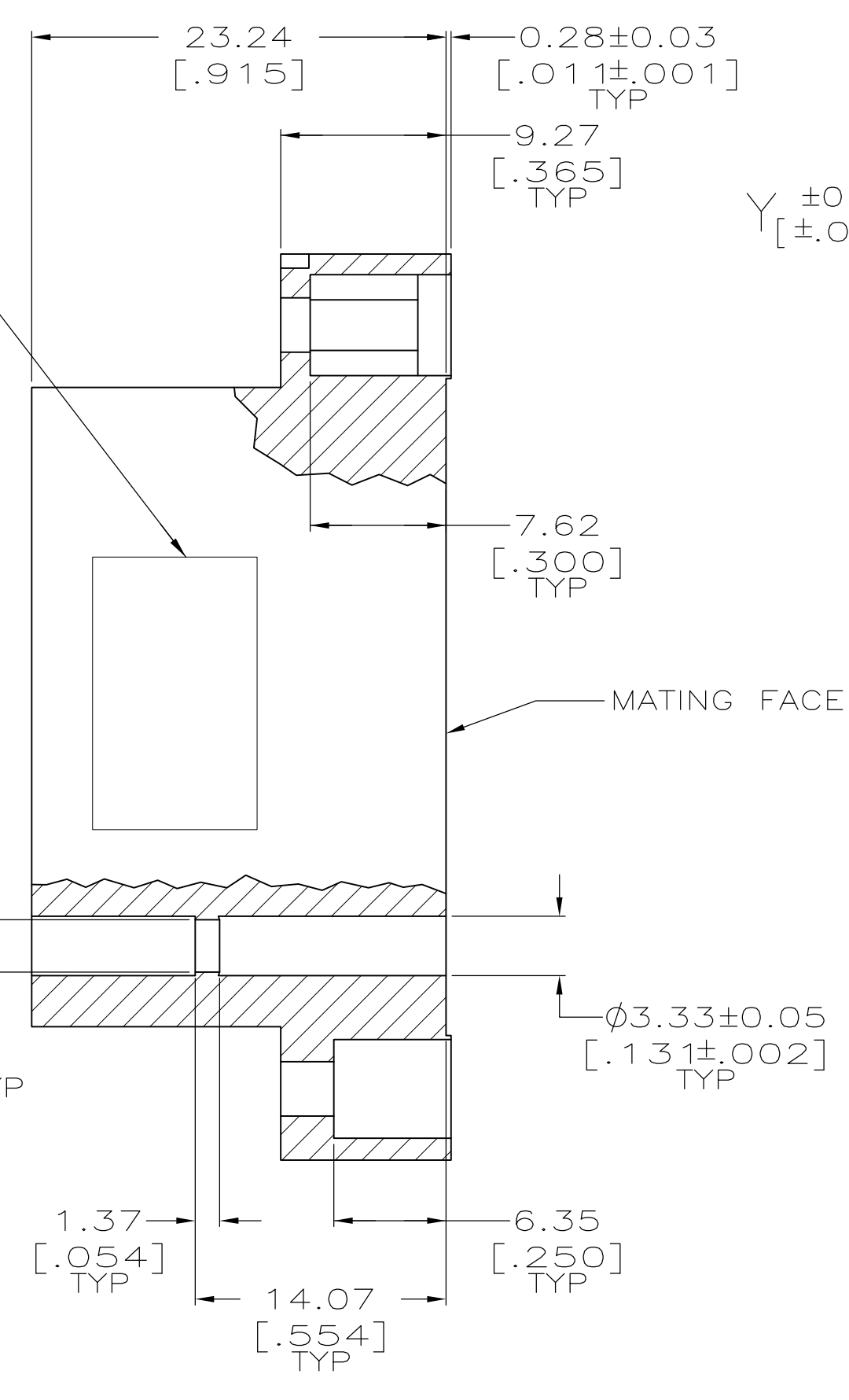
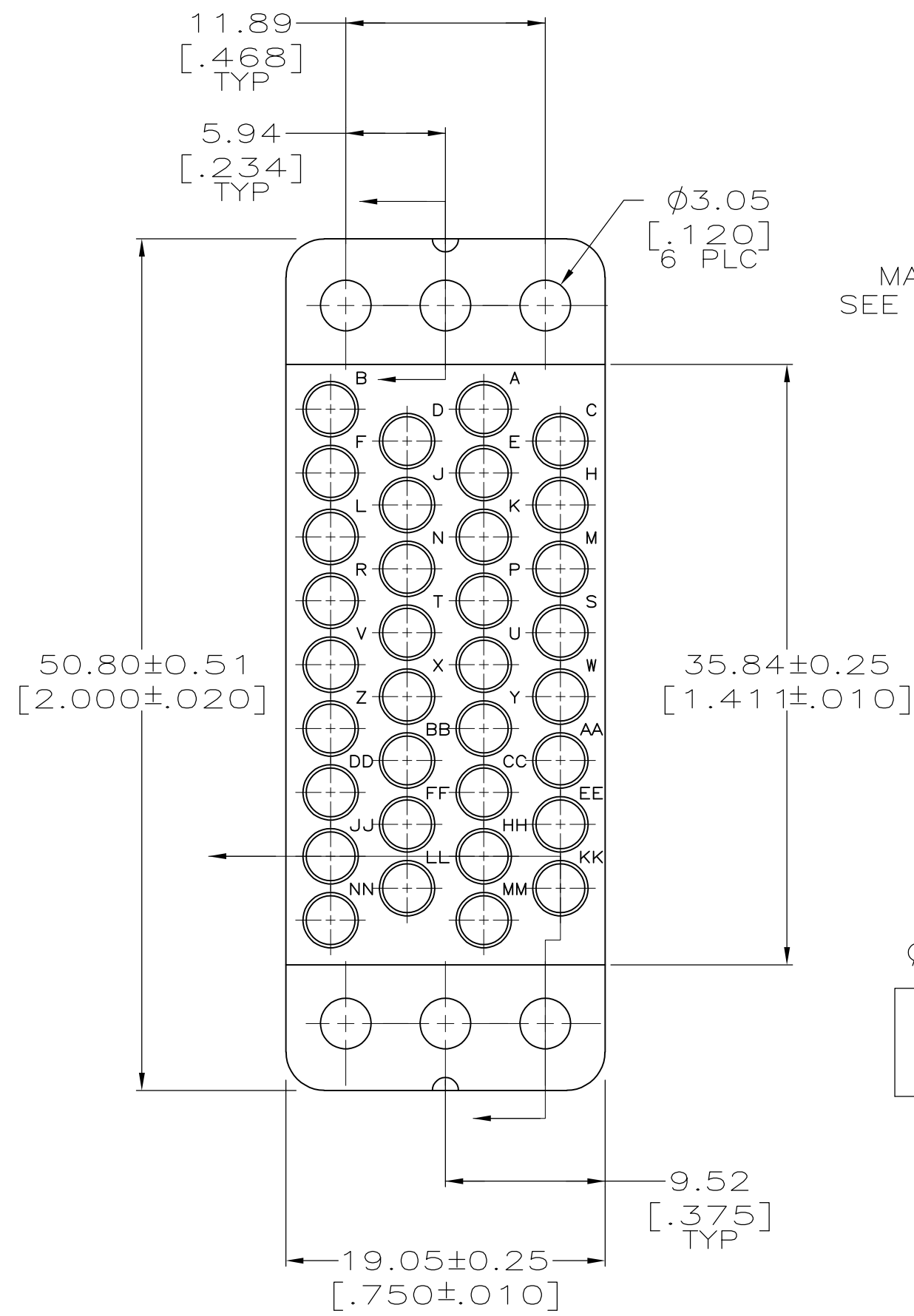


THIS DRAWING IS UNPUBLISHED. RELEASED FOR PUBLICATION
 © COPYRIGHT - By - ALL RIGHTS RESERVED.

LOC		DIST		REVISIONS			
P	LTR	DESCRIPTION	DATE	DWN	APVD		
AC2		REVISED PER ECO-11-004917	11MAR11	RK	HMR		



- ⚠ PHENOLIC PER MIL-M-14, TYPE CFG, BLACK.
- ⚠ DIALLYL PHTHALATE PER MIL-M-14, TYPE SDG-F, BLUE.
- ⚠ AMP PART NO THIS AREA. DATE CODE AT AMP'S OPTION.
- ⚠ MARK KS 21303, L10.
- 5. WHEN MATING WITH BLOCK 201357, ACCOMODATES TYPE II, TYPE III+ OR TYPE VI #16 PIN OR SOCKET CONTACTS.
- ⚠ OBSOLETE PARTS: OBSOLETE CIS STREAMLINING PER D.RENAUD/D.SINISI

SIZE	CAGE CODE	DRAWING NO	RESTRICTED TO
A2	00779	C=200838	-

THIS DRAWING IS A CONTROLLED DOCUMENT.

DIMENSIONS: mm [INCHES]	TOLERANCES UNLESS OTHERWISE SPECIFIED: 0 PLC ± - 1 PLC ± - 2 PLC ± 0.13 [.005] 3 PLC ± - 4 PLC ± - ANGLES ± 1°	FINISH -	WEIGHT -	SCALE 3:1	SHEET 1 of 1	REV AC2
----------------------------	--	-------------	-------------	--------------	-----------------	------------

TE Connectivity
 BLOCK, FEMALE, 34 PLACE
 MINIATURE RECTANGULAR,
 M SERIES

单击下面可查看定价，库存，交付和生命周期等信息

[>>TE Connectivity\(泰科\)](#)