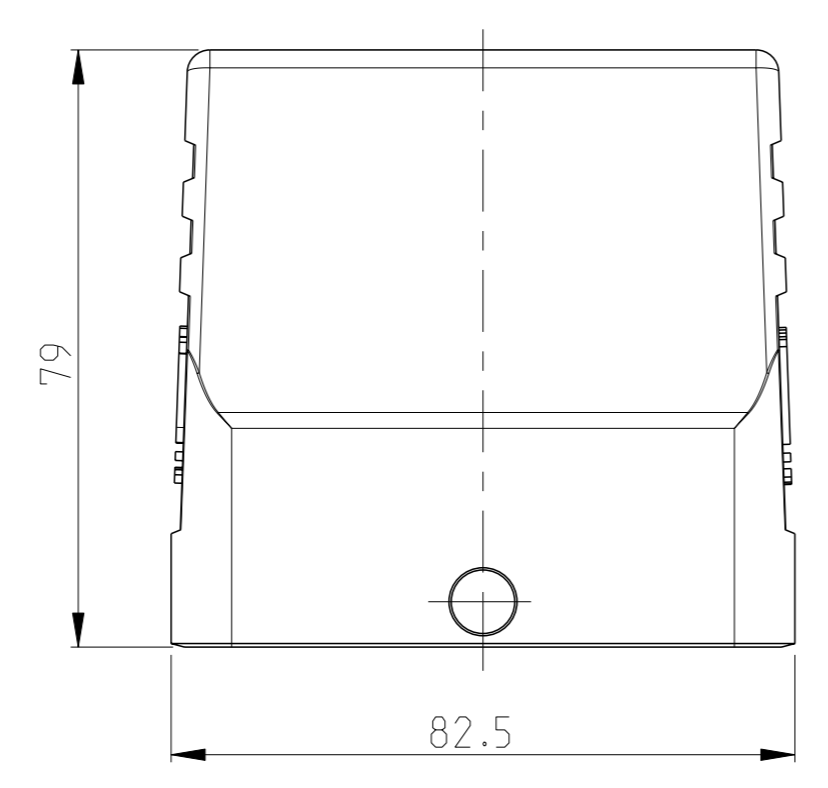
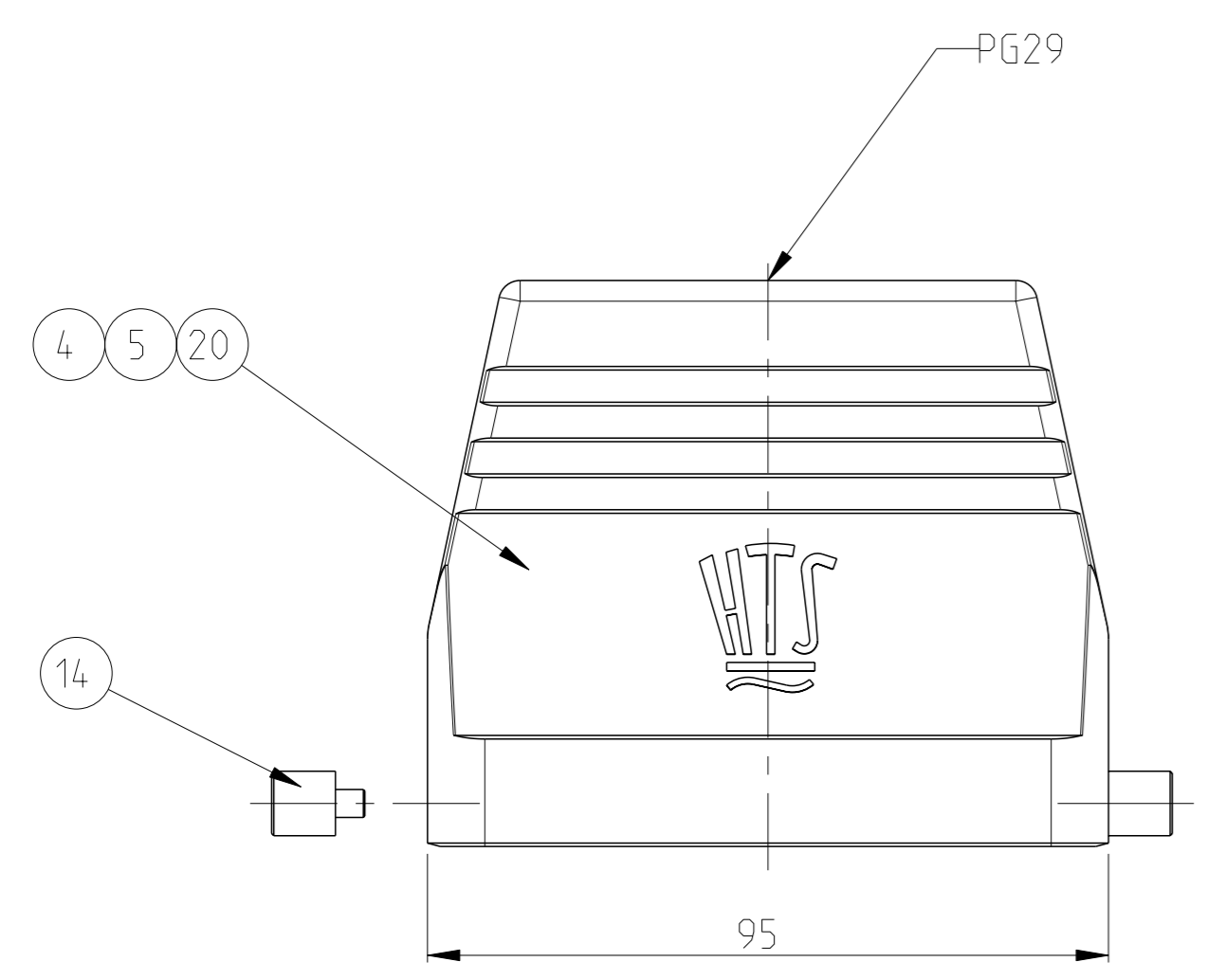
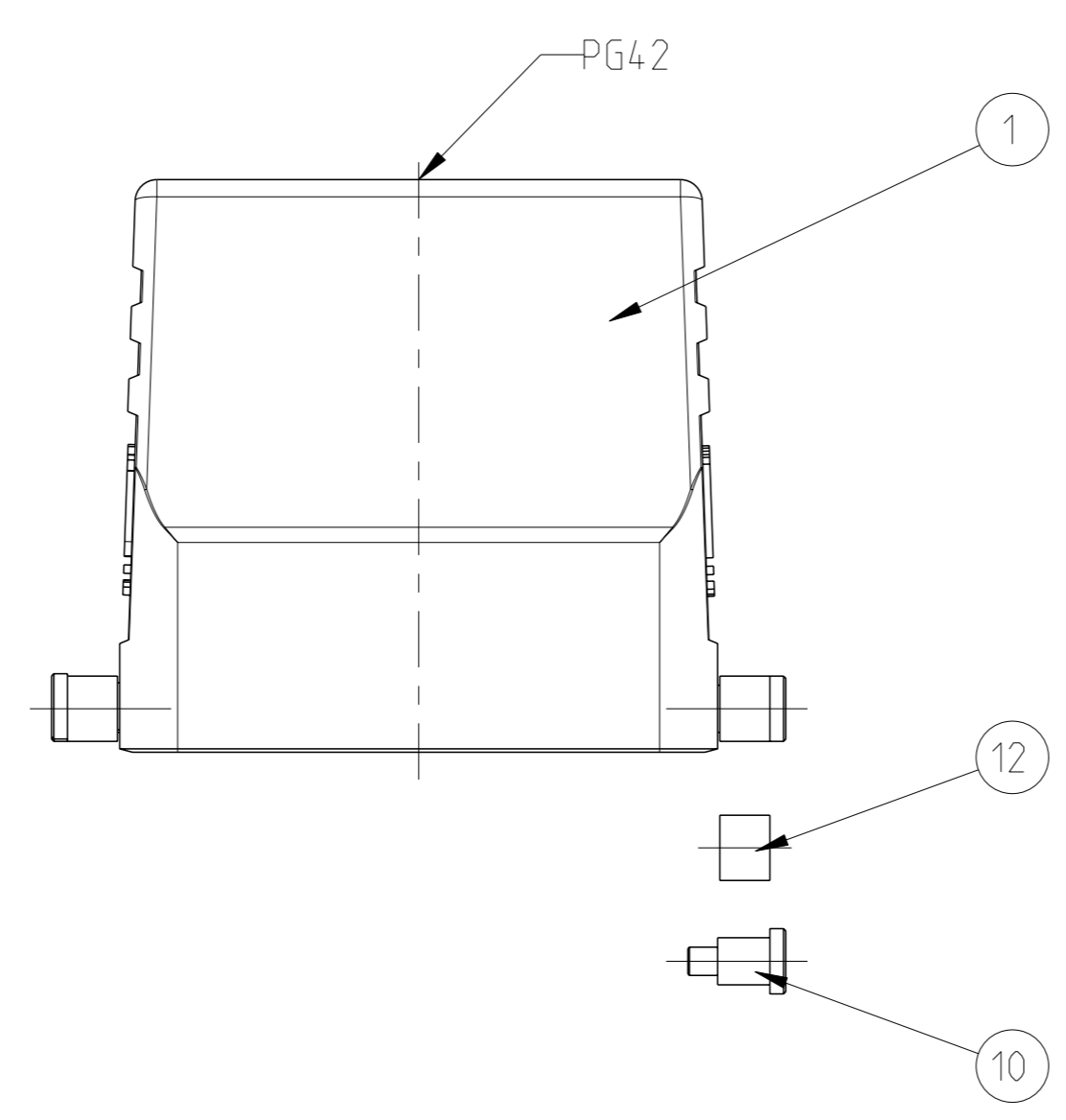
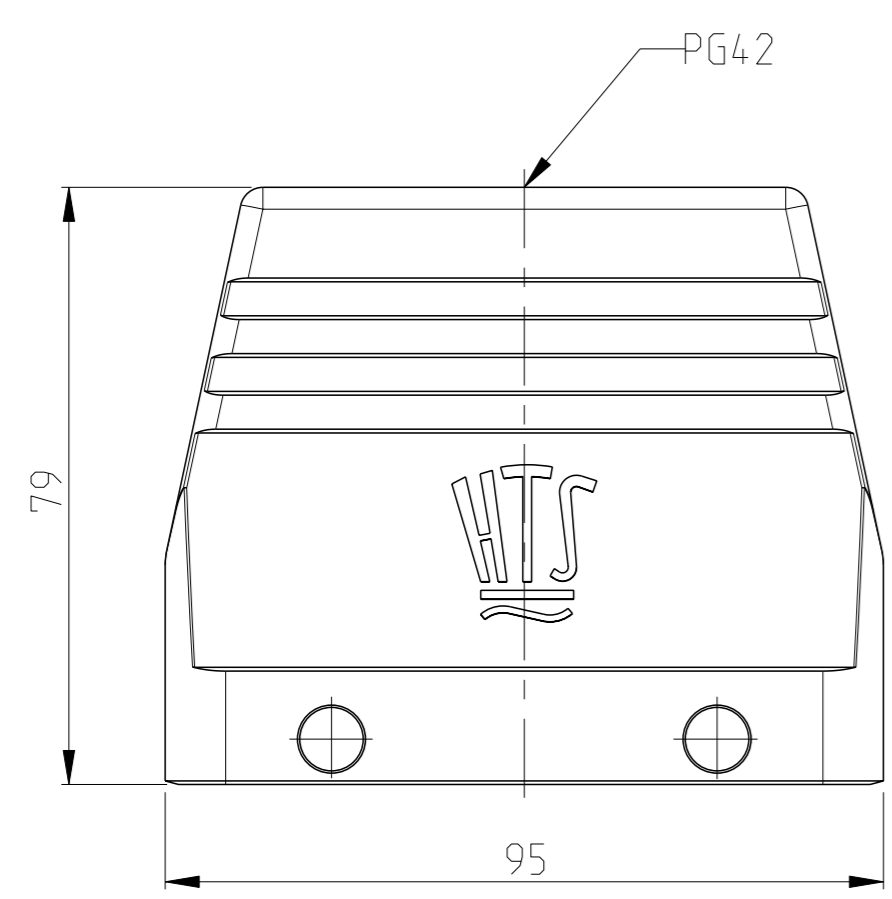
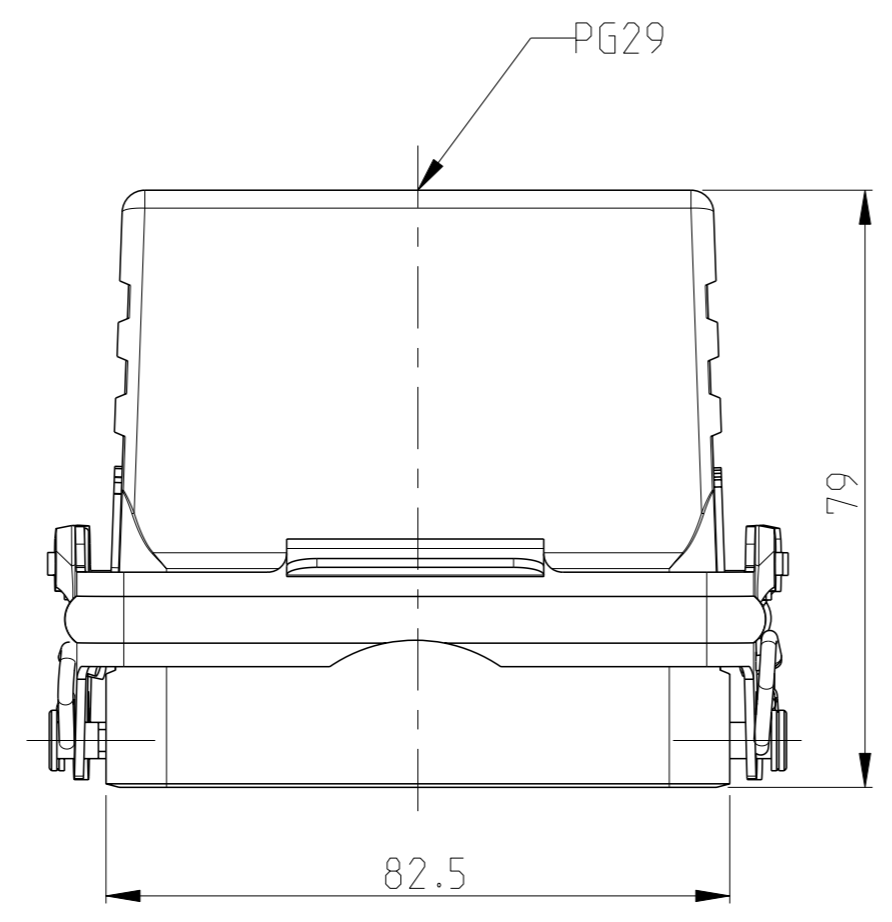
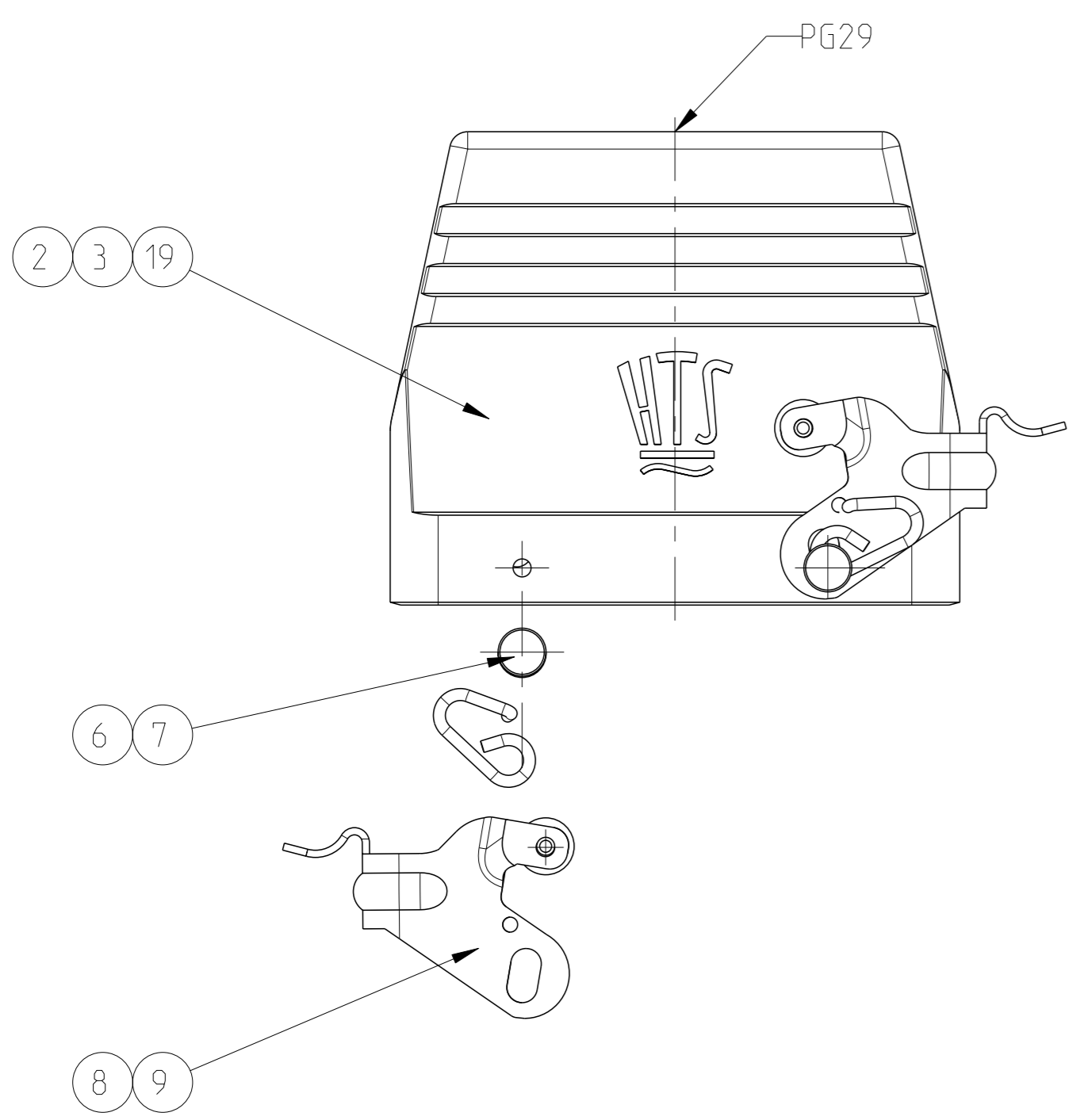


REVISIONS				
#	DATE	DESCRIPTION	DATE	OWN APVD
C2	24AUG10	ECR-10-007735	RK	SRE
C3	02MAR2016	ECR-16-002308	GM	JB
C4	18AUG2017	ECR-16-015318	GR	MKO
C5	11JAN2018	REVISED PER ECR-17-013084	SRG	MKO



- NOTES
- PART SHALL BE FREE AND CLEAN OF BURRS AND OTHER FOREIGN MATERIAL
 - PACKAGING: QUANTITY 3 PIECES
 - VARNISHING INSIDE HOUSING NOT REQUIRED

QTY	DESCRIPTION	MATERIAL	SURFACE	COLOR	ITEM	NOTES
1	HOOD	ALUMINIUM		GREY	20	
1	HOOD	ALUMINIUM		GREY	19	
2	CLIP SPRING RIGHT	STEEL	ZINC PLATED	BLUE	18	
2	CLIP SPRING RIGHT	STEEL	ZINC PLATED	BLUE	17	
2	CLIP SPRING LEFT	STAINLESS STEEL	BLANC		16	
2	CLIP SPRING LEFT	STEEL	ZINC PLATED	BLUE	15	
2	CLIP BOLT LB	STAINLESS STEEL	BLANC		14	
4	CLIP BOLT VS	STEEL	ZINC PLATED	BLUE	13	
2	SLIDE SPOOL	STAINLESS STEEL	BLANC		12	
2	CLIP BOLT	STAINLESS STEEL	BLANC		11	
2	CLIP BOLT	STAINLESS STEEL	BLANC		10	
2	LOCKING CLIP	STEEL	ZINC PLATED	BLUE	9	
2	LOCKING CLIP	STEEL	ZINC PLATED	BLUE	8	
2	CLIP POSITIONER				7	
2	CLIP POSITIONER				6	
1	HOOD	ALUMINIUM	ALUMINIUM OXID	BLACK	5	NEUTRAL
1	HOOD	ALUMINIUM		GREY	4	
1	HOOD	ALUMINIUM	ALUMINIUM OXID	BLACK	3	
1	HOOD	ALUMINIUM		GREY	2	NEUTRAL
1	HOOD	ALUMINIUM		GREY	1	
0-3	DESCRIPTION	MATERIAL	SURFACE	COLOR	ITEM	NOTES
0-2	HB-32.STO.1.42.G					
2-7	HB-32.STO-VS.1.29.G					
1-7	HB-K.32.STO-VS.1.29.G					
2-6	HB.32.STO.1.29.G					
1-6	HB-K.32.STO.1.29.G					
2-1	HB.32.STO.1.29.G					
1-1	HB-K.32.STO.1.29.G					
0-1	HB.32.STO-GR.1.29.G					
0-3	HB-K.32.STO-GR.1.29.G					
0-2	HB.32.ST					
2-7	HB.32.ST-GR					

单击下面可查看定价，库存，交付和生命周期等信息

[>>TE Connectivity\(泰科\)](#)