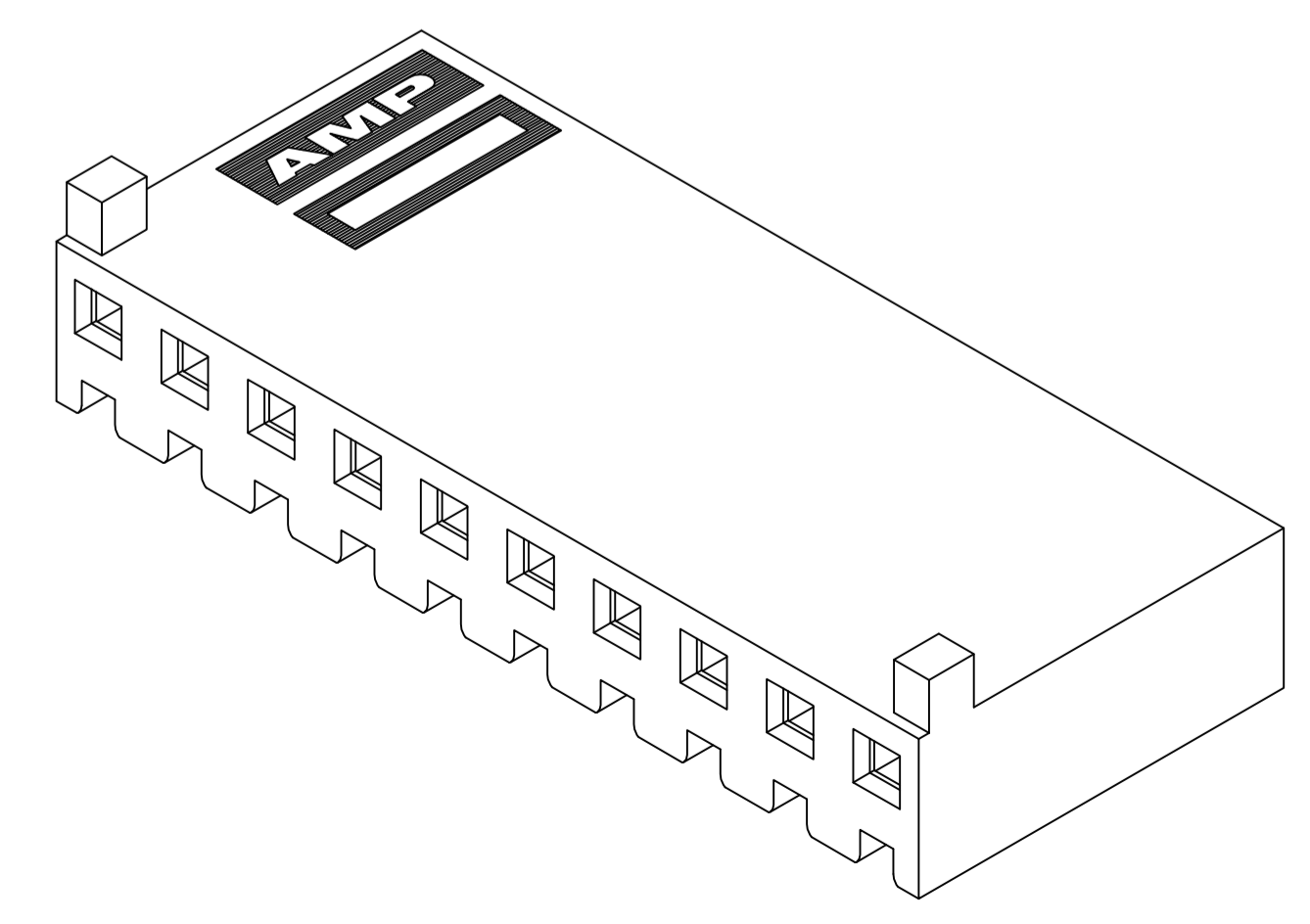
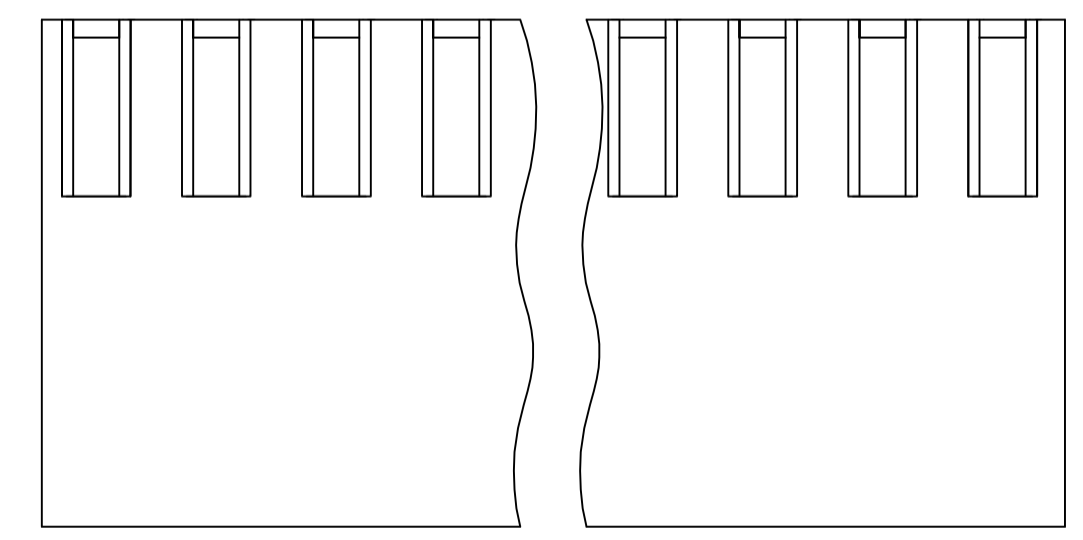
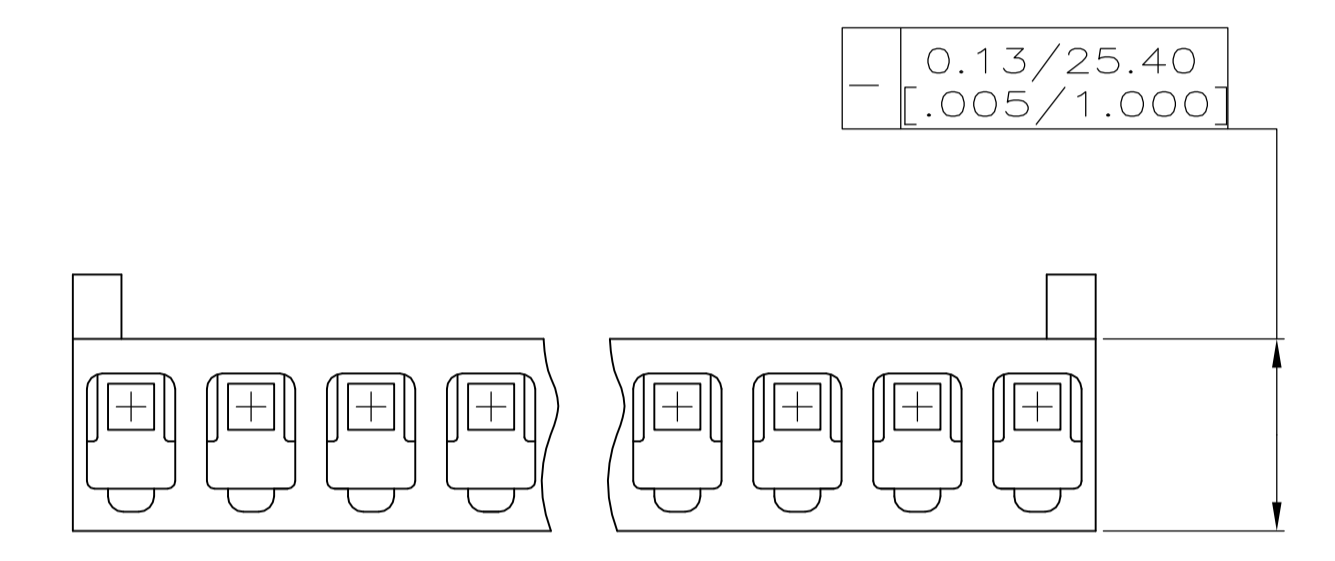
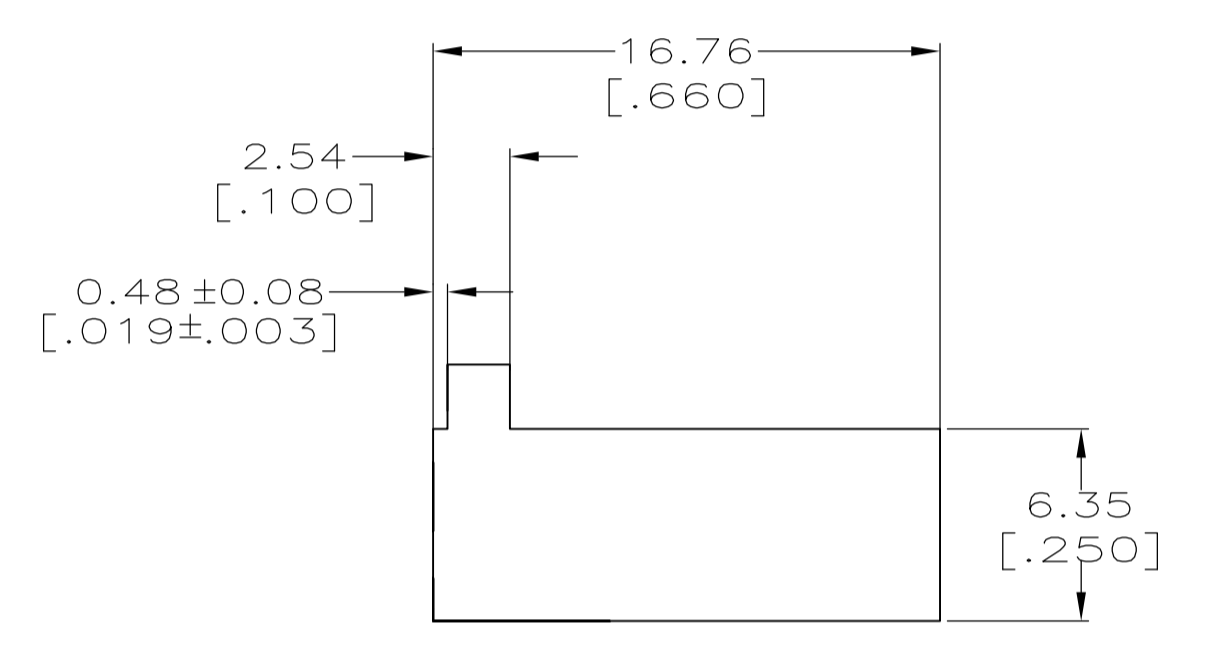
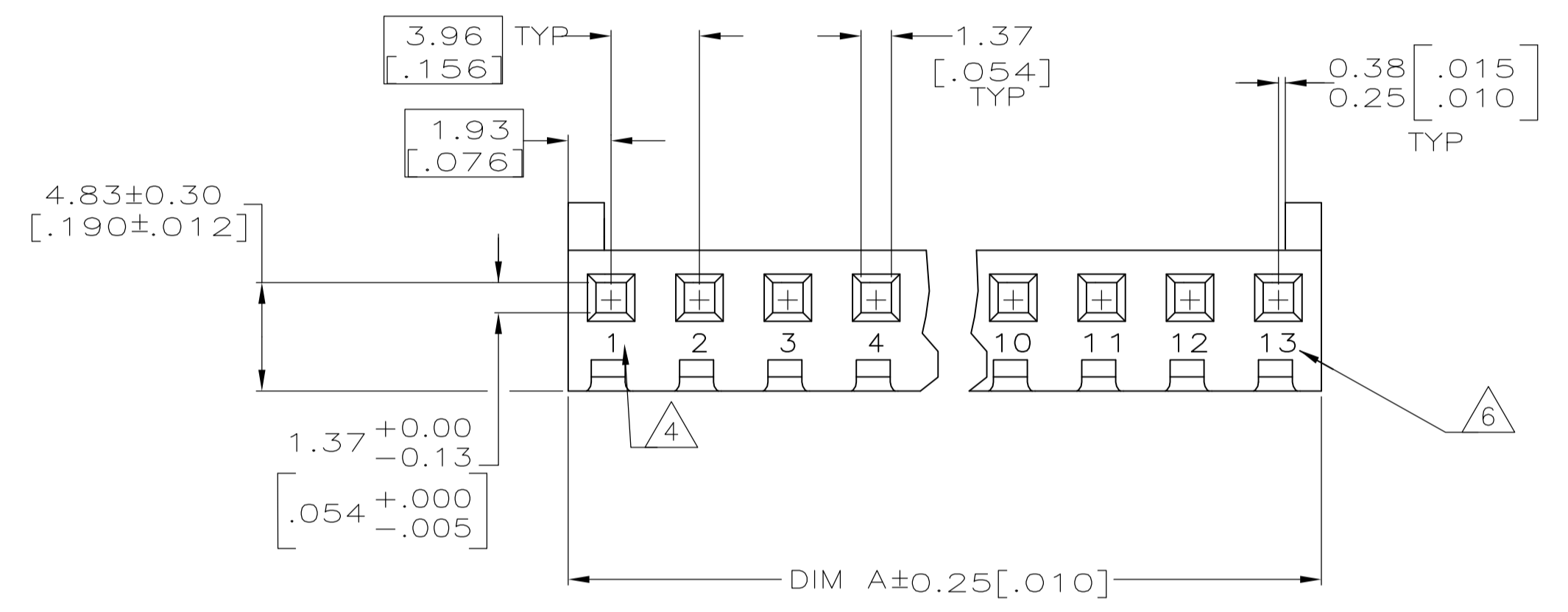
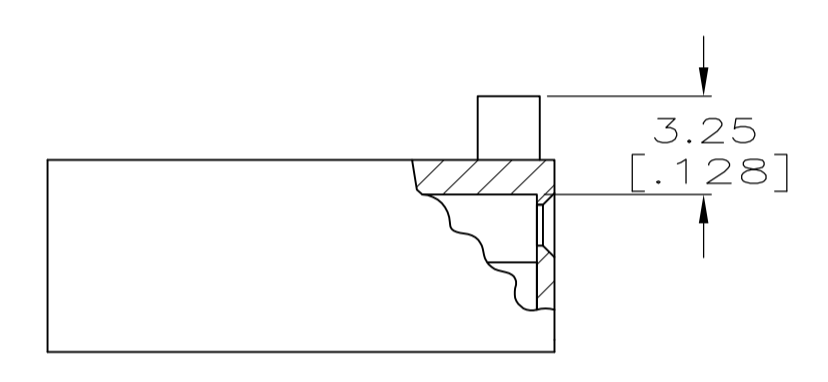
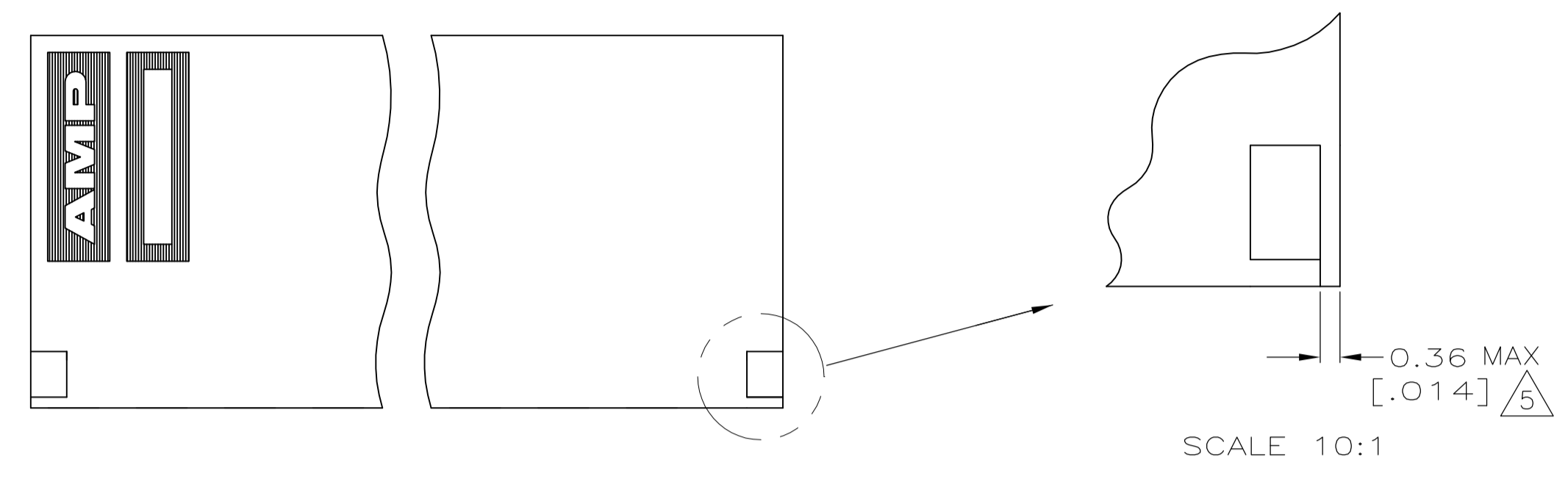


LOC		DIST		REVISIONS			
CM	54	REV	DATE	DESCRIPTION	DATE	BY	APPV
		D1		REVISED PER ECR-13-018918	04DEC13	JR	TM

- 1 UNIT ACCEPTS A 1.14[.045] SQUARE OR ROUND POST.
- 2 UNIT ACCEPTS STANDARD SL-156 CONTACTS.
- 3 UNIT ACCEPTS KEYING PLUG 640254-1 AND KEYING PIN 640255-1.
- 4 IDENTIFICATION NUMBER FOR ALL POSITIONS, OR FOR POSITION 1 ONLY, WILL BE LOCATED AS SHOWN.
- 5 OPTIONAL CONSTRUCTION, BOTH ENDS.
- 6 LAST CIRCUIT IDENTIFICATION IS OPTIONAL.
- 7 DIMENSIONS IN BRACKETS ARE IN INCHES.

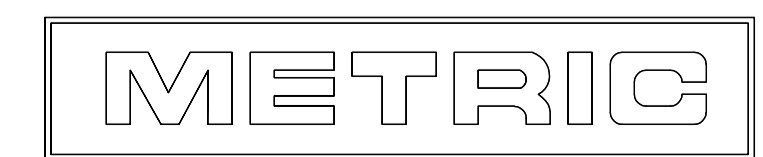


3-DIMENSIONAL MODEL NTS

1-770996-3 SHOWN

DIM A	NO OF POSN	PART NUMBER
59.44[2.340]	15	1-770996-5
51.49[2.027]	13	1-770996-3
47.52[1.871]	12	1-770996-2
31.62[1.245]	8	770996-8
19.74[0.777]	5	770996-5

THIS DRAWING IS A CONTROLLED DOCUMENT.		DIN K SALMON 7-30-92		TE Connectivity	
DIMENSIONS: mm [INCHES]		CHK R SWING 7-30-92		NAME	
TOLERANCES UNLESS OTHERWISE SPECIFIED:		APPV F BEILES 8-3-92		HOUSING WITHOUT LOCKING RAMP AND WITH POLARIZING TABS, SL-156	
0 PLC ± -	1 PLC ± -	PRODUCT SPEC		SIZE CAGE CODE DRAWING NO	
2 PLC ± -	3 PLC ± 0.13 [.005]	APPLICATION SPEC		RESTRICTED TO	
4 PLC ± -	ANGLES ± -	WEIGHT		A1 00779C=770996	
MATERIAL NYLON,UL 94V-0 NATURAL	FINISH -	CUSTOMER DRAWING		SCALE 4:1 SHEET 1 OF 1 REV D1	



单击下面可查看定价，库存，交付和生命周期等信息

[>>TE Connectivity\(泰科\)](#)