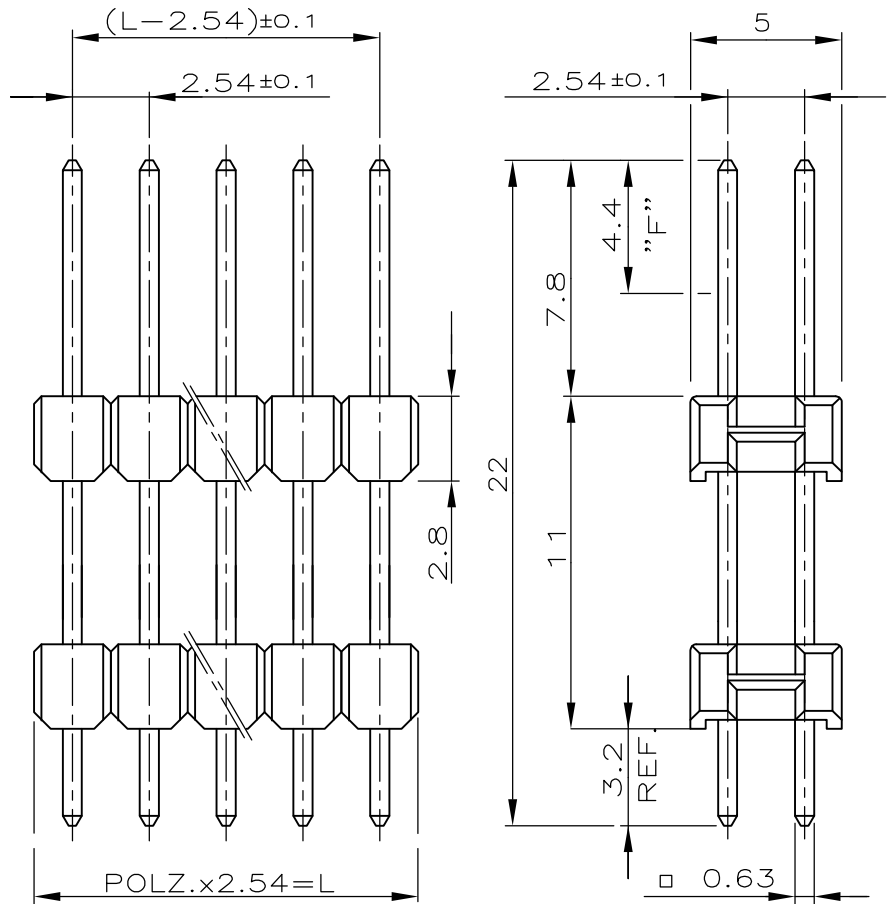


LOC	DIST	REVISIONS					
—	—	P	LTR	DESCRIPTION	DATE	DWN	APVD
		E		CONTACT PIN MATERIAL & PLATING CHANGE	27JUN2014	PS	JK

POLZ. PRO REIHE	L±0.4	BESTELL-NR.	
—	—	—	—
2	5.08	—	2/3
3	7.62	—	3/3
4	10.16	—	4/2
5	12.70	—	5/2
6	15.24	—	6/2
7	17.78	829 315	7/2
8	20.32	—	—8
9	22.86	—	9/2
10	25.40	1-	-0
11	27.94	1-	-1
12	30.48	-1	2/2
13	33.02	1-	-3
14	35.56	-1	4/2
15	38.10	-1	5/2
16	40.64	-1	6/3
17	43.18	1-	-7
18	45.72	-1	8/2
19	48.26	-1	9/2
20	50.80	2-	-0
21	53.34	-2	1/2
22	55.88	-2	2/2
23	58.42	-2	3/2
24	60.96	-2	4/2
25	63.50	-2	5/2
26	66.04	-2	6/2
27	68.58	-2	7/2
28	71.12	-2	8/2
29	73.66	-2	9/2
30	76.20	-3	0/2
31	78.74	-3	1/2
32	81.28	-3	2/2
33	83.82	3-	-3
34	86.36	-3	4/2
35	88.90	-3	5/2
36	91.44	-3	6/2
37	93.98	-3	7/2
38	96.52	-3	8/2
39	99.06	-3	9/2
40	101.60	-4	0/2
41	104.14	-4	1/2
42	106.68	-4	2/2
43	109.22	-4	3/2
44	111.76	-4	4/2
45	114.30	-4	5/2
46	116.84	-4	6/2
47	119.38	-4	7/2
48	121.92	-4	8/2
49	124.46	-4	-9
50	127.00	-5	829 315 0/3



- 1 MATING SIDE: MIN $0.7\mu\text{m}$ PdNi+ MIN $0.1\mu\text{m}$ GOLD FLASH IN ZONE "F" OVER $1.27\mu\text{m}$ NICKEL
SOLDER SIDE: 3.0 TO $5.0\mu\text{m}$ TIN OVER $1.27\mu\text{m}$ NICKEL.
- 2 OBSOLETE PARTS: OBSOLETE CIS STREAMLINING PER D.RENAUD/D.SINISI
- 3 OBSOLETE

KONTAKTSTIFT	CuZn	1
STIFTGEHÄUSE	PBT	GRÜN
BENENNUNG	WERKSTOFF	OBERFLÄCHE FARBE

RELEASED FOR PUBLICATION

ALL RIGHTS RESERVED.

THIS DRAWING IS UNPUBLISHED.

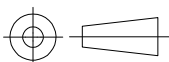
By -
COPYRIGHT -

DIMENSIONS:

mm

TOLERANCES UNLESS OTHERWISE SPECIFIED:

0 PLC	±0.2 mm
1 PLC	± -
2 PLC	± -
3 PLC	± -
4 PLC	± -
ANGLES	± -



DWN	A.HO	28.09.88	MATERIAL	-	FINISH	-
CHK	M.Schaarschmidt	-	TE Connectivity			
APVD	-	-				
PRODUCT SPEC	108-18012		NAME	SPEZ. AMPMODU II STIFTLISTE ZWEIREIHIG		
APPLICATION SPEC	-		SIZE	CAGE CODE	DRAWING NO	RESTRICTED TO
WEIGHT	-		A4	00779	C-829315	-
CUSTOMER DRAWING				SCALE	4:1	SHEET 1 OF 1
						REV E

单击下面可查看定价，库存，交付和生命周期等信息

[>>TE Connectivity\(泰科\)](#)