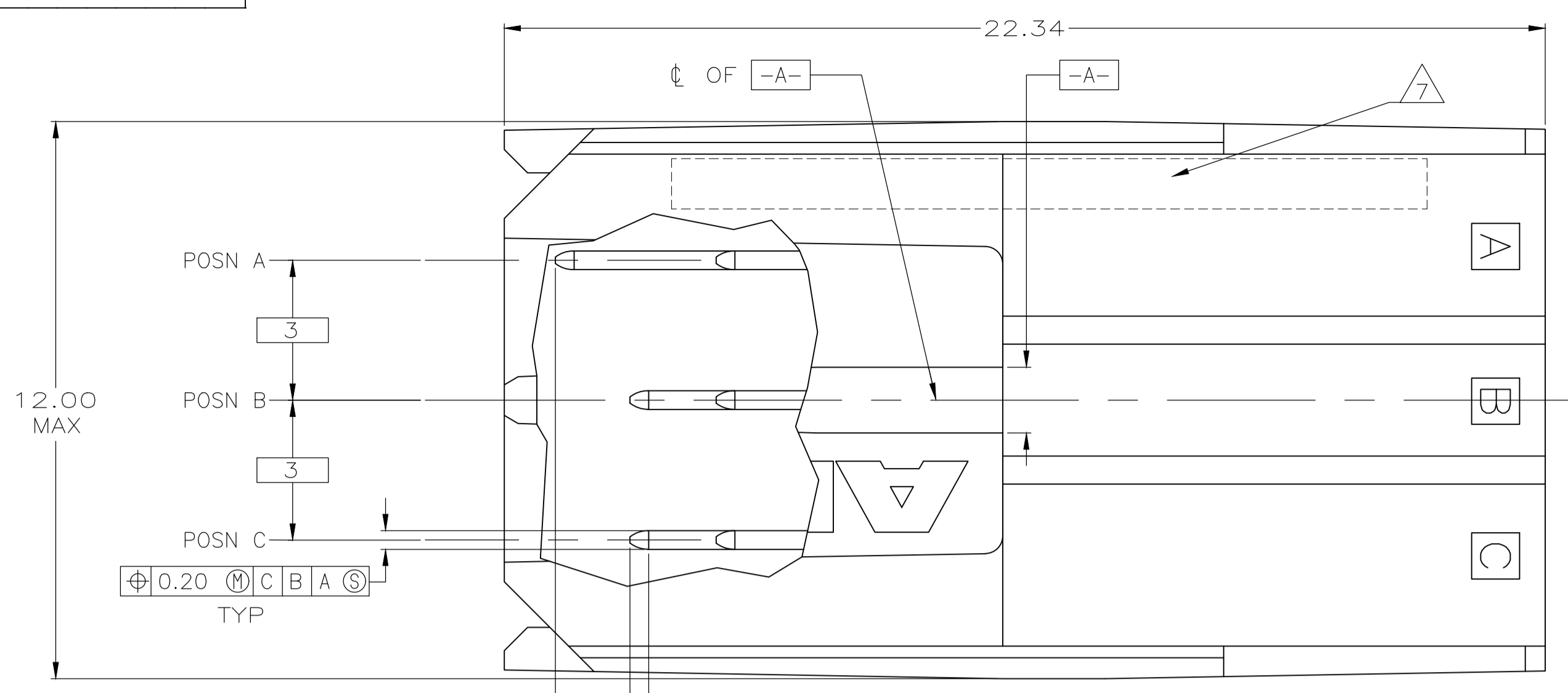
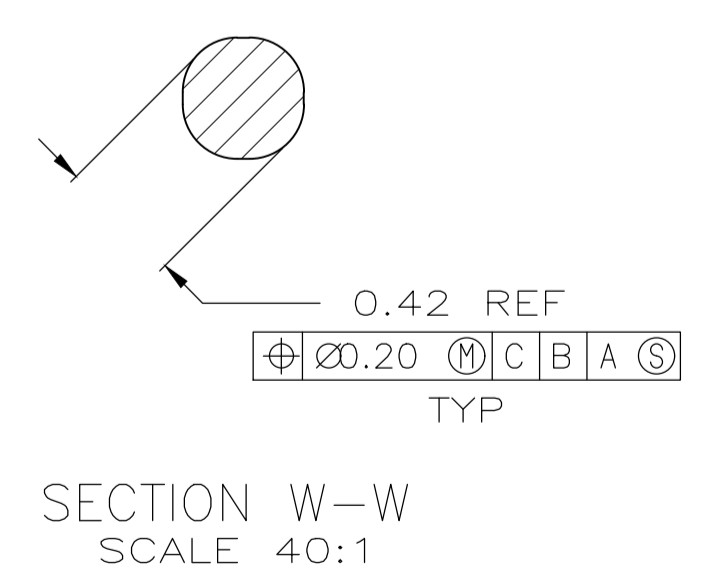
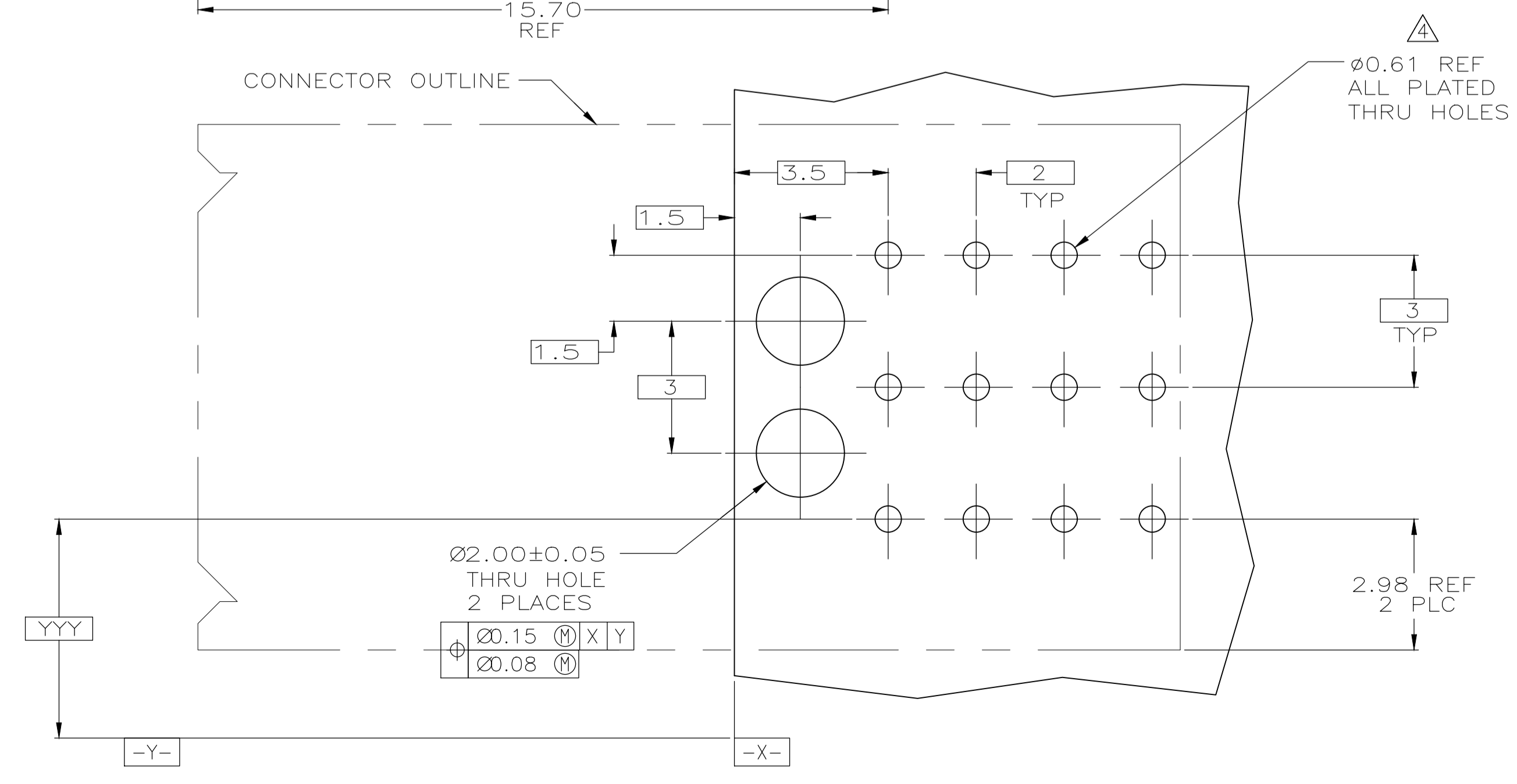
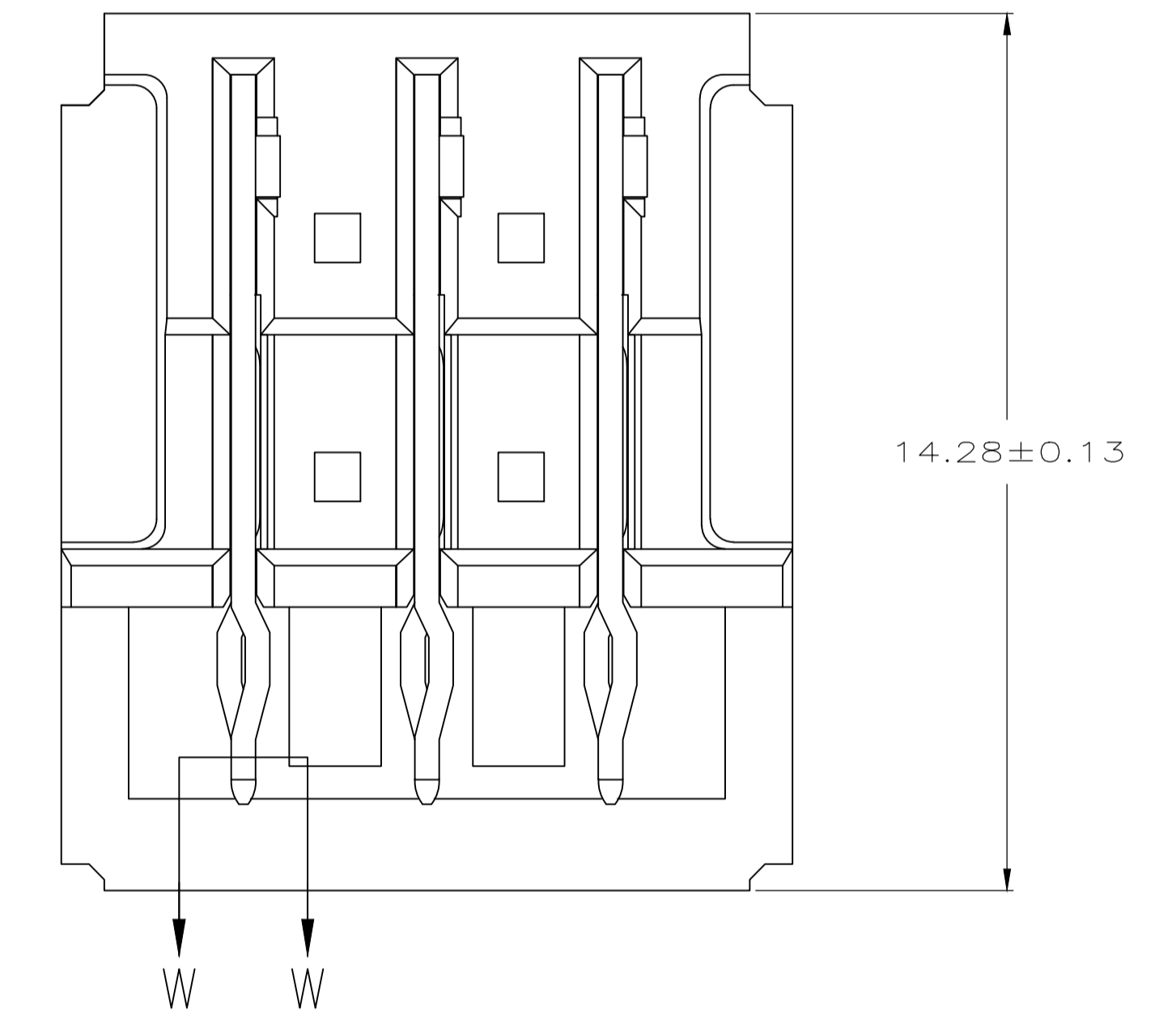
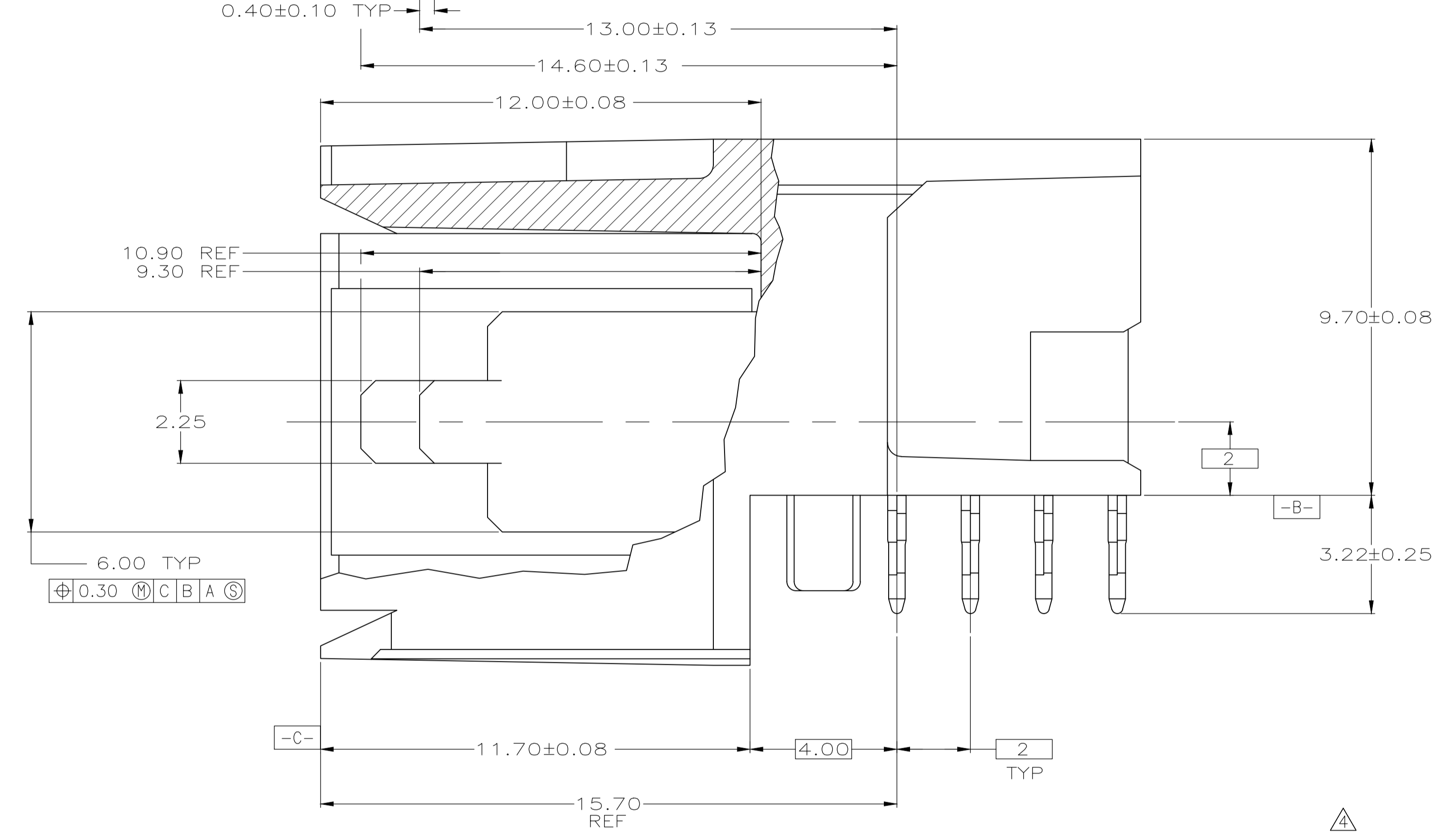
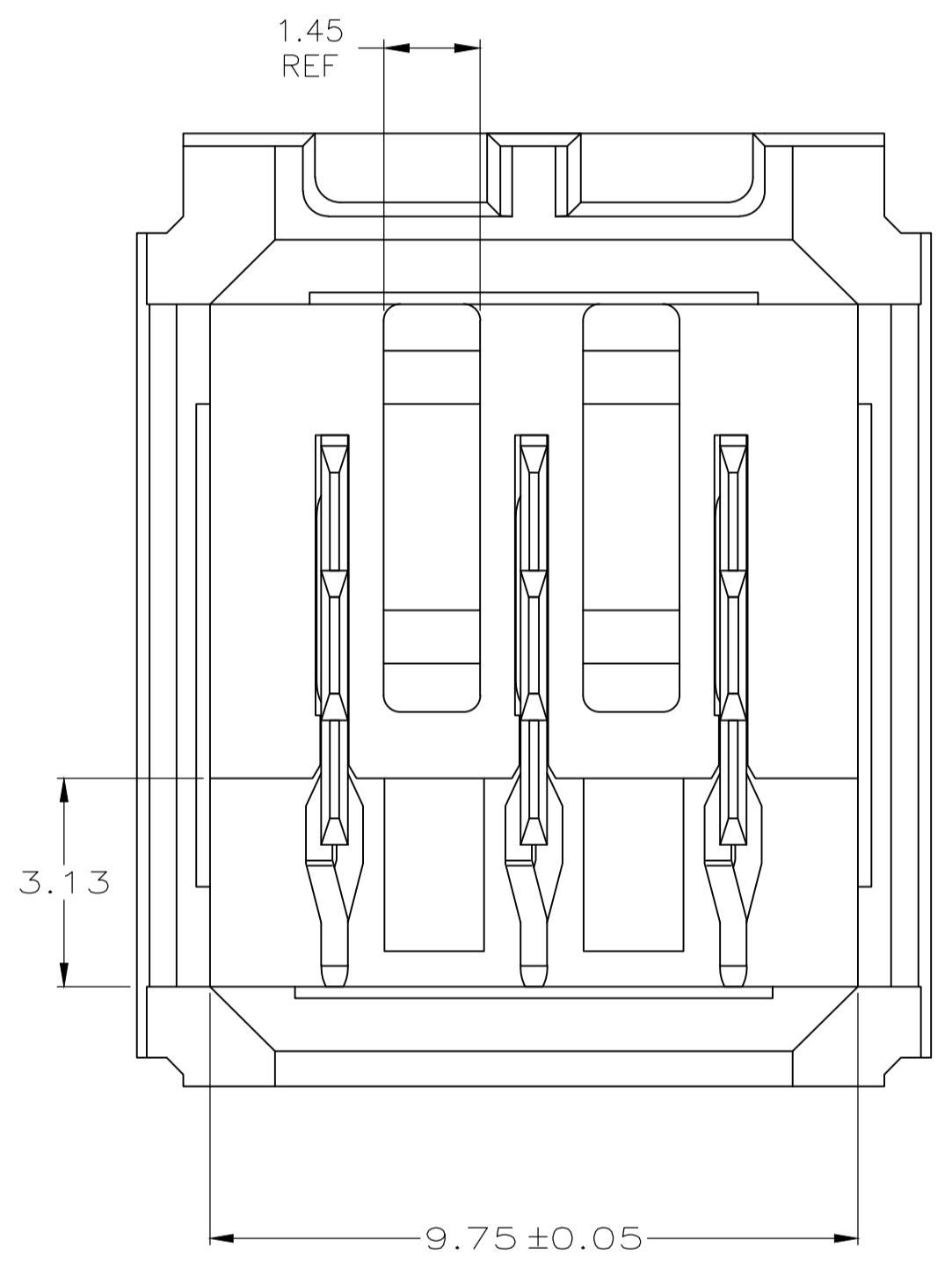


LOC		DIST		REVISIONS			
AD	00	REV	PER	DESCRIPTION	DATE	DMN	APVD
C3	REV PER ECO-20-004668				27MAY2020	ML	SZ



- 1 MATERIAL: HOUSING: POLYESTER. COLOR: GRAY. UL 94V-O. CONTACT: PHOSPHOR BRONZE.
- 2 FINISH: IN ACCORDANCE WITH PRODUCT SPECIFICATION 108-1651, GOLD PLATING OR EQUIVALENT PLATING ON PRODUCT CONTACT MATING AREA, AND MATTE TIN PLATING ON COMPLIANT PIN AREA, ALL OVER MATTE NICKEL UNDERPLATED. DETAIL PLEASE REFER TO PRODUCT SPECIFICATION 108-1651.
- 3 FINISH: CONTACT LUBRICATION WITH BELLCORE APPROVED LUBRICANT. TECHNICAL REFERENCE: TR-NWT-001217 ISSUE 1, SEPT 1992.
- 4 REFERENCE APPLICATION SPEC 114-1103 FOR RECOMMENDED PLATED THRU HOLE DIAMETER AND PLATING THICKNESS.
- 5 CURRENT RATING 10A/CONTACT FOR PHOS BRONZE CONTACT AND 16A/CONTACT FOR HIGH CURRENT COPPER ALLOY CONTACT PER PRODUCT SPEC 108-1651.
- 6 MATERIAL: HOUSING: POLYESTER, COLOR: GRAY, UL94V-0 CONTACT: HIGH CONDUCTIVITY COPPER ALLOY.
- 7 TE PART NUMBER AND DATE CODE, IN THE REFERENCE PRINTING AREA



SECTION W-W
SCALE 40:1

DESCRIPTION	REMARKS	PART NUMBER
UPM HC 3P CONN	2 3 6	5-5223968-1
UPM STD 3P CONN	1 2 3	5223968-1

THIS DRAWING IS A CONTROLLED DOCUMENT.	DIN 130EC04	130EC04	130EC04	130EC04
DIMENSIONS: mm	TOLERANCES UNLESS OTHERWISE SPECIFIED:	NAME	TE Connectivity	RESTRICTED TO
0 PLC ± -	1 PLC ± -	R. PATTERSON	ASSEMBLY, RIGHT ANGLE HEADER, W/ RETENTION PEGS, UNIVERSAL POWER MODULE	
2 PLC ± ± 0.13	3 PLC ± ± 0.13	R. PATTERSON	108-1651	
4 PLC ± ± -	ANGLES ± ± -	PRODUCT SPEC	114-1103	
MATERIAL	FINISH	SIZE	CAGE CODE	DRAWING NO
1	2 3	A1	00779	5223968
CUSTOMER DRAWING		SCALE	10:1	SHEET 1 of 1
		REV	C3	

单击下面可查看定价，库存，交付和生命周期等信息

[>>TE Connectivity\(泰科\)](#)