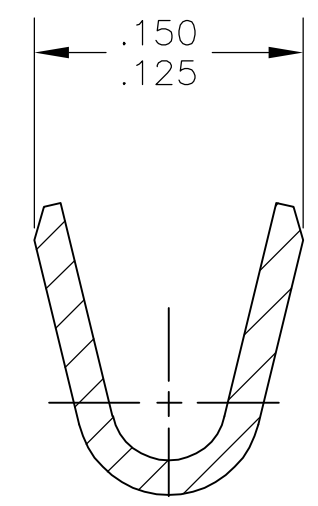
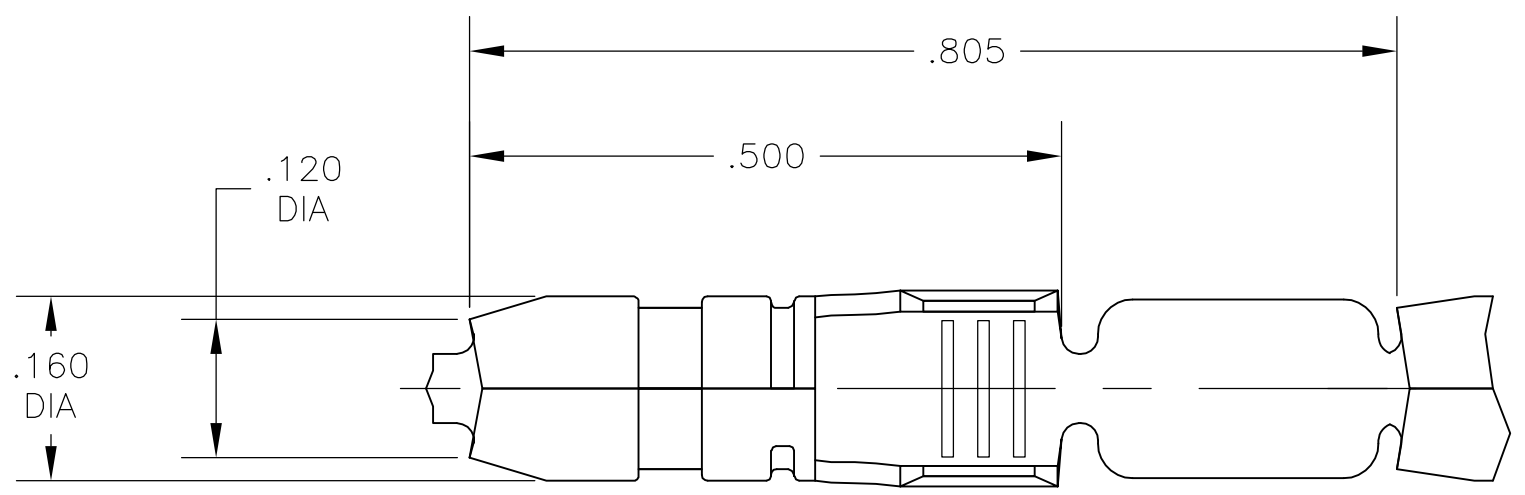


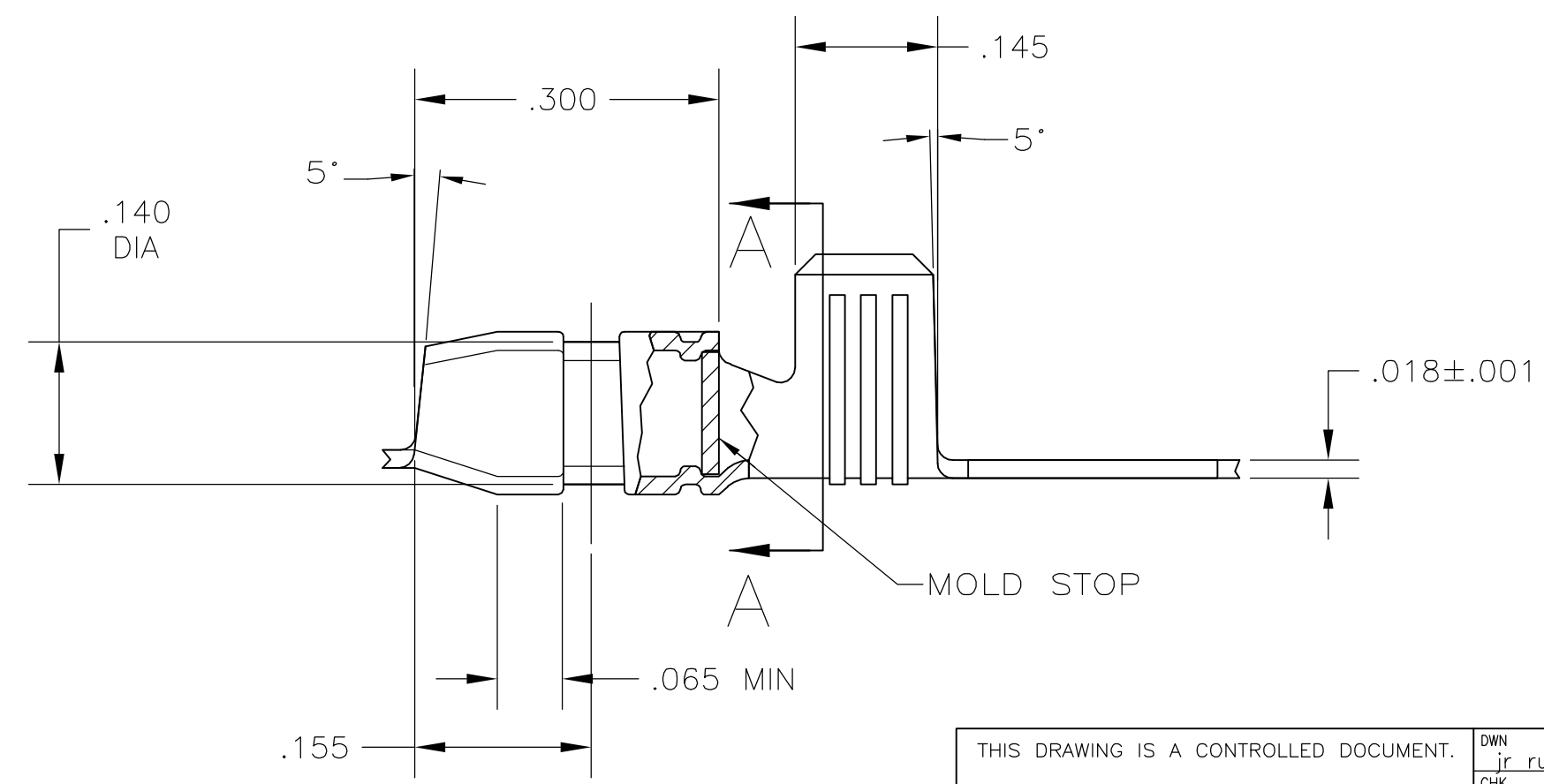
THIS DRAWING IS UNPUBLISHED. RELEASED FOR PUBLICATION
 © COPYRIGHT BY TYCO ELECTRONICS CORPORATION. ALL RIGHTS RESERVED.

LOC	DIST	REVISIONS			
P	LTR	DESCRIPTION	DATE	DWN	APVD
AF	50	C	REVISED PER 0G3A-0709-04	29SEP04	MF DD

- 1 CONTINUOUS STRIP ON REEL.
- 2 WIRE SIZE #18-#14 AWG



SECTION A-A
SCALE 10:1



1742083-1
PART NO.

THIS DRAWING IS A CONTROLLED DOCUMENT.		DWN jr_ruth	12MAR04	Tyco Electronics Corporation Harrisburg, Pa 17105-3608	
DIMENSIONS: INCHES		CHK D DECKER	12MAR04		
TOLERANCES UNLESS OTHERWISE SPECIFIED:		APVD D DECKER	12MAR04	NAME SHUR PLUG, .156 DIA	
0 PLC ± - 1 PLC ± - 2 PLC ± .010 3 PLC ± - 4 PLC ± - ANGLES ± -		PRODUCT SPEC		RESTRICTED TO	
MATERIAL 081 BRASS		FINISH .000130 MIN TIN		SIZE A3	CAGE CODE 00779
CUSTOMER DRAWING				DRAWING NO C-1742083	RESTRICTED TO -
SCALE 6:1			SHEET 1 OF 1		REV C

单击下面可查看定价，库存，交付和生命周期等信息

[>>TE Connectivity\(泰科\)](#)