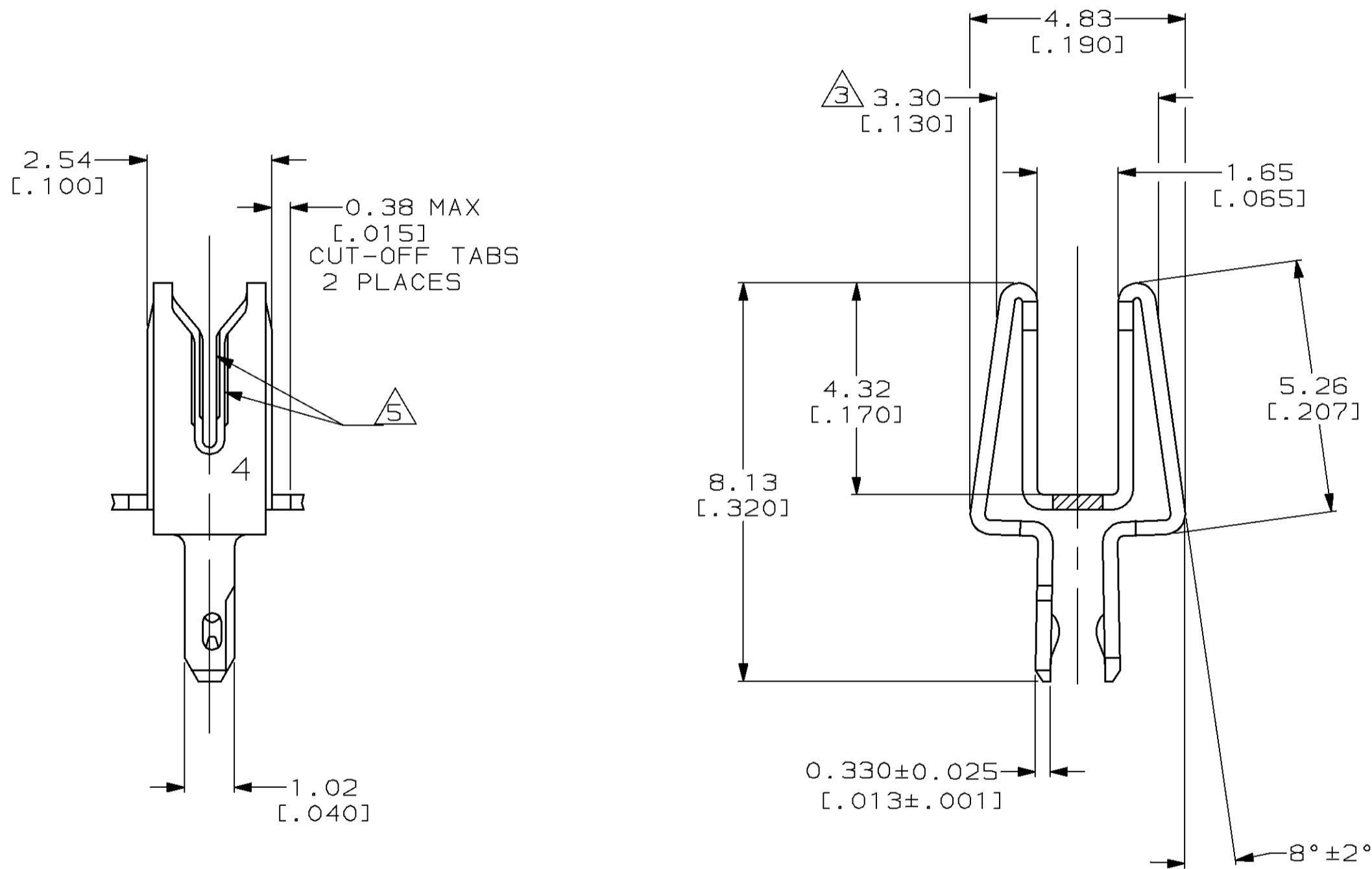


Loc		DIST		REVISIONS			
ZONE	LTR	DESCRIPTION	DATE	APPD			
AF	50			L	REV PER 061A-0418-98	11/25/98	JR/DD



- 1 WIRE TYPES NOT DESCRIBED SHALL BE SUBMITTED TO AMP ENGINEERING FOR WIRE-TO-TERMINAL APPLICATION APPROVAL
- 2 APPLICATION OF TERMINAL INTO P.C.BOARD AND WIRE INSERTION INTO TERMINAL SHALL BE IN ACCORDANCE WITH AMP SPEC.114-2051
- 3 MAXIMUM WIDTH AFTER INSERTION IN P.C. BOARD
- 4 CONTINUOUS STRIP ON REELS WITH TERMINALS LOCATED ON 3.18±0.076 [.125±.003] CENTERS
- 5 SLOT ACCEPTS 0.20mm² [#24] AWG 7 STRANDED (TIN PLATED) COPPER WIRE, 0.50-0.40mm [#24-#26] AWG SOLID COPPER WIRE, 0.40mm [#26] AWG FUSED COPPER WIRE.
- 6 0.00381 [.000150] MIN TIN PER MIL-T-10727 OVER 0.00254 [.000100] MIN COPPER UNDERPLATE PER MIL-T-14550.
OR
0.00381 [.000150] MIN TIN PER MIL-T-10727 OVER 0.00127 [.000050] MIN NICKEL UNDERPLATE PER QQ-N-290.

1.52 [.060] MAX	63007-1
INSULATION DIA. (PVC)	PART NO

DO NOT SCALE PRINT. UNLESS SPECIFIED DIMENSIONS IN mm [INCHES] TOLERANCES ON : 2 PLC DEC ± 0.25 [.010] 3 PLC DEC ± - ANGLES ± 1°	DR 13/SEPT/95 R.GRZYBOWSKI	AMP Incorporated Harrisburg, PA 17105-3608		
	CHK 13/SEPT/95 M.S.FEHER			NAME
MATERIAL H04 BRASS	APPD 13/SEPT/95 G.PORTA	TERMINAL, QUADRA-MATE 100 SERIES		
FINISH	APPD 13/SEPT/95 T.L.SHUTTER			
THIS DRAWING IS A CONTROLLED DOCUMENT FOR AMP INCORPORATED. IT IS SUBJECT TO CHANGE AND THE CONTROLLING ENGINEERING ORGANIZATION SHOULD BE CONTACTED FOR THE LATEST REVISION.	PRODUCT SPEC 108-2032	SIZE C	CAGE CODE 00779	DRAWING NO G=63007
	APPLICATION SPEC 2	SCALE 10:1	SHEET 1 OF 1	
WEIGHT -		CUSTOMER DRAWING		

单击下面可查看定价，库存，交付和生命周期等信息

[>>TE Connectivity\(泰科\)](#)