

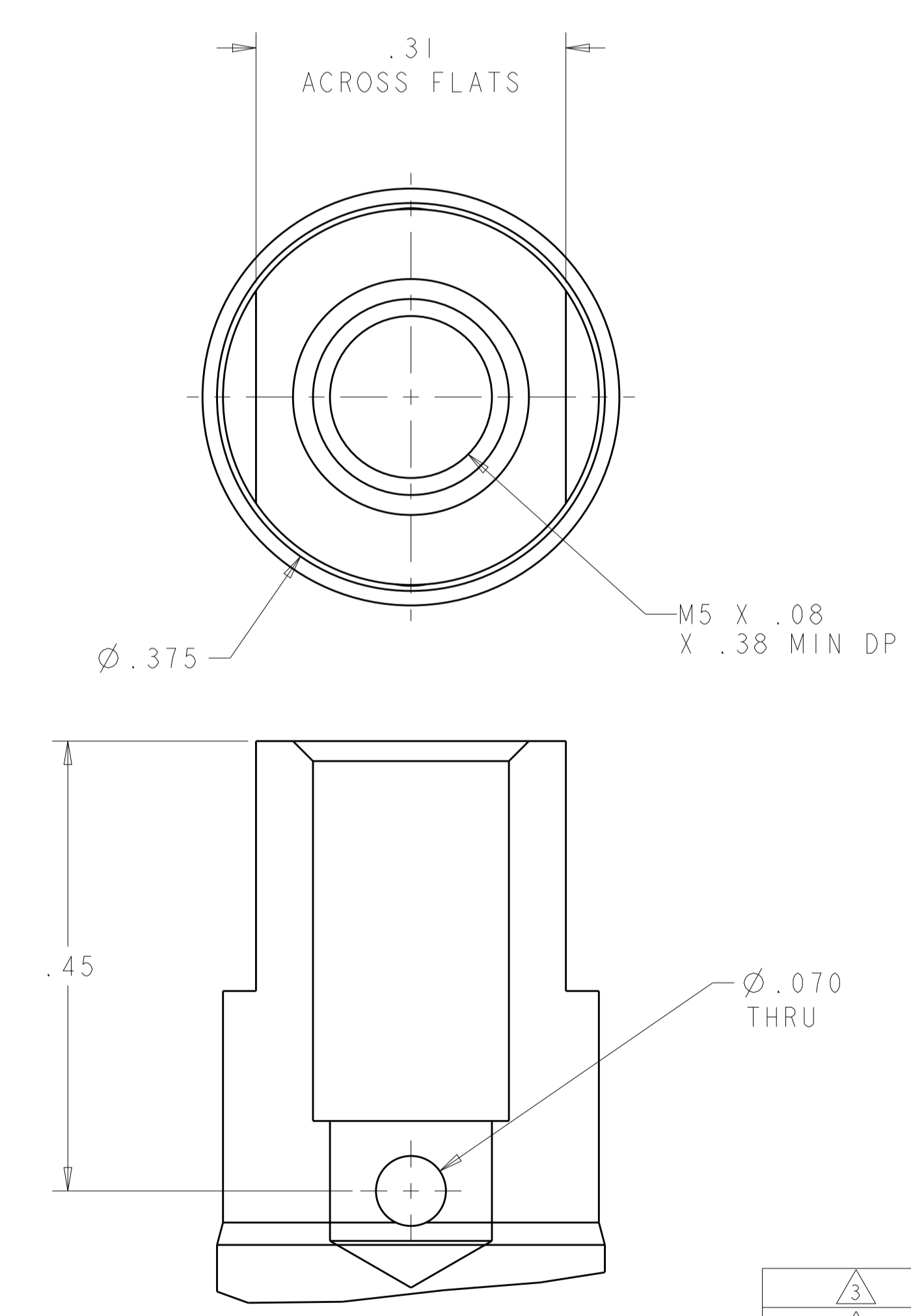
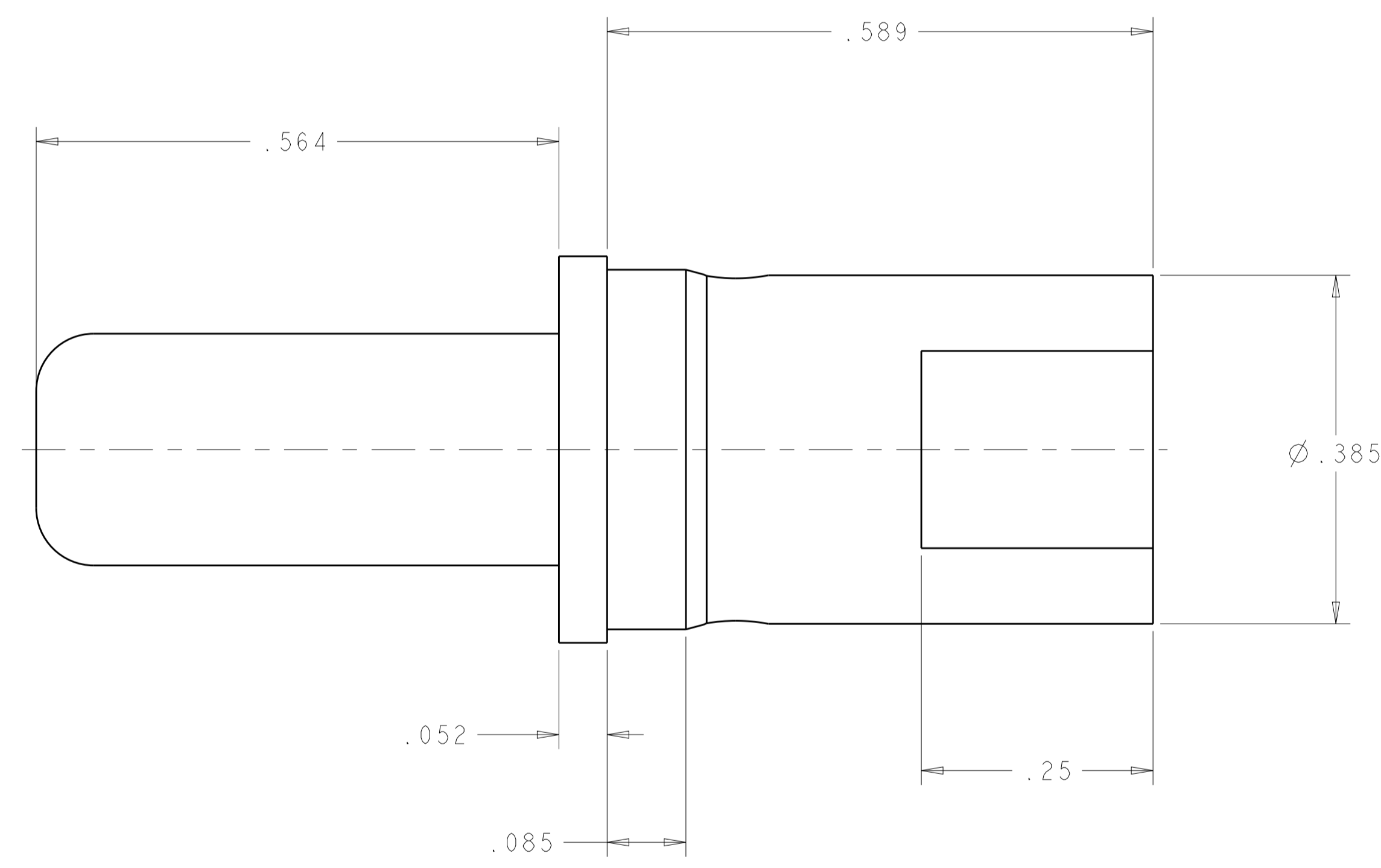
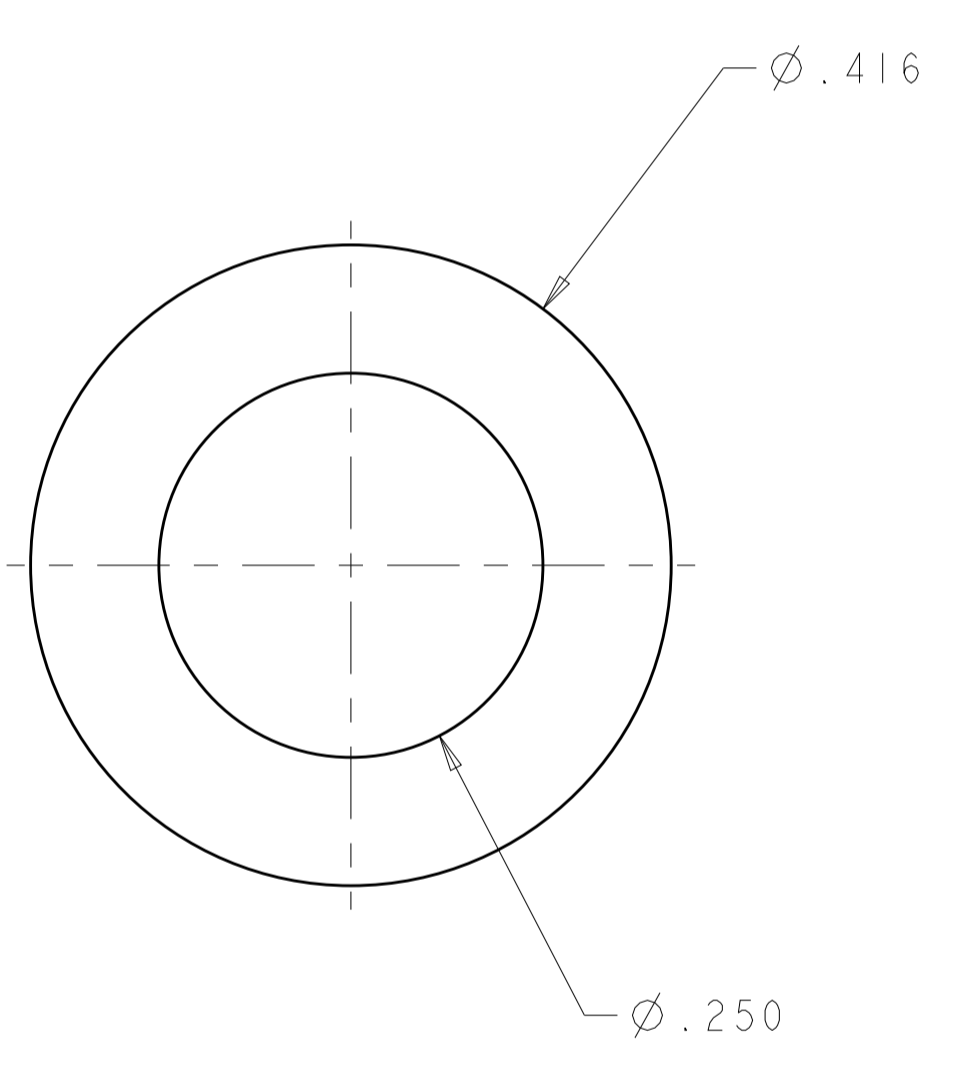

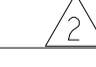



LOC	DIST	REVISIONS					
		P	LTN	DESCRIPTION	DATE	DWN	APVD
GP	00	D		REVISED PER ECO-12-017092	27SEP2012	KH	DO

- MATERIAL: COPPER ALLOY
-  SILVER PLATE .000200 MIN THK.
 OVER NICKEL PLATE .000050 MIN THK.
 TARNISH RESISTANT COATING OVER ALL
-  GOLD PLATE .000030 MIN THK. OVER
 NICKEL PLATE .000050 MINIMUM THK.
- PART NUMBER CHANGES AND OR DESIGN CHANGES AFFECTING ITEM INTERCHANGEABILITY REQUIRE TYCO ELECTRONICS APPROVAL AND AUTHORIZATION BY REVISION TO THIS DRAWING.



	1766283-2
	1766283-1
FINISH	PART NO

THIS DRAWING IS A CONTROLLED DOCUMENT.		DWN: HM VAN SCIO 26MAR2008	 TE Connectivity
DIMENSIONS: INCHES		CHK: D. DEFLAUGH 26MAR2008	
TOLERANCES UNLESS OTHERWISE SPECIFIED:		APVD: D. DEFLAUGH 26MAR2008	
0 PLC ±. 1 PLC ±.01 2 PLC ±.01 3 PLC ±.003 4 PLC ±. ANGLES ±°		NAME: CONTACT, PIN, .250 DIA, M5 X .08 INT. THD. TAPPED DRAWER, DOMINO	
MATERIAL: -	FINISH: -	WEIGHT: -	RESTRICTED TO: -
CUSTOMER DRAWING		SCALE: 4:1	SHEET 1 OF 1 REV D

单击下面可查看定价，库存，交付和生命周期等信息

[>>TE Connectivity\(泰科\)](#)