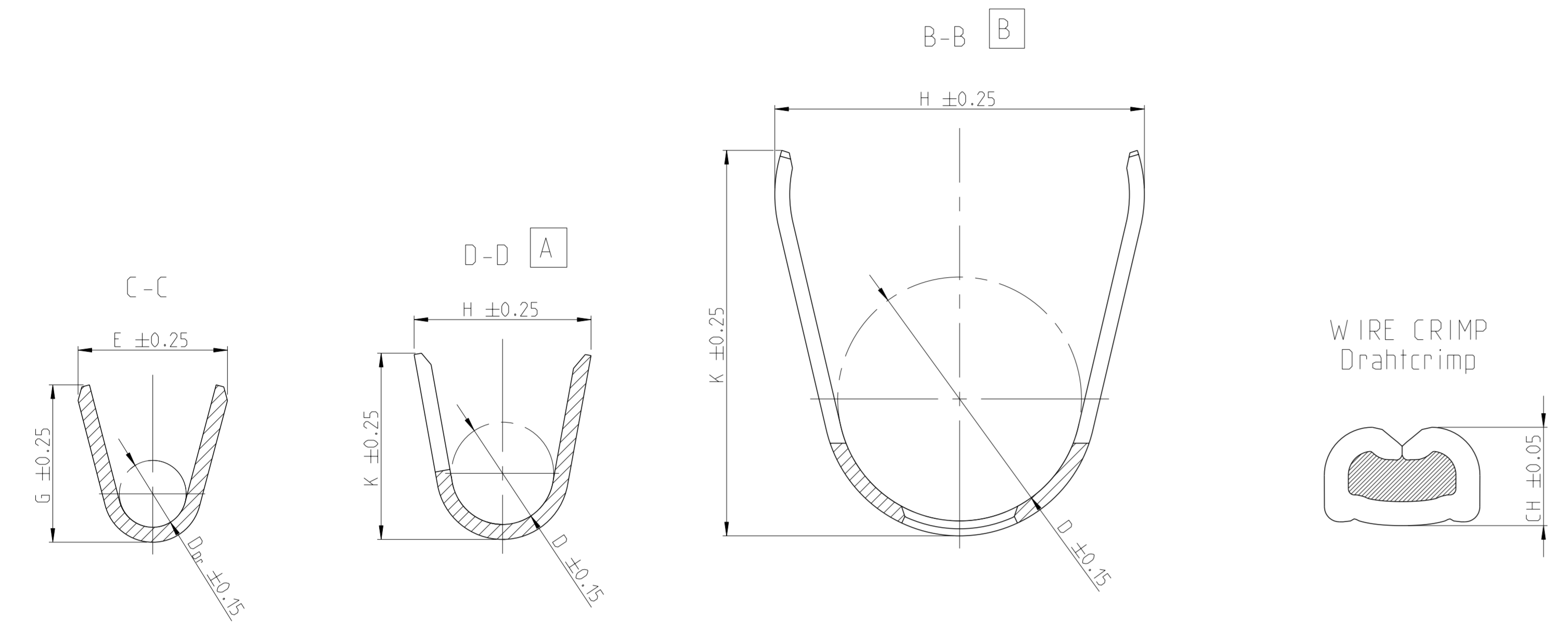


NOTES
Bemerkungen

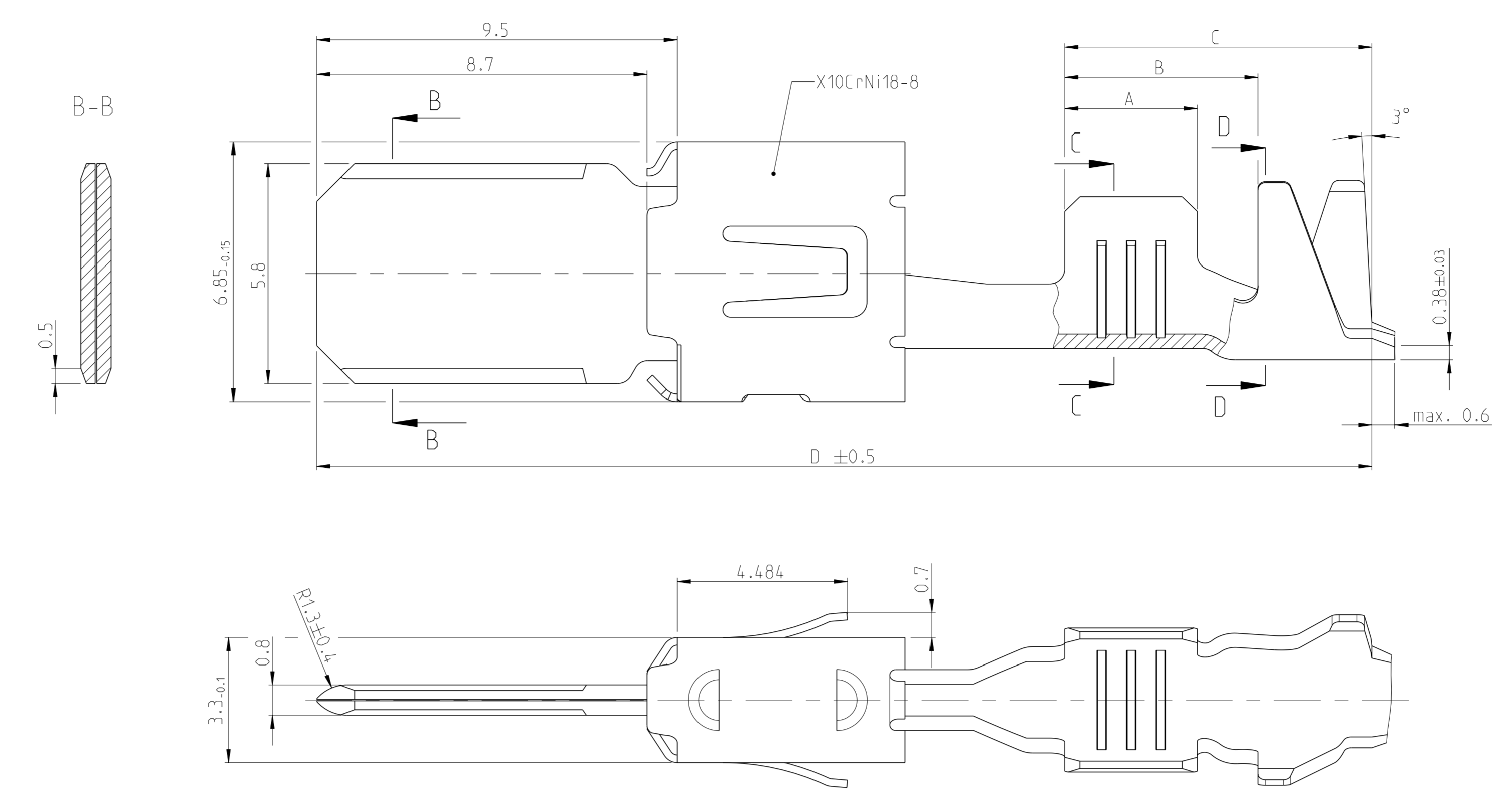
CONTACT AREA PRE SILVER MIN. 3µm
OTHER AREA PRE SILVER MIN. 1µm
SPRING BLANK
Kontaktzone vorversilbert min. 3µm
übriger Bereich vorversilbert min. 1µm
Ueberfeder blank

PRE TIN MIN. 1µm
SPRING BLANK
Vorverzinkt min. 1µm
Ueberfeder blank



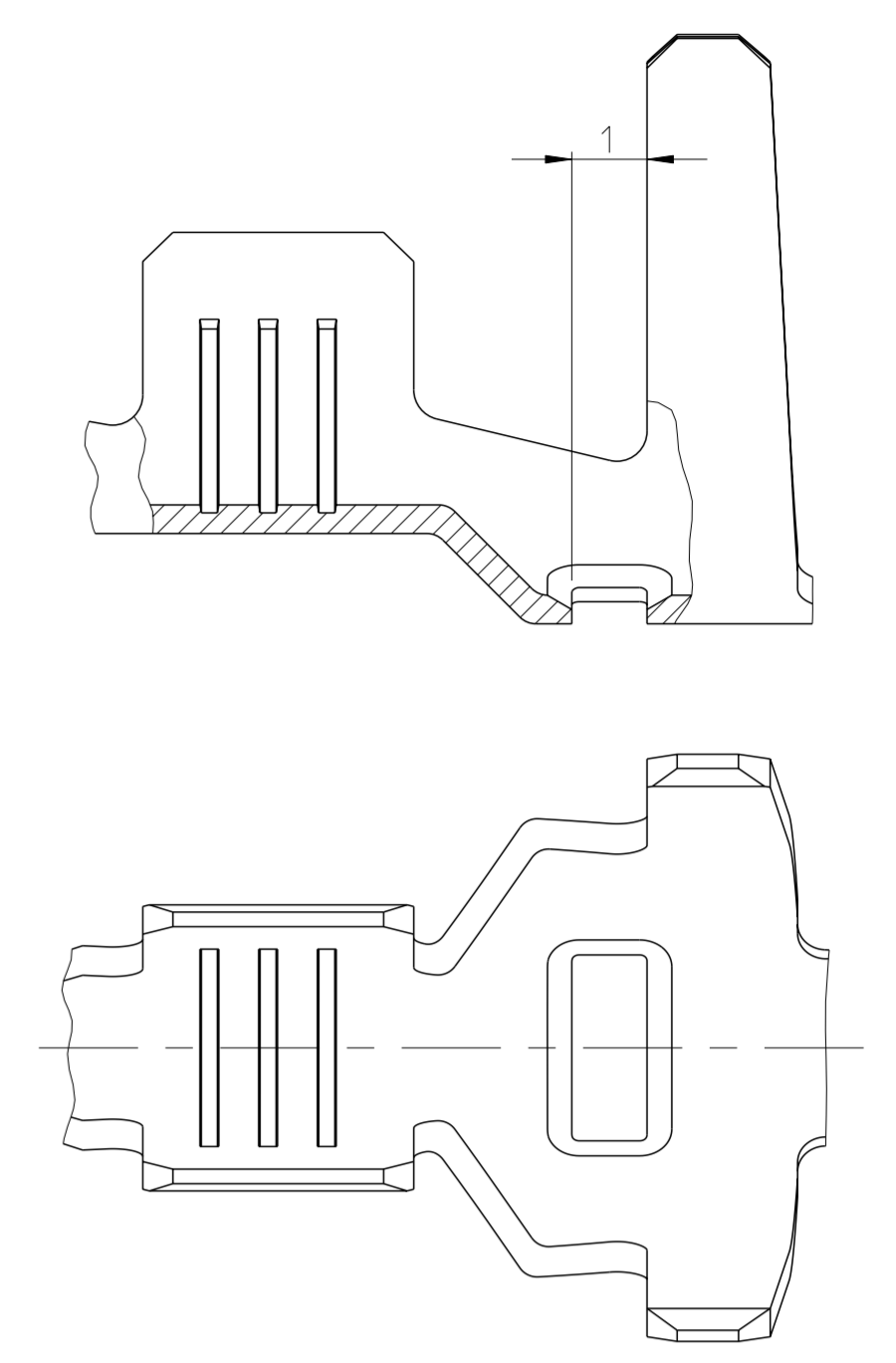
FLR-/FLK-WIRE
FLR-/FLK-Leitung

DESIGN 1
Ausführung 1

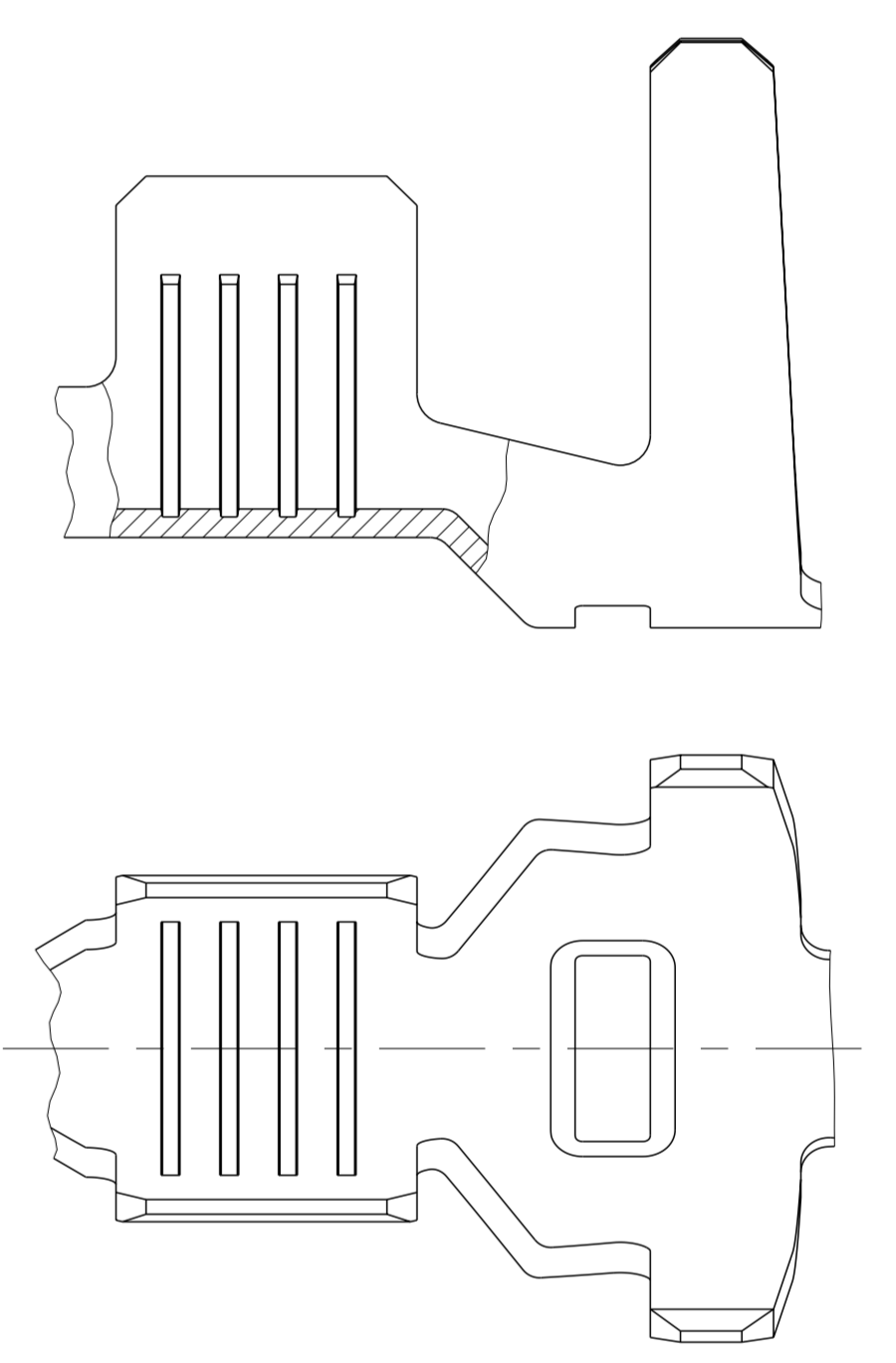


SINGLE WIRE SEAL
Einzeldichtungssystem

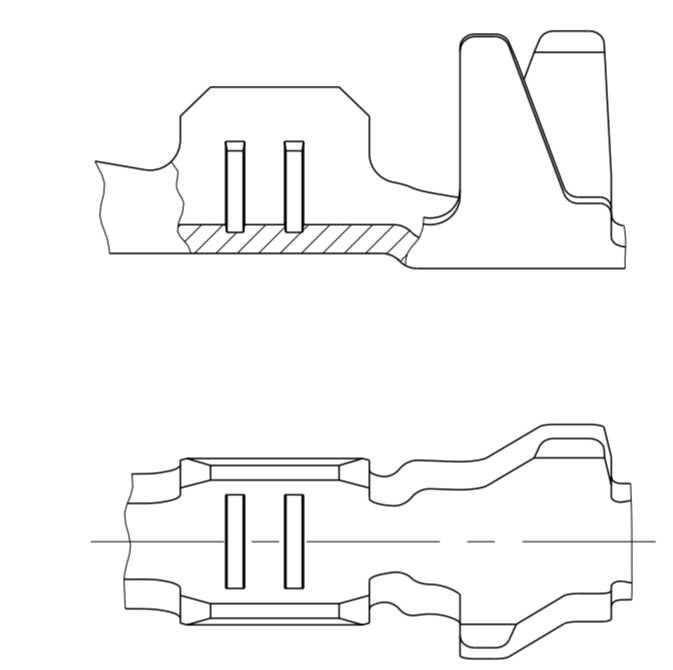
DESIGN 5
Ausführung 5



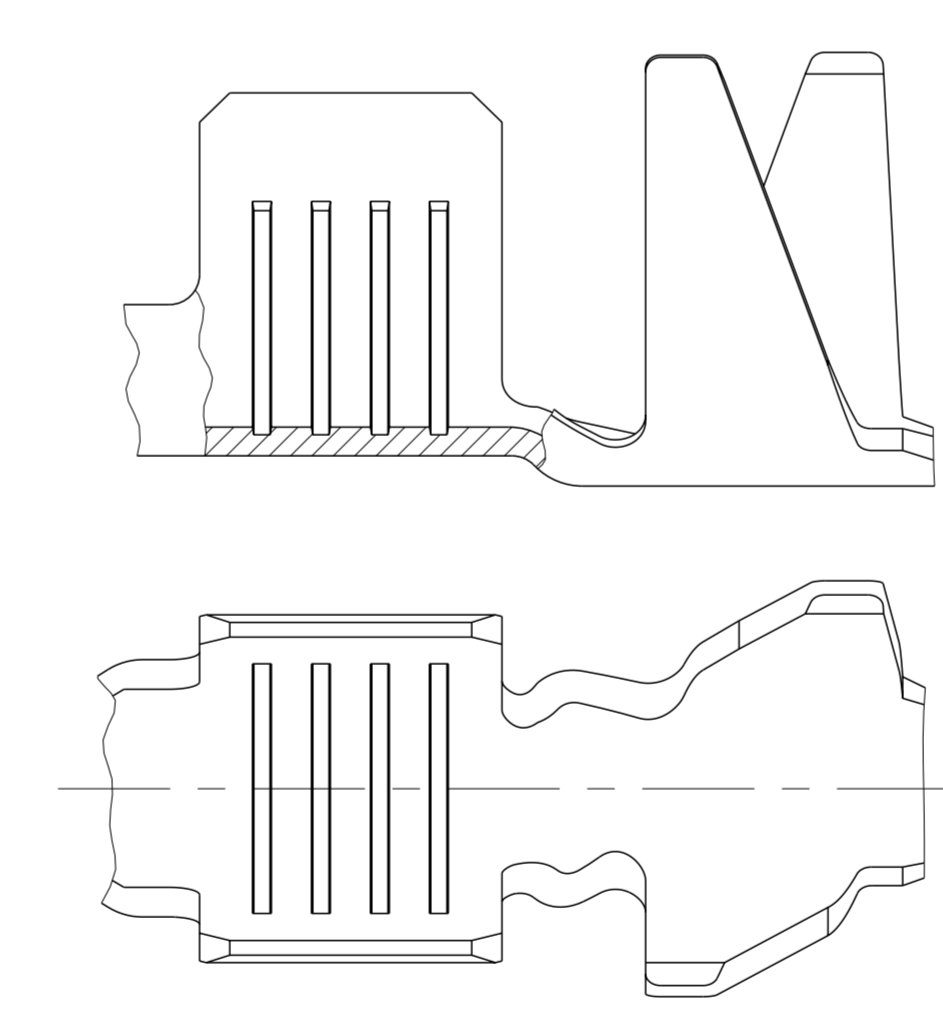
DESIGN 6
Ausführung 6



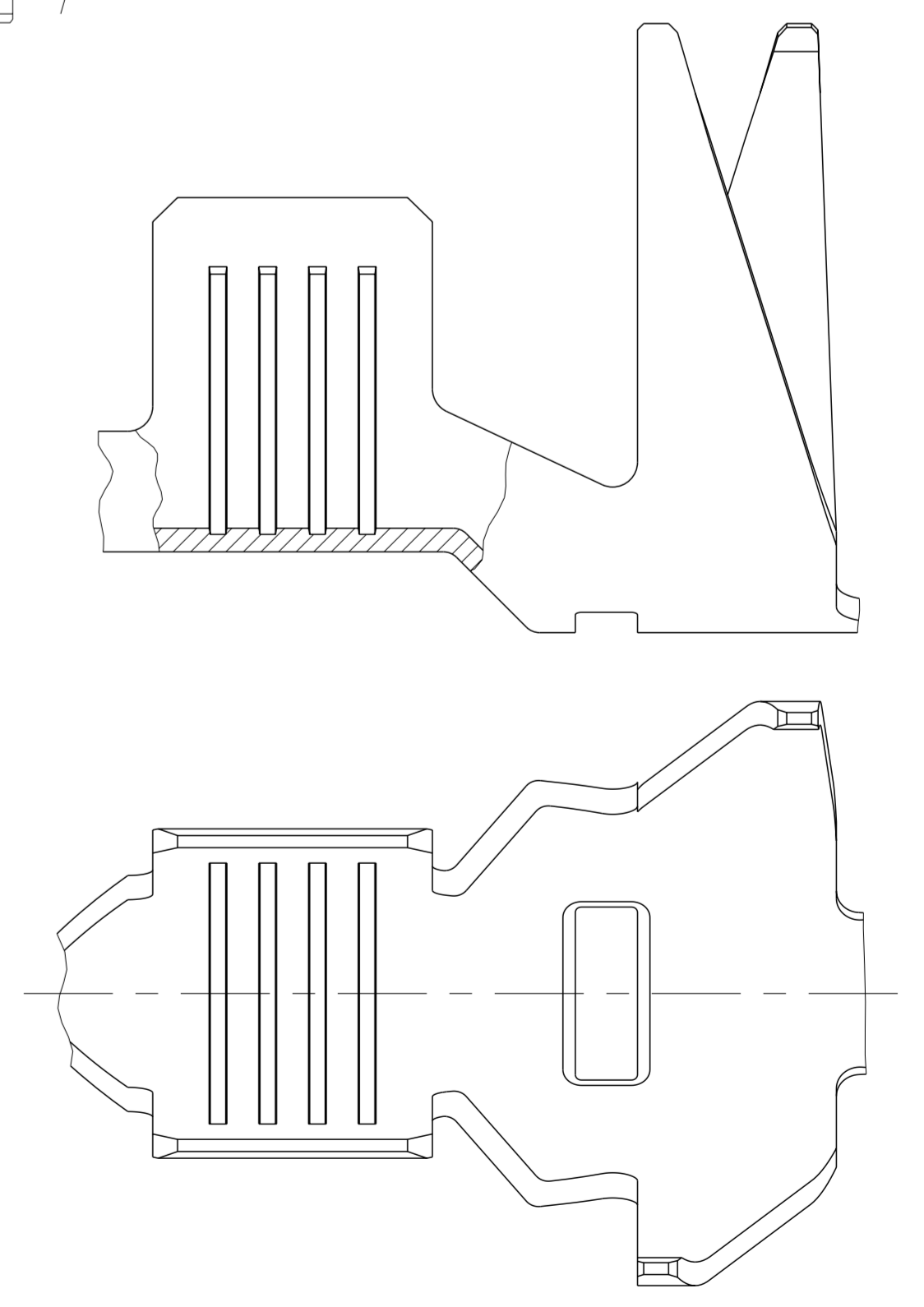
DESIGN 2
Ausführung 2



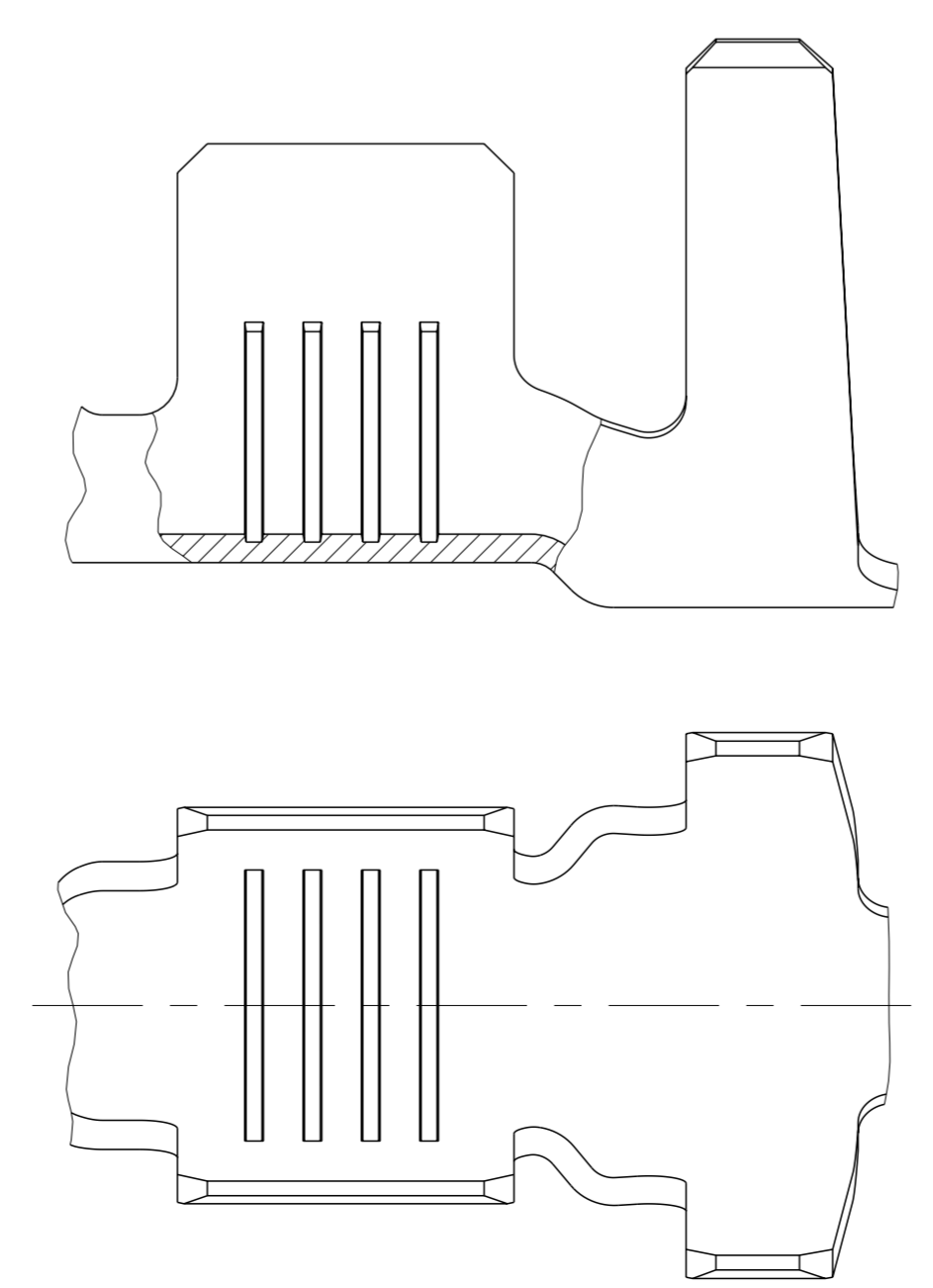
DESIGN 3
Ausführung 3



DESIGN 7
Ausführung 7

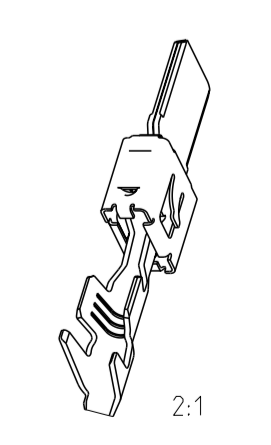


DESIGN 4
Ausführung 4



SINGLE WIRE SEAL / Einzeldichtungssystem	Part No.	Rev.	Design	Material	Surface	DGB	SEE / siehe	SEE / siehe	SEE / siehe	Application Tool	Extraction Tool	A	B	C	D	
							SECTION A-A	SECTION B-B	WIRE CRIMP							(MQC APPLICATOR HD)
SINGLE WIRE SEAL / Einzeldichtungssystem	2-2112966-2	A	7	CuFe2	△	6.0 AWG 10	E = 5.3 G = 5.7 D _{Dr} = 2.9	H = 9.4 K = 9.8 D = 6.2	6.0 mm ² = 2.35 AWG 10 = 2.30	1855636-6		4.5	7.8	11.0	29.3	
	2-962919-2	E	6	CuFe2	△	4.0	E = 4.6 G = 4.8 D _{Dr} = 2.3	H = 7.8 K = 7.8 D = 5.5	4.0 mm ² = 2.34	2-878567-2		4.0	7.1	9.1	28.3	
	1-962919-2	D		539757-2												
	1-962919-1	D														
	2-962918-2	E	5	CuFe2	△	>1.0 - 2.5	E = 3.8 G = 4.0 D _{Dr} = 1.7	H = 7.8 K = 7.8 D = 5.5	2.5 mm ² = 1.97 2.0 mm ² = 1.83 1.5 mm ² = 1.69	2-878566-2		3.6	6.7	8.7	28.3	
	2-962918-1	E		539757-2												
	1-962918-2	D														
	1-962918-1	D														
	2-962917-1	E	5	CuFe2	△	0.5 - 1.0	E = 2.8 G = 3.0 D _{Dr} = 1.1	H = 7.8 K = 7.8 D = 5.5	1.0 mm ² = 1.56 0.75 mm ² = 1.47 0.5 mm ² = 1.38	2-878565-2		3.0	6.1	8.1	28.3	
1-962917-2	D	539757-2														
1-962917-1	D															
FLK-WIRE / FLK-Leitung	2-968050-1	A	4	CuFe2	△	6.0	E = 5.3 G = 5.6 D _{Dr} = 2.9	H = 7.3 K = 7.6 D = 4.6	6.0 mm ² = 2.55 4.0 mm ² = 2.17	2-878968-2		4.5	6.8	9.1	28.8	
	1-968050-1	A		CuSn4	△					4.0						
	2-962846-1	D	3	CuFe2	△	4.0	E = 4.6 G = 4.8 D _{Dr} = 2.4	H = 6.7 K = 7.0 D = 4.0	4.0 mm ² = 2.33	2-878564-2		4.0	6.0	10.8	30.5	
	1-962846-2	C		CuSn4	△											
	1-962846-1	C														
	1-962845-2	D	1	CuSn4	△	>1.0 - 2.5	E = 3.8 G = 4.0 D _{Dr} = 1.7	H = 5.7 K = 5.9 D = 3.2	2.5 mm ² = 1.97 2.0 mm ² = 1.83 1.5 mm ² = 1.69	2-878563-2		3.6	5.2	9.0	28.7	
1-962845-1	D	539759-2														
FLR-WIRE / FLR-Leitung	2-968050-2	A	4	CuFe2	△	6.0	E = 5.3 G = 5.6 D _{Dr} = 2.9	H = 7.3 K = 7.6 D = 4.6	6.0 mm ² = 2.35	2836646		4.5	6.8	9.1	28.8	
	2-963736-2	C	3	CuFe2	△	4.0	E = 4.6 G = 4.8 D _{Dr} = 2.3	H = 5.5 K = 5.7 D = 3.2	4.0 mm ² = 2.33	2-878562-2		4.0	5.9	9.3	29.0	
	2-963736-1	C		CuSn4	△											
	1-963736-2	B														
	1-963736-1	B	1	CuFe2	△	>1.0 - 2.5	E = 3.8 G = 4.0 D _{Dr} = 1.7	H = 4.5 K = 4.7 D = 2.6	2.5 mm ² = 1.97 2.0 mm ² = 1.83 1.5 mm ² = 1.69	2-878561-2		3.5	5.1	8.1	27.8	
	2-963735-2	C		CuSn4	△											
	1-963735-2	B														
	1-963735-1	B														
	2-963734-2	C	1	CuFe2	△	0.5 - 1.0	E = 2.8 G = 3.0 D _{Dr} = 1.1	H = 3.3 K = 3.5 D = 1.8	1.0 mm ² = 1.56 0.75 mm ² = 1.47 0.5 mm ² = 1.38	2-878654-2		3.0	4.6	6.8	26.5	
	2-963734-1	C		CuSn4	△											
	1-963734-2	B														
	1-963734-1	B														
2-965984-1	A	2	CuFe2	△	0.2 - 0.5	E = 2.2 G = 2.2 D _{Dr} = 0.8	H = 3.1 K = 3.1 D = 1.4	-	-		2.5	3.7	5.7	26.5		
1-965984-1	B		CuSn4	△												

THIS DRAWING IS A CONTROLLED DOCUMENT.		REV. 1	DATE 01.07.2001	BY T. Meierhofer	CHK T. Meierhofer
DIMENSIONS: mm		±0.2	TOLERANCES UNLESS OTHERWISE SPECIFIED.		
MATERIAL: -		FINISH: -	WEIGHT: -	Customer Drawing	
TE ORDER-NO. STRIP FORM TE Bestellnr. Bandware	REV.	DESIGN Ausführung	MATERIAL Werkstoff	SURFACE Oberflaeche	DGB mm ²
WIRE CRIMP Drahtcrimp		INSUL. CRIMP Isolationscrimp	WIRE CRIMP HEIGHT CH Drahtcrimphoehe CH		
APPLICATION TOOL (MQC APPLICATOR HD) Anschlagwerkzeug		EXTRACTION TOOL Ausdrueckwerkzeug No. 726548-1			
CRIMP DIMENSIONS mm Crimpabmessungen mm		SCALE 10:1 SHEET 1 of 1			



单击下面可查看定价，库存，交付和生命周期等信息

[>>TE Connectivity\(泰科\)](#)