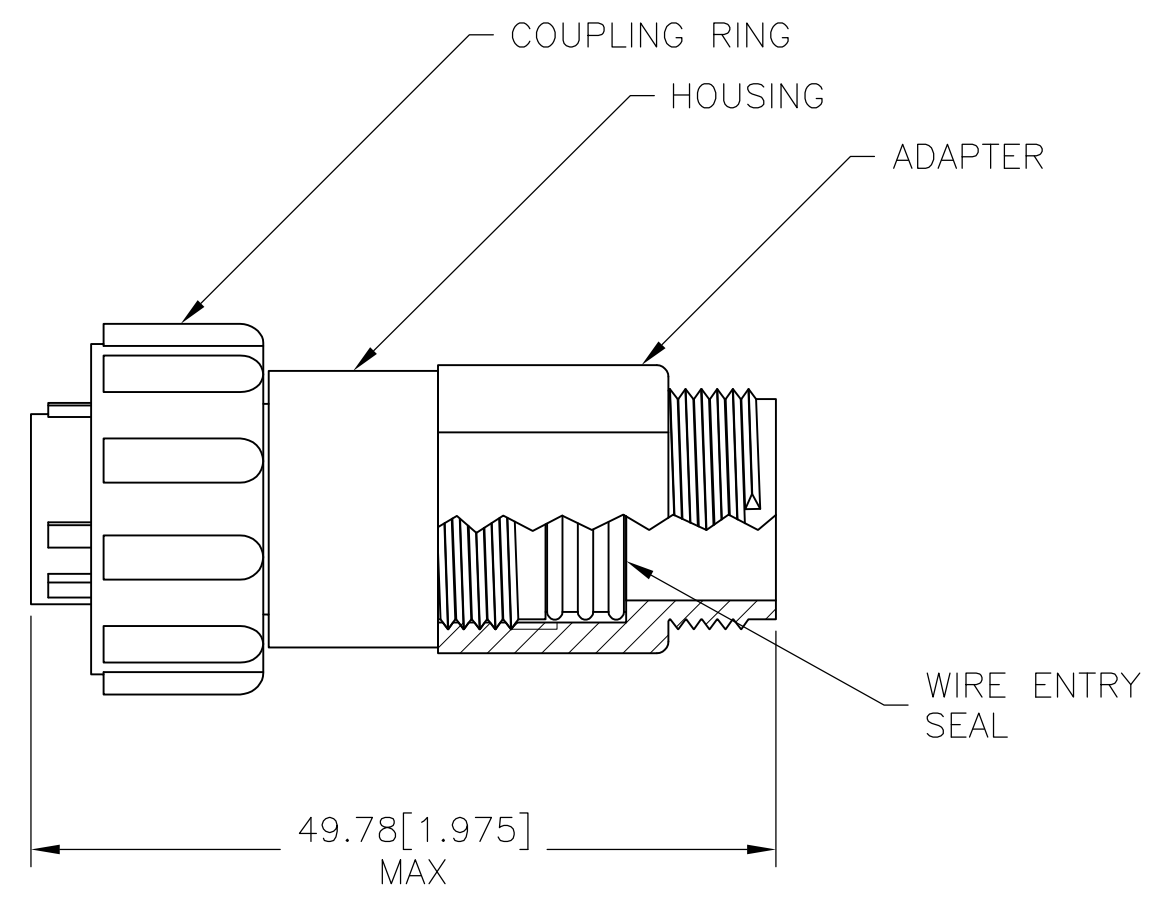
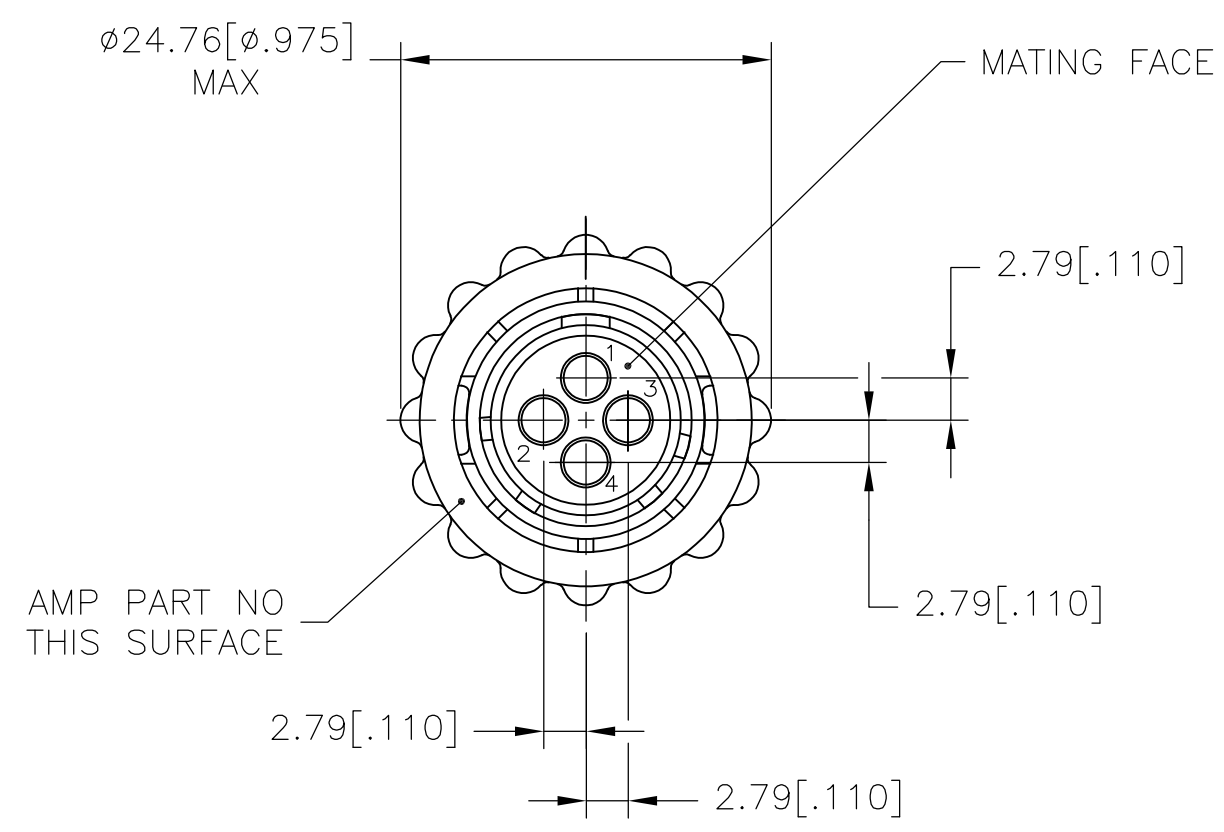


THIS DRAWING IS UNPUBLISHED. RELEASED FOR PUBLICATION  
 © COPYRIGHT - By - ALL RIGHTS RESERVED.

REVISIONS					
P	LTR	DESCRIPTION	DATE	DWN	APVD
	A	REVISED PER ECO-15-002073	06MAY2015	NK	MZ
	B	REVISED PER ECR-16-016563	07DEC2016	RS	MZ



- 1 HOUSING, COUPLING RING & ADAPTER: NYLON 6/6, BLACK.  
WIRE ENTRY SEAL: ELASTOMER, RED.
- 2 THIS CONNECTOR WILL ACCEPT FOUR (4) MULTIMATE PIN CONTACTS.
- 3 SPECIAL PACKAGING CONSISTING OF 20 CONNECTORS PER BAG, 5 BAGS PER SHIPPER BOX.

3	OBSOLETE	<del>788153-3</del>
		788153-2
	PART NUMBER	

THIS DRAWING IS A CONTROLLED DOCUMENT.		DWN P.BENNINGHOVE 01 OCT 97	<b>STE</b> TE Connectivity		
		CHK K.DOWHOWER 28 OCT 99			
DIMENSIONS: mm [INCHES]		APVD K.DOWHOWER 28 OCT 99	NAME		
TOLERANCES UNLESS OTHERWISE SPECIFIED:		PRODUCT SPEC	PLUG ASSEMBLY, 11-4, REVERSE SEX, SERIES I, SEALED, CPC		
0 PLC ± -		108-1579	APPLICATION SPEC		
1 PLC ± -		114-10038	SIZE	CAGE CODE	DRAWING NO
2 PLC ± 0.13 [.005]		WEIGHT -	A3	00779	C-788153
3 PLC ± -		CUSTOMER DRAWING	SCALE 2:1		SHEET 1 OF 1
4 PLC ± -			REV B		
ANGLES ± -					
FINISH -					
MATERIAL 1					

单击下面可查看定价，库存，交付和生命周期等信息

[>>TE Connectivity\(泰科\)](#)