

4

3

2

1

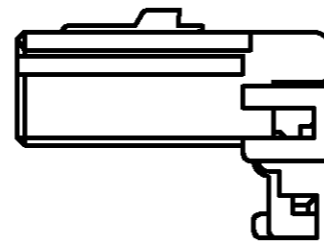
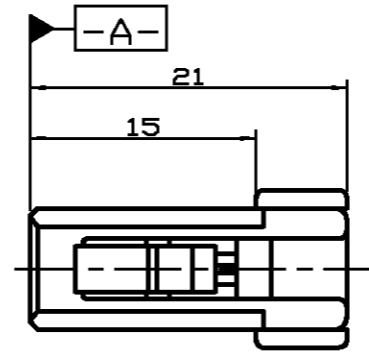
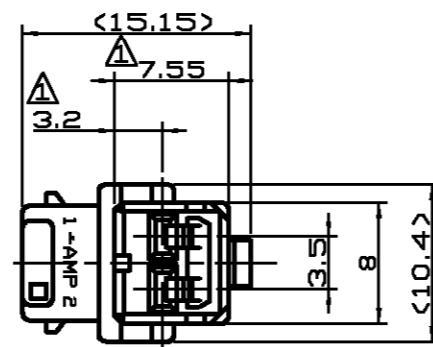
THIS DRAWING IS UNPUBLISHED.

RELEASED FOR PUBLICATION

© COPYRIGHT

ALL RIGHTS RESERVED.

LOC	DIST	REVISIONS					
		P	LTR	DESCRIPTION	DATE	DWN	APVD
DS	-		C1	REVISED PER ECO-11-005294	13APR11	RK	HMR



NOTES

- 1. MUST BE KEPT BETWEEN -A- AND 2.0 mm
- 2. APPLIED RECEPTACLE CONTACT P/N: 173631.
- 3. APPLIED PLUG HSG P/N: 368545.

368538-5	BLUE
368538-2	BLACK
368538-1	WHITE
PART NUMBER	COLOR

<p>DIMENSIONS: MM</p>		<p>TOLERANCES UNLESS OTHERWISE SPECIFIED:</p> <p>0 <XX<10 ± 0.2</p> <p>10<XX<30 ± 0.25</p> <p>30<XX ± 0.3</p> <p>ANGLES ± 3°</p>		<p>DWN IS WOO</p> <p>CHK KT LIM</p> <p>APVD JK SONG</p> <p>PRODUCT SPEC -</p> <p>APPLICATION SPEC -</p> <p>WEIGHT 0.9 g</p>		<p>NAME</p> <p>STE TE Connectivity</p> <p>.070 MLC 2P PLUG HSG.</p>		
<p>MATERIAL P.B.T</p>		<p>FINISH -</p>		<p>SIZE A3</p> <p>CAGE CODE 00779</p> <p>DRAWING NO C=368538</p>		<p>RESTRICTED TO -</p>		
<p>CUSTOMER DRAWING</p>						<p>SCALE 2/1</p>	<p>SHEET 1 OF 1</p>	<p>REV C1</p>

单击下面可查看定价，库存，交付和生命周期等信息

[>>TE Connectivity\(泰科\)](#)