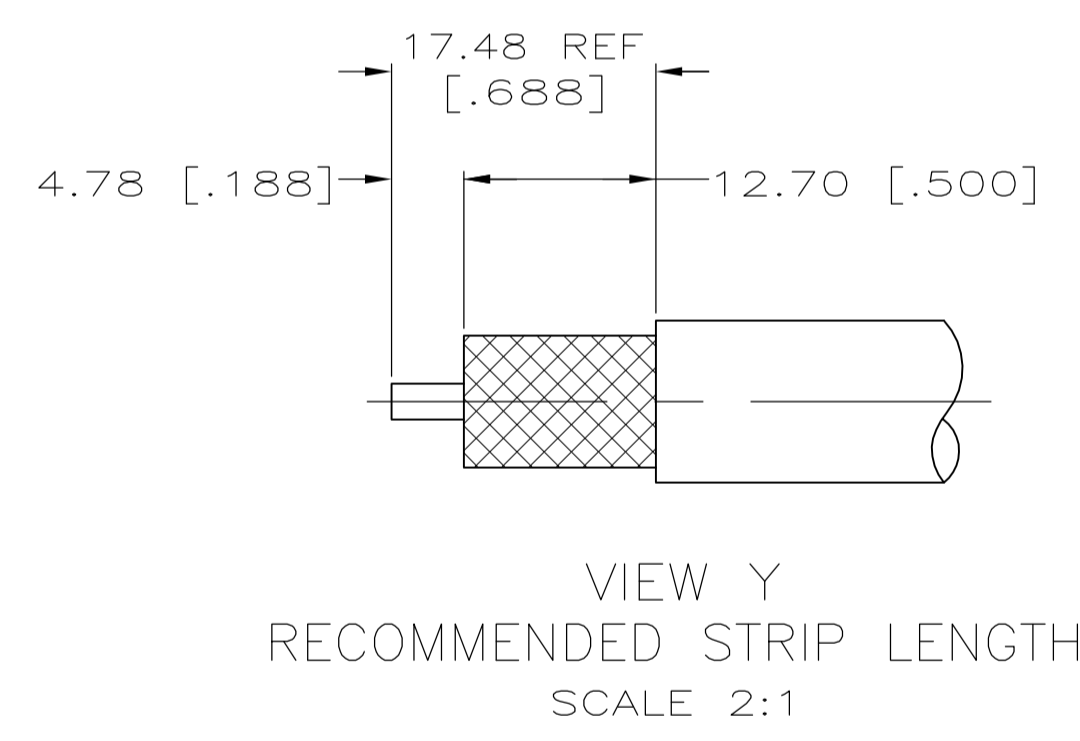
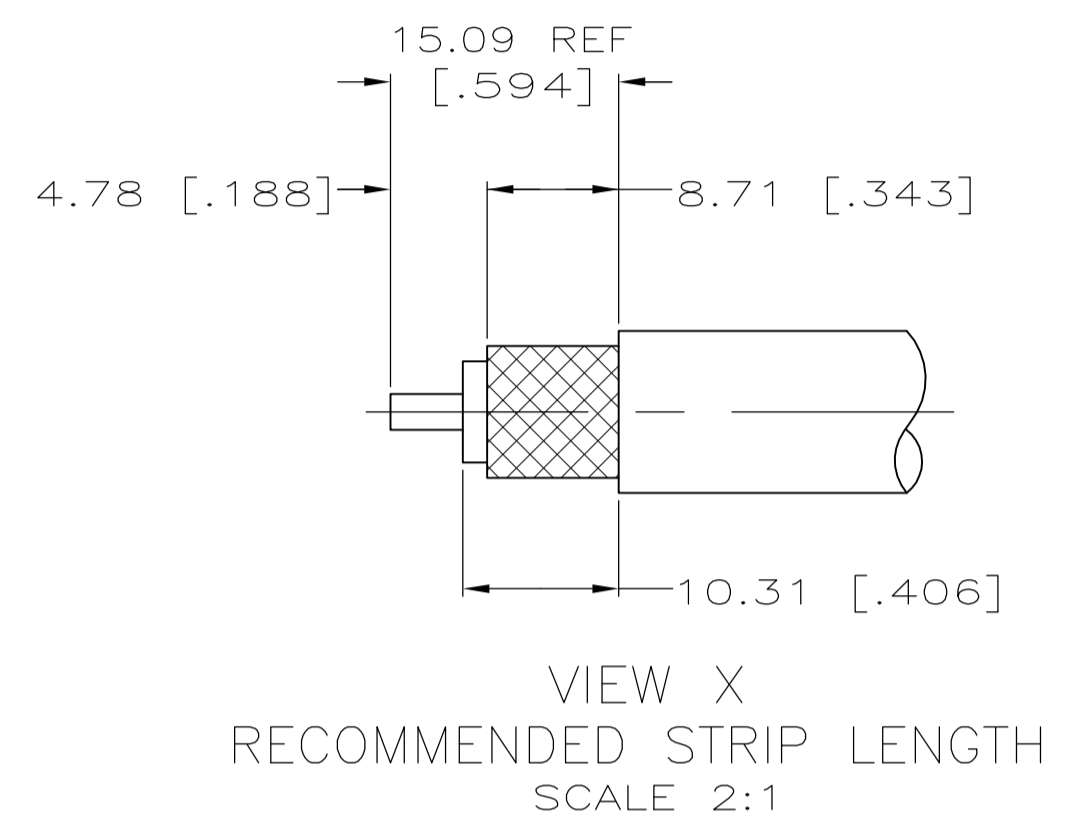
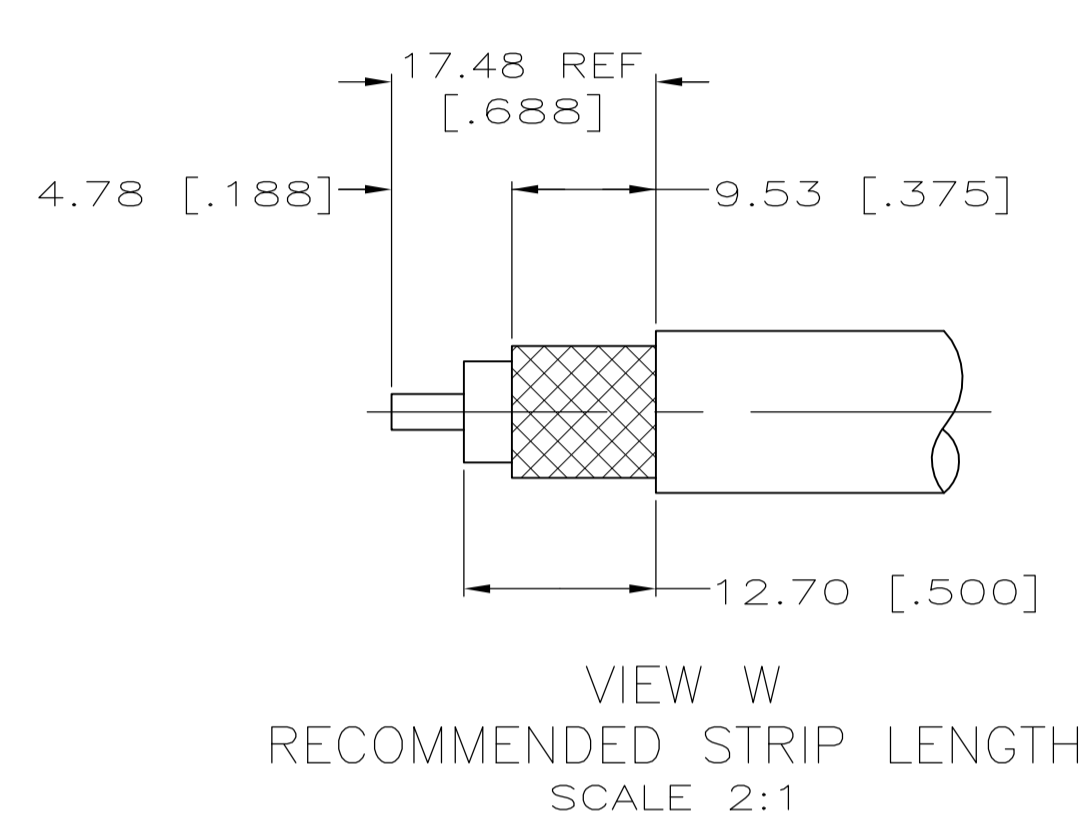
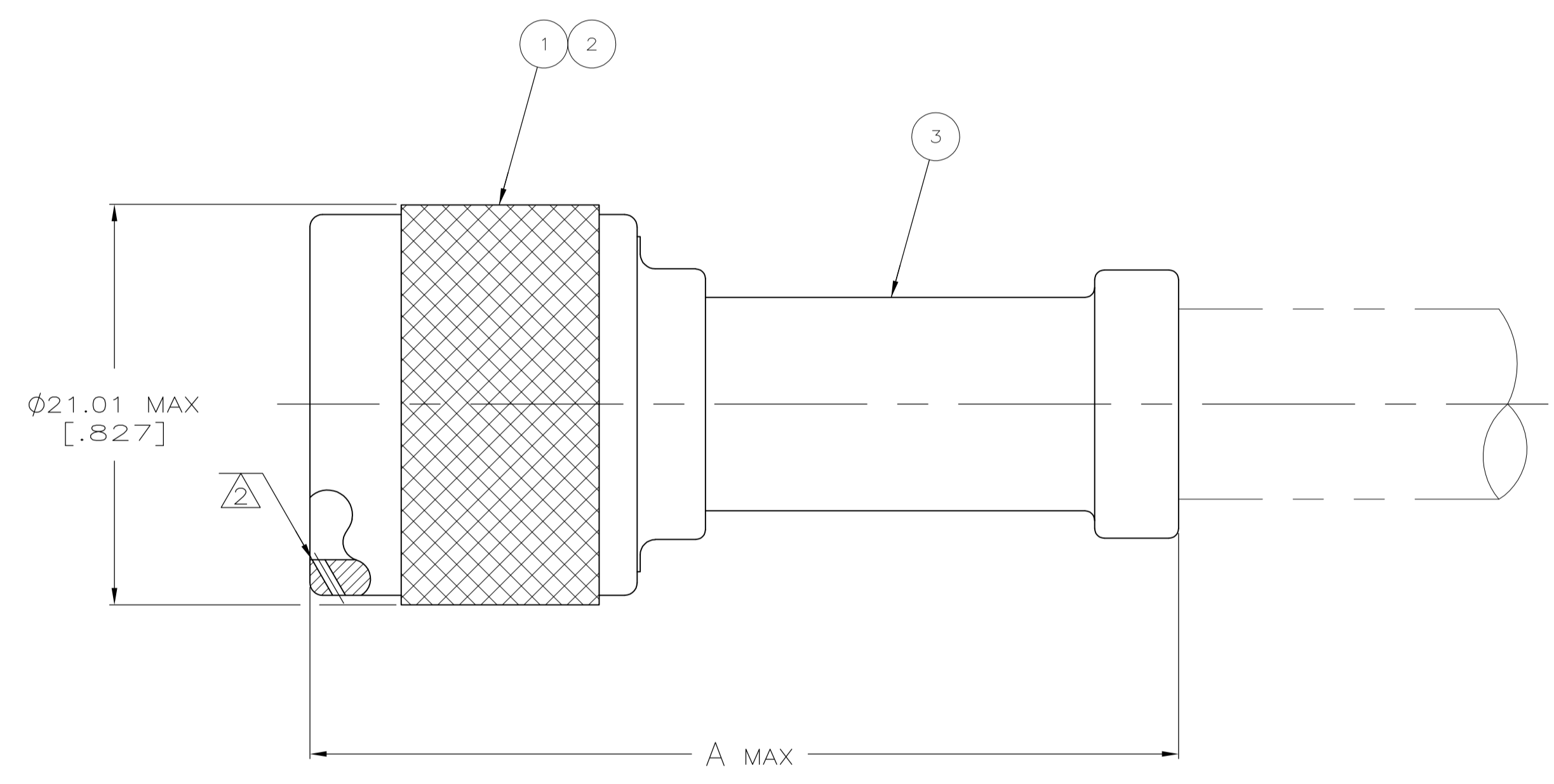


LOC		DIST		REVISIONS			
REV	DATE	DESCRIPTION	DATE	DWN	APVD		
A	17DEC05	REV PER EC-0514-0028-05	17DEC05	BC	KW		
A1	31OCT09	REVISED PER ECO-09-024606	31OCT09	KK	AEG		



- PARTS PACKAGED UNASSEMBLED
- THREE SAFETY WIRE HOLES  $\phi 0.61$  [.024] MINIMUM, EQUALLY SPACED AROUND CIRCUMFERENCE
- BELDEN 9292 (WITH 95% BRAID COVERAGE)
- SEE I.S. 2028-1
- OBSOLETE PARTS: OBSOLETE CIS STREAMLINING PER D.RENAUD/D.SINISI



OBSOLETE	BRAND REX T-13485	2-5225662-2 AMP	220015-1	47.22 [1.859]	W	9-331987-2	2-51695-9	225081-3	2-5225662-2
OBSOLETE		1-5225662-8 AMP	220015-1	47.22 [1.859]	W	9-331987-0	2-51695-6	225081-3	1-5225662-8
OBSOLETE	RG-141/U & 141A/U	1-5225662-4 AMP	220045-2	42.85 [1.687]	X	9-225560-1	225343-4	225412-6	1-5225662-4
OBSOLETE	RG-393/U	1-5225662-1 AMP	220015-1	47.22 [1.859]	Y	9-225490-0	2-51695-3	225081-3	1-5225662-1
	RG-213/U	5225662-2 AMP	220015-1	47.22 [1.859]	W	9-331987-0	2-51695-1	225081-3	5225662-2
OBSOLETE	RG-9/U,9A/U,9B/U & 214/U	5225662-1 AMP	220015-1	47.22 [1.859]	Y	9-331987-1	2-51695-1	225081-3	5225662-1
	CABLE SIZE	STAMPING	CRIMP TOOL	A	VIEW	3 FERRULE QTY=1	2 CONTACT QTY=1	1 PLUG ASSY QTY=1	PART NUMBER

THIS DRAWING IS A CONTROLLED DOCUMENT.

DIMENSIONS: INCHES	TOLERANCES UNLESS OTHERWISE SPECIFIED:	DIN A: FERNANDEZ-DOCKS 31JAN2005	APVD G: MICHAEL 31JAN2005	NAME: MICHAEL	RESTRICTED TO: -
0. PLC ± -	1. PLC ± -	2. PLC ± 0.41 [016]	3. PLC ± -	4. PLC ± -	RESTRICTED TO: -
		Tyco Electronics Corporation Harrisburg, PA 17105-3608		Tyco Electronics PLUG, WEATHERPROOF, SERIES N	RESTRICTED TO: -
MATERIAL: -	FINISH: -	WEIGHT: 1.3 OZ MAX	SCALE: 4:1	SHEET: 1 OF 1	REV: A1

单击下面可查看定价，库存，交付和生命周期等信息

[>>TE Connectivity\(泰科\)](#)