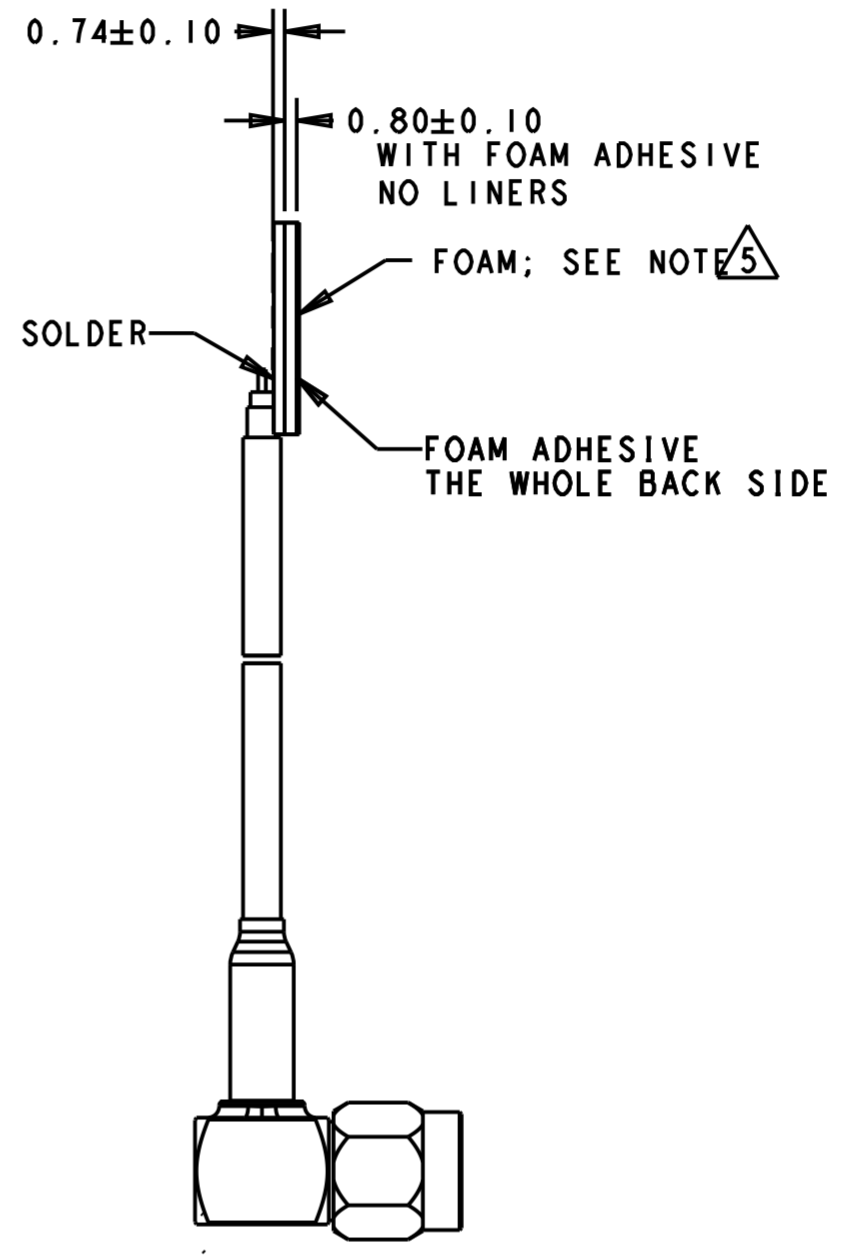
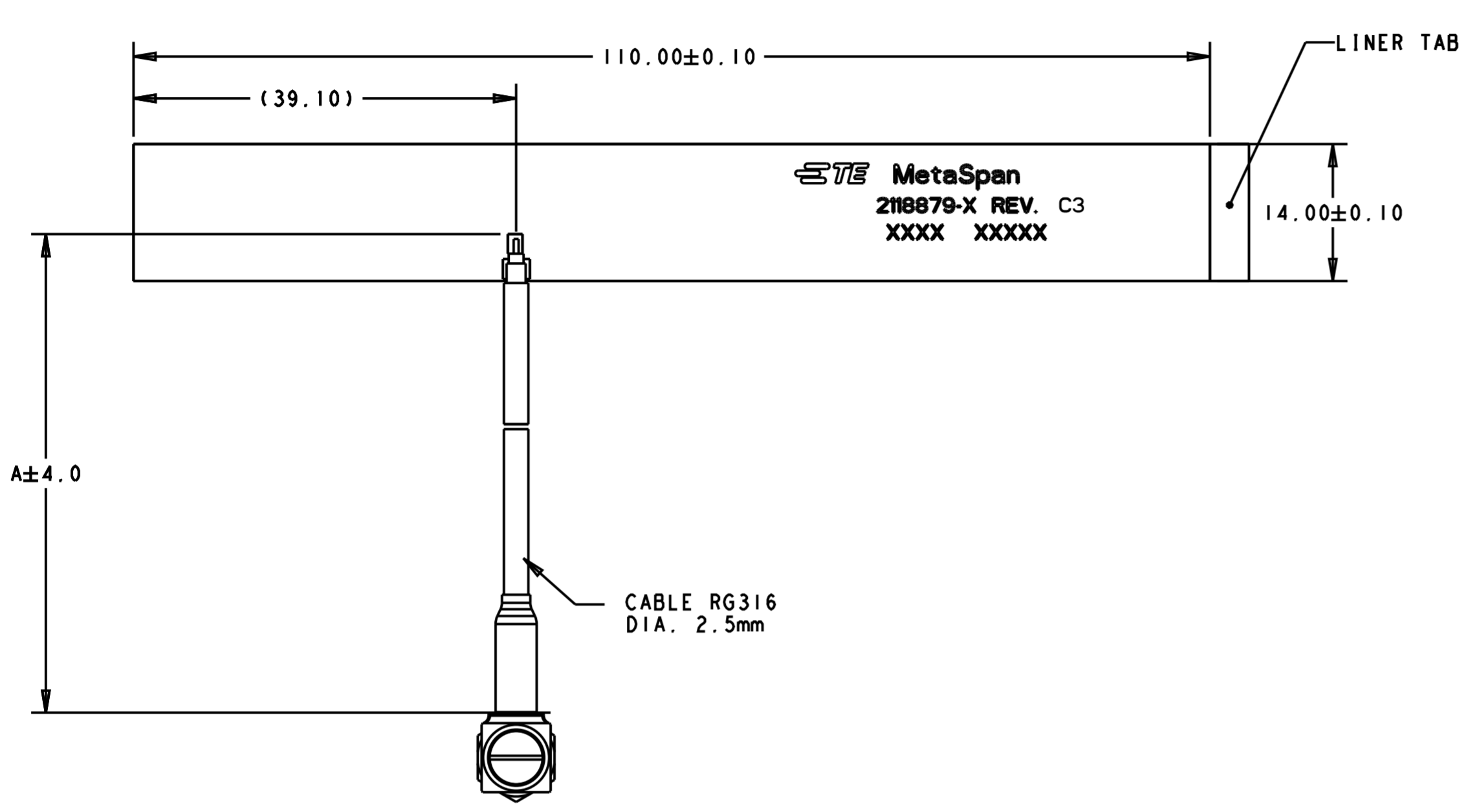


THIS DRAWING IS UNPUBLISHED. RELEASED FOR PUBLICATION 20
 © COPYRIGHT 20 BY ALL RIGHTS RESERVED.

REVISIONS				
P	LYR	DESCRIPTION	DATE	APVD
B		CHANGE CONN. TO RIGHT ANGLE	15MAR2019	CR JLM
C		REVISED PER ECO-19-015607	14OCT2019	DW AC
C1		+NEW PN-6 CHANGE CABLE AND SMA CON.	07JUL2020	DC AC
C2		UPDATE PRINT REV TO C3	01JAN2021	DC AC

AS SHOWN PN-1, -2



NOTES: UNLESS OTHERWISE SPECIFIED.

- FABRICATE TO MEET IPC - 6013, CLASS 2.
INSPECT TO MEET IPC - A - 600, CLASS 2.
- MATERIAL: A. PCB; FR4, COPPER THICKNESS 1/2 OZ.
B. CABLE; RG316, COLOR: BROWN
C. CONNECTOR: SMA CONNECTOR
D. FOAM: 3M VHB RP32, GRAY
- FINISH: A. SOLDERMASK (SMOBC) COLOR: ORANGE
B. ENIG-ELECTROLESS NICKEL IMMERSION GOLD ON EXPOSED
SOLDER AREAS PRIOR TO SOLDERING.
- PRODUCT AND PROCESSING MEET REQUIREMENTS OF TE
CONNECTIVITY ENVIRONMENTAL STANDARD TEC-138-702.
LOW HALOGEN: CODE2:LOW Br/Cl PER TEC-138-702

5. ADHESIVE; REMOVE PAPER BACKING OF PRESSURE SENSITIVE ADHESIVE TO APPLY.

- SILKSCREEN; WHITE EPOXY INK
A. TE LOGO, TE P/N
B. WORD REV., FOLLOWED BY THE LATEST REVISION LETTER, AS SHOWN.
C. 4 DIGIT DATE CODE. FIRST 2 DIGITS FOR THE
WEEK CODE AND THE 2ND TWO DIGITS FOR THE YEAR CODE.
SPECIFIC TE VENDOR CODE NUMBER DIGITS AS REQUIRED.

457.2	18"	2118879-2
254	10"	2118879-1
MM	INCH	PART NUMBER
"A" CABLE LENGTH		

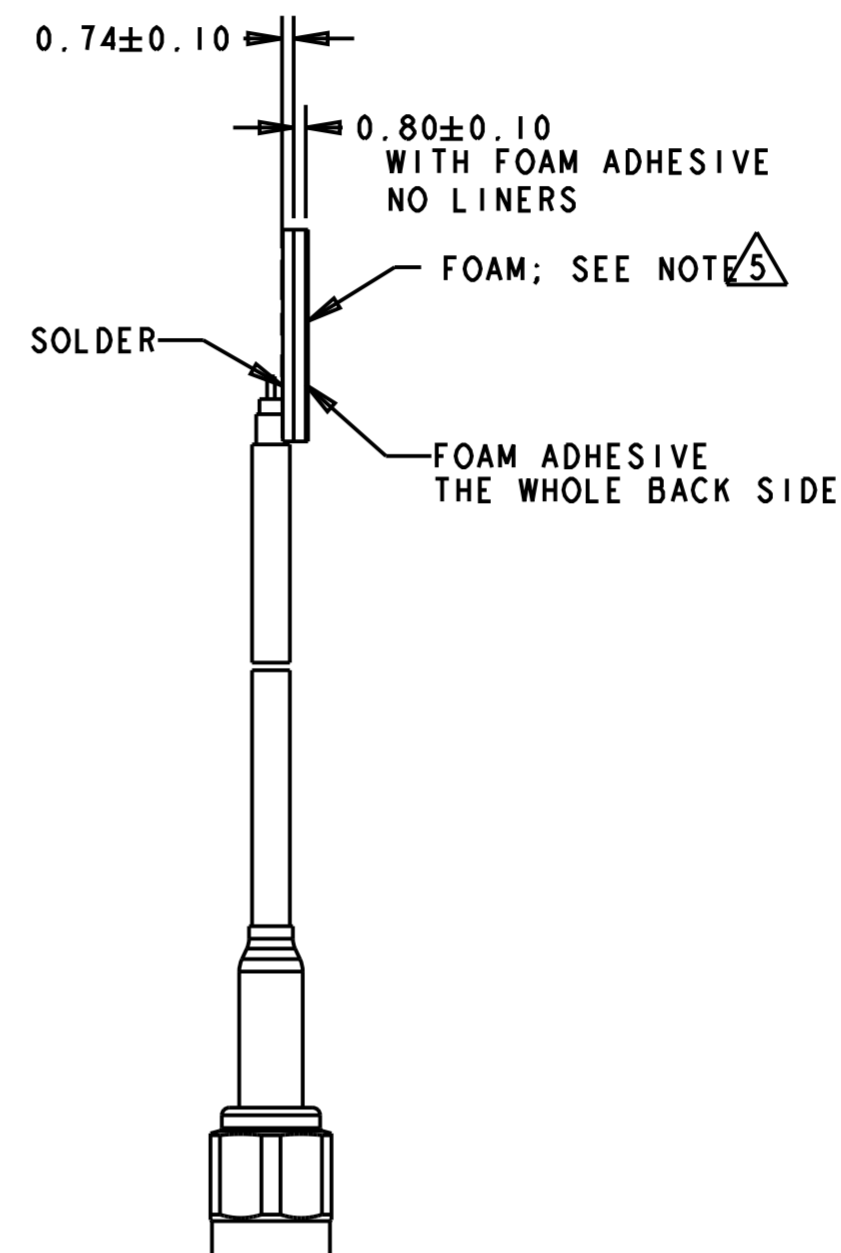
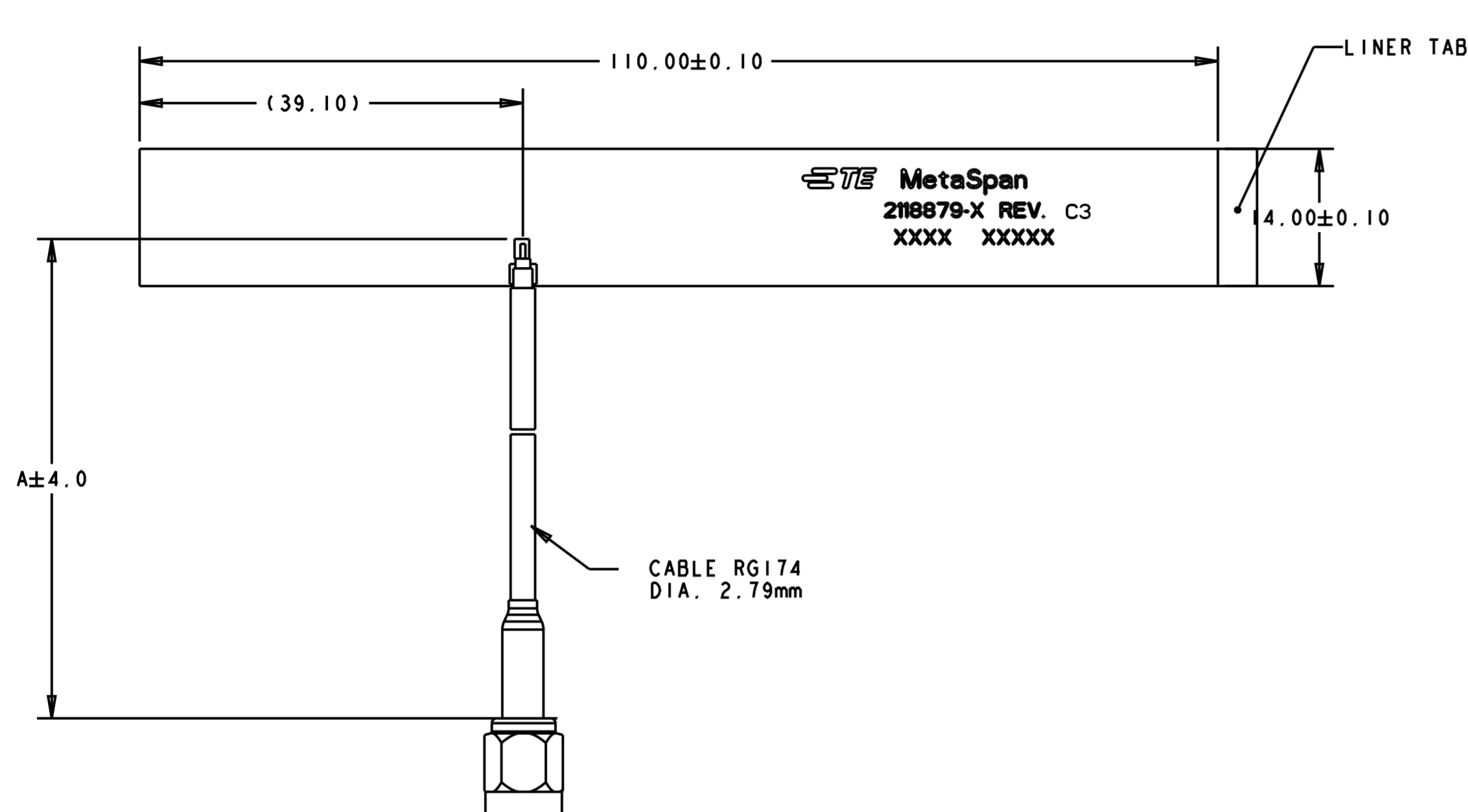
THIS DRAWING IS A CONTROLLED DOCUMENT.

DIMENSIONS:	TOLERANCES UNLESS OTHERWISE SPECIFIED:	DWN C. REGUS 10MAY2018	TE Connectivity NAME 4G WORLD BAND METASPAN PCB DEPENDENT
mm	0 PLC ± 1 PLC ±0.5 2 PLC ±0.13 3 PLC ±0.013 4 PLC ±0.0001	CHK C. REGUS 10MAY2018	
	ANGLES ± FINISH	APVD J. MOORE 10MAY2018	
MATERIAL		PRODUCT SPEC	
		APPLICATION SPEC	RESTRICTED TO
		WEIGHT	SIZE A2 CAGE CODE 00779 DRAWING NO C-2118879
		CUSTOMER DRAWING	SCALE 2:1 SHEET 1 OF 2 REV C2

THIS DRAWING IS UNPUBLISHED. RELEASED FOR PUBLICATION 20
 © COPYRIGHT 20 BY ALL RIGHTS RESERVED.

REVISIONS				
P	LTR	DESCRIPTION	DATE	APVD
		SEE SHEET 1		

AS SHOWN PN-4 - 6



457.2	18"	2118879-6
130.0	5.12"	2118879-4
MM	INCH	PART NUMBER
"A" CABLE LENGTH		

DIMENSIONS:		TOLERANCES UNLESS OTHERWISE SPECIFIED:		DWN		CHK		APVD		NAME	
mm		0 PLC	±	C. REGIUS	10MAY2018	C. REGIUS	10MAY2018	J. MOORE	10MAY2018	4G WORLD BAND METASPAN PCB DEPENDENT	
		1 PLC	±0.5	PRODUCT SPEC		APPLICATION SPEC		SIZE		CAGE CODE	DRAWING NO
		2 PLC	±0.13	WEIGHT		SCALE		SHEET		OF	REV
		3 PLC	±0.013	CUSTOMER DRAWING		2:1		2		2	C2
		4 PLC	±0.0001								
		ANGLES	±								
		FINISH									

STE TE Connectivity

A200779 C-2118879

单击下面可查看定价，库存，交付和生命周期等信息

[>>TE Connectivity\(泰科\)](#)