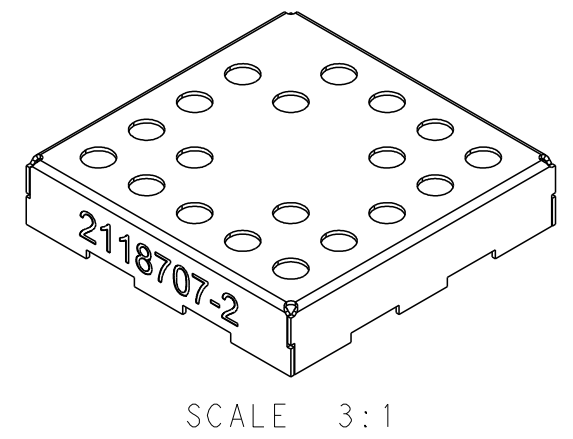
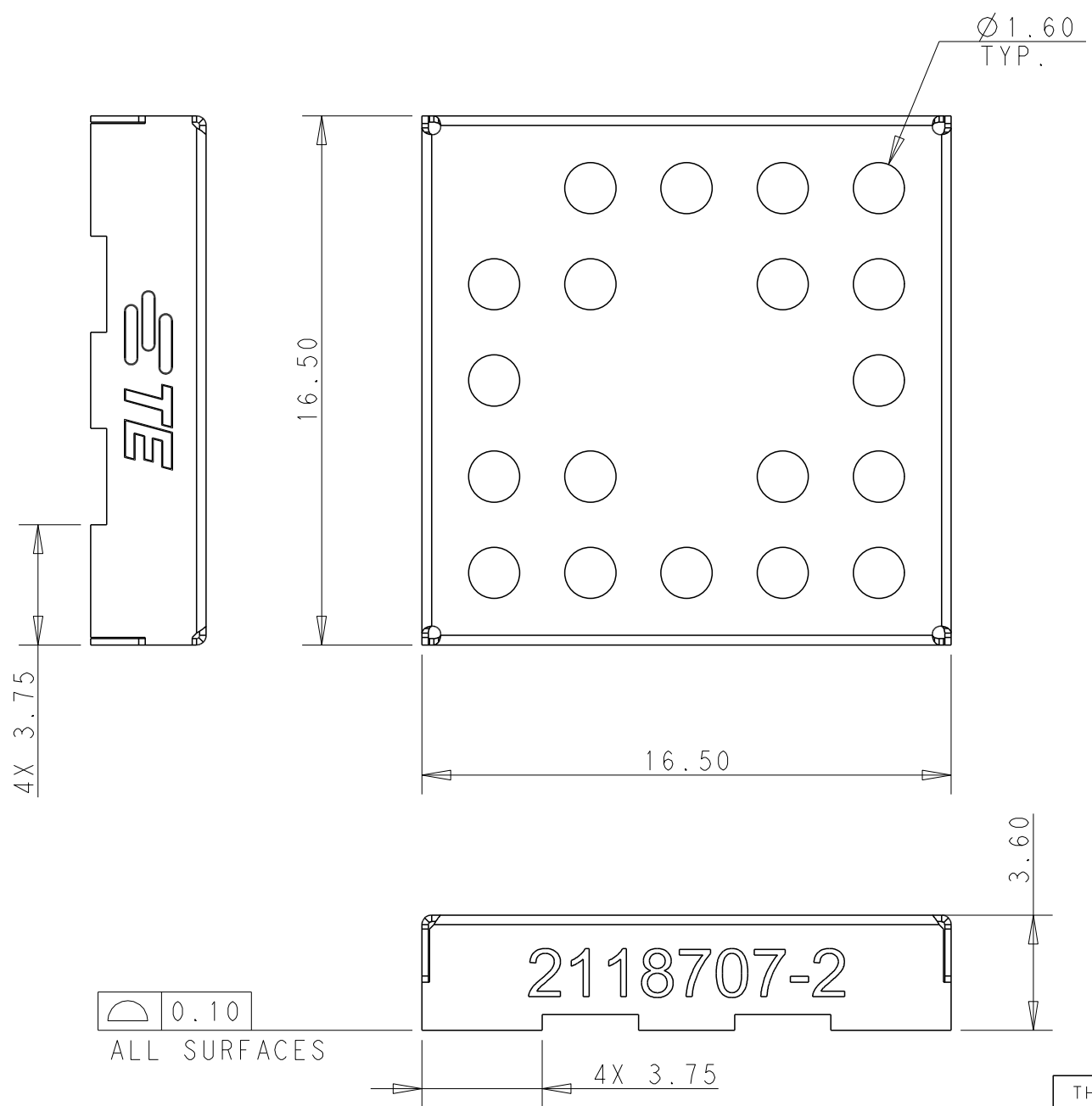


THIS DRAWING IS UNPUBLISHED. RELEASED FOR PUBLICATION 20
 © COPYRIGHT 20 BY - ALL RIGHTS RESERVED.

REVISIONS					
P	LTR	DESCRIPTION	DATE	DWN	APVD
3		REMOVED CORNER HOLE	01SEP2016	VL	SS
A		DRAWING RELEASED	21APR2017	VL	SS
A1		REVISED PER ECO-17-007644	26MAY2017	VL	SS
A2		REVISED PER ECO-17-013857	20SEP2017	SS	HL



NOTES:

- 1 MATERIAL: 0.20mm CRS. 1,25 - 3.00 μ m MATTE TIN FINISH.
- 2 MATERIAL: 0.20mm AL. 1.20 - 2.00 μ m MATTE TIN FINISH OVER NICKEL FLASH.
- 3 STAMPING BURR OUTSIDE OF PART, MAX 0.05mm.
- 4 PARTS TO BE FREE OF OIL AND CONTAMINENTS.
- 5 PART IS RoHS COMPLIANT PER TE CONNECTIVITY STANDARD TEC-138-702.
- 6 REFER TO 3D MODEL FOR UNSPECIFIED DIMENSIONS.
- 7 PACKAGING: TAPE AND REEL

$\triangle 7$	$\triangle 2$	2118707-4
$\triangle 7$	$\triangle 1$	2118707-2
PACKAGING	MATERIAL	PART NUMBER

THIS DRAWING IS A CONTROLLED DOCUMENT.		DWN V. LAC 07APR2016	STE TE Connectivity	
DIMENSIONS: mm		CHK S. SU 21APR2017		
TOLERANCES UNLESS OTHERWISE SPECIFIED:		APVD V. LAC 21APR2017	NAME 1 PIECE STANDARD SHIELD	
0 PLC ± 0.20		PRODUCT SPEC 108-115119	SIZE A3	
1 PLC ± 0.15		APPLICATION SPEC 114-115013	CAGE CODE -	DRAWING NO C-2118707
2 PLC ± 0.10		WEIGHT -	RESTRICTED TO -	
3 PLC \pm		CUSTOMER DRAWING	SCALE 5:1	SHEET 1 OF 3
4 PLC \pm				REV A2
ANGLES ± 2				
FINISH SEE TABLE				
MATERIAL SEE TABLE				

THIS DRAWING IS UNPUBLISHED.

RELEASED FOR PUBLICATION

20

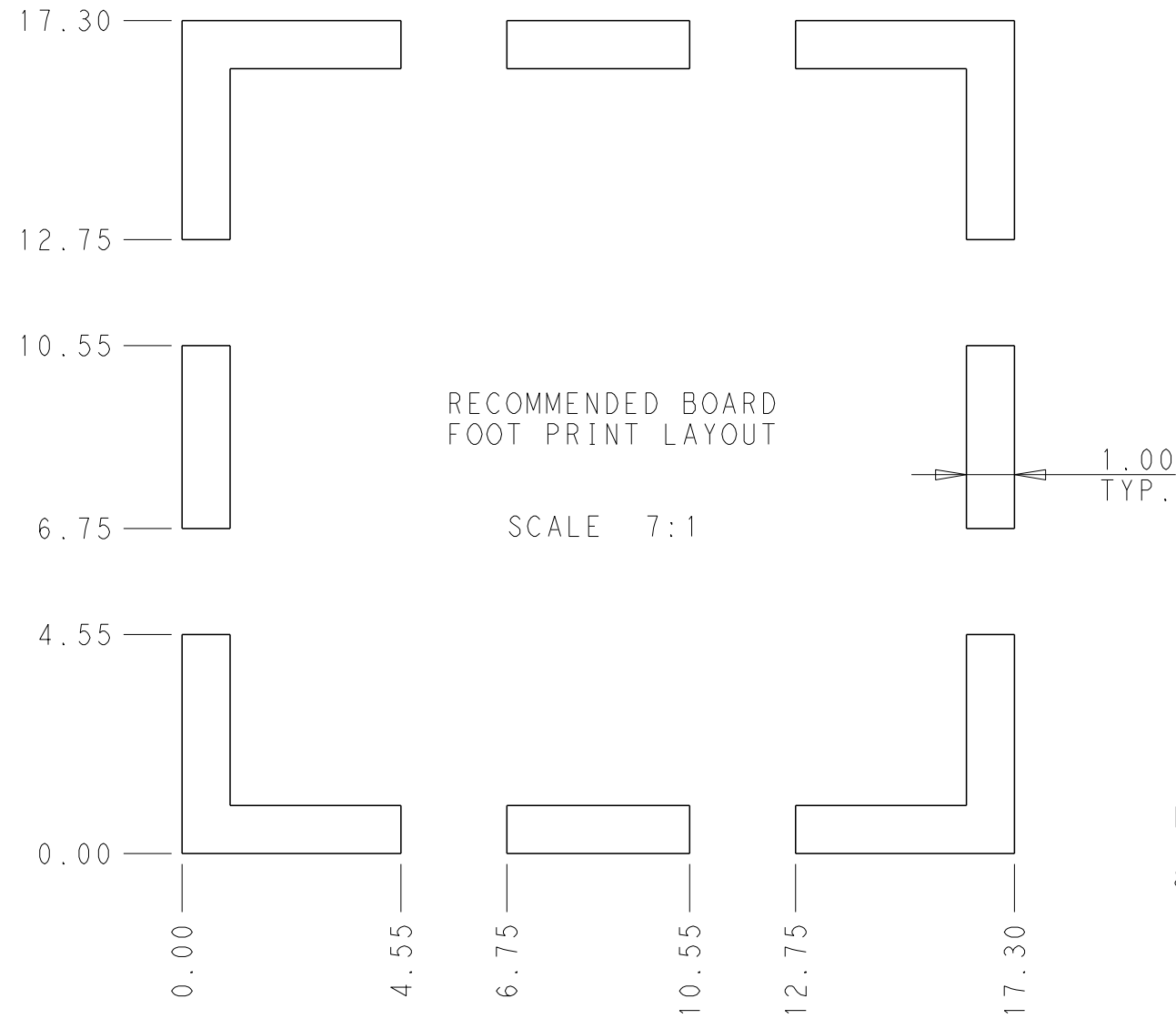
© COPYRIGHT 20

BY -

ALL RIGHTS RESERVED.

REVISIONS

P	LTR	DESCRIPTION	DATE	DWN	APVD
-	-	SEE SHEET 1	-	-	-

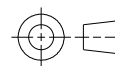


NOTES:

8. STENCIL THICKNESS: 0.10mm MIN.

THIS DRAWING IS A CONTROLLED DOCUMENT.

DIMENSIONS:
mm



TOLERANCES UNLESS OTHERWISE SPECIFIED:

- 0 PLC ±0.20
- 1 PLC ±0.15
- 2 PLC ±0.10
- 3 PLC ±
- 4 PLC ±
- ANGLES ±2

MATERIAL
SEE TABLE

FINISH
SEE TABLE

DWN V. LAC 07APR2016

CHK S. SU 21APR2017

APVD V. LAC 21APR2017

PRODUCT SPEC
108-115119

APPLICATION SPEC
114-115013

WEIGHT -

CUSTOMER DRAWING



TE Connectivity

NAME
1 PIECE STANDARD SHIELD

SIZE CAGE CODE DRAWING NO RESTRICTED TO

A3 - C-2118707

SCALE 5:1 SHEET 2 OF 3 REV A2

THIS DRAWING IS UNPUBLISHED.

RELEASED FOR PUBLICATION

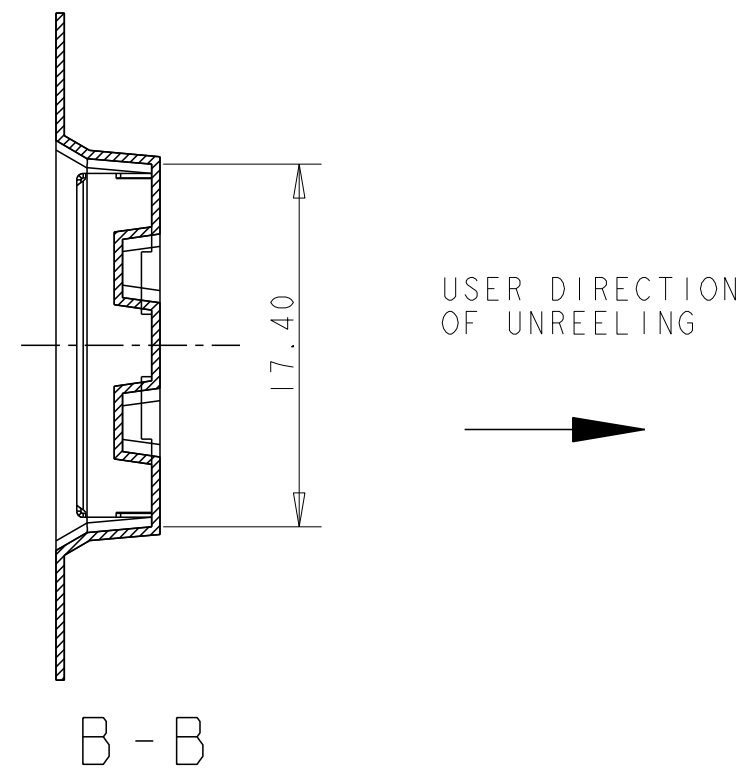
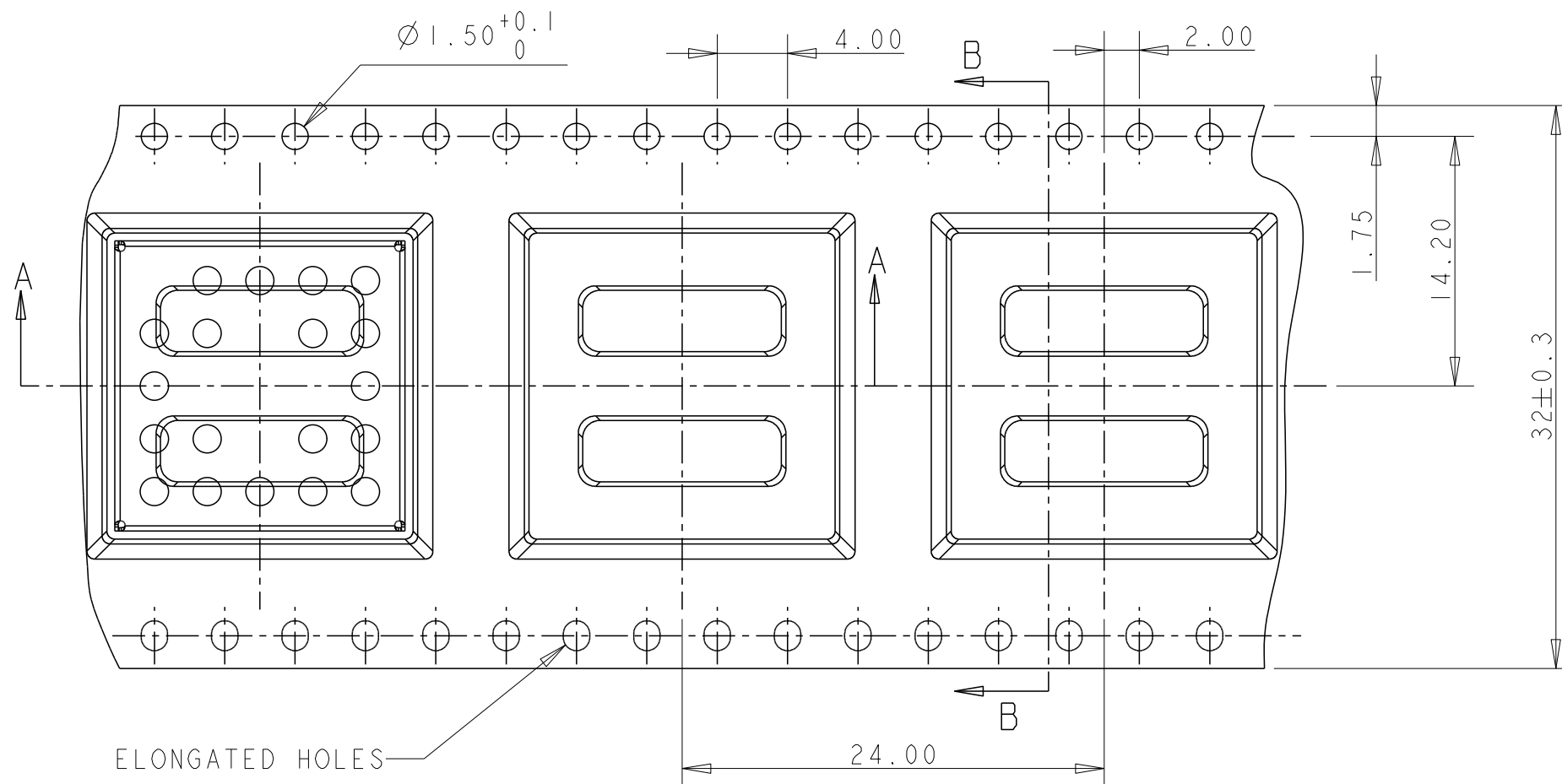
20

© COPYRIGHT 20 BY -

ALL RIGHTS RESERVED.

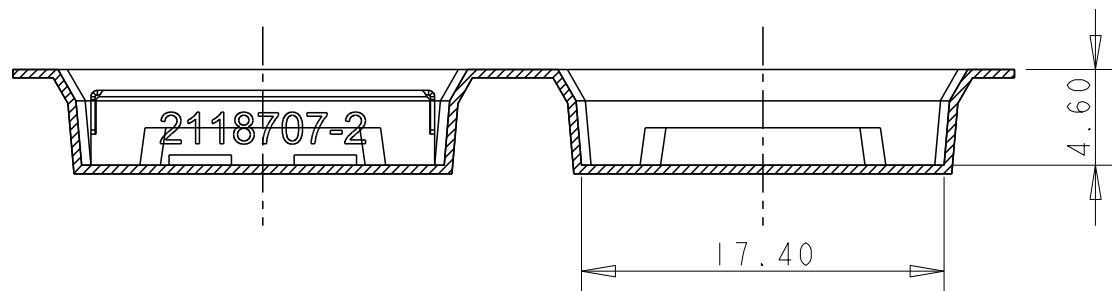
REVISIONS

P	LTR	DESCRIPTION	DATE	DWN	APVD
-	-	SEE SHEET 1	-	-	-



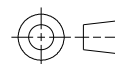
NOTES:

- 9. REEL SIZE: O.D. 330mm, I.D. 100mm
- 10. QTY PER REEL: 550PCS



THIS DRAWING IS A CONTROLLED DOCUMENT.

DIMENSIONS: mm



TOLERANCES UNLESS OTHERWISE SPECIFIED:

0 PLC	±0.20
1 PLC	±0.15
2 PLC	±0.10
3 PLC	±
4 PLC	±
ANGLES	±2

MATERIAL SEE TABLE

FINISH SEE TABLE

DWN V. LAC 07APR2016

CHK S. SU 21APR2017

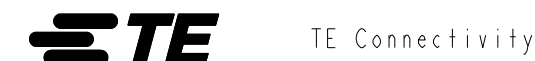
APVD V. LAC 21APR2017

PRODUCT SPEC 108-115119

APPLICATION SPEC 114-115013

WEIGHT -

CUSTOMER DRAWING



NAME 1 PIECE STANDARD SHIELD

SIZE A3	CAGE CODE -	DRAWING NO. C-2118707	RESTRICTED TO -
---------	-------------	-----------------------	-----------------

SCALE 5:1	SHEET 3 OF 3	REV A2
-----------	--------------	--------

单击下面可查看定价，库存，交付和生命周期等信息

[>>TE Connectivity\(泰科\)](#)