

4

3

2

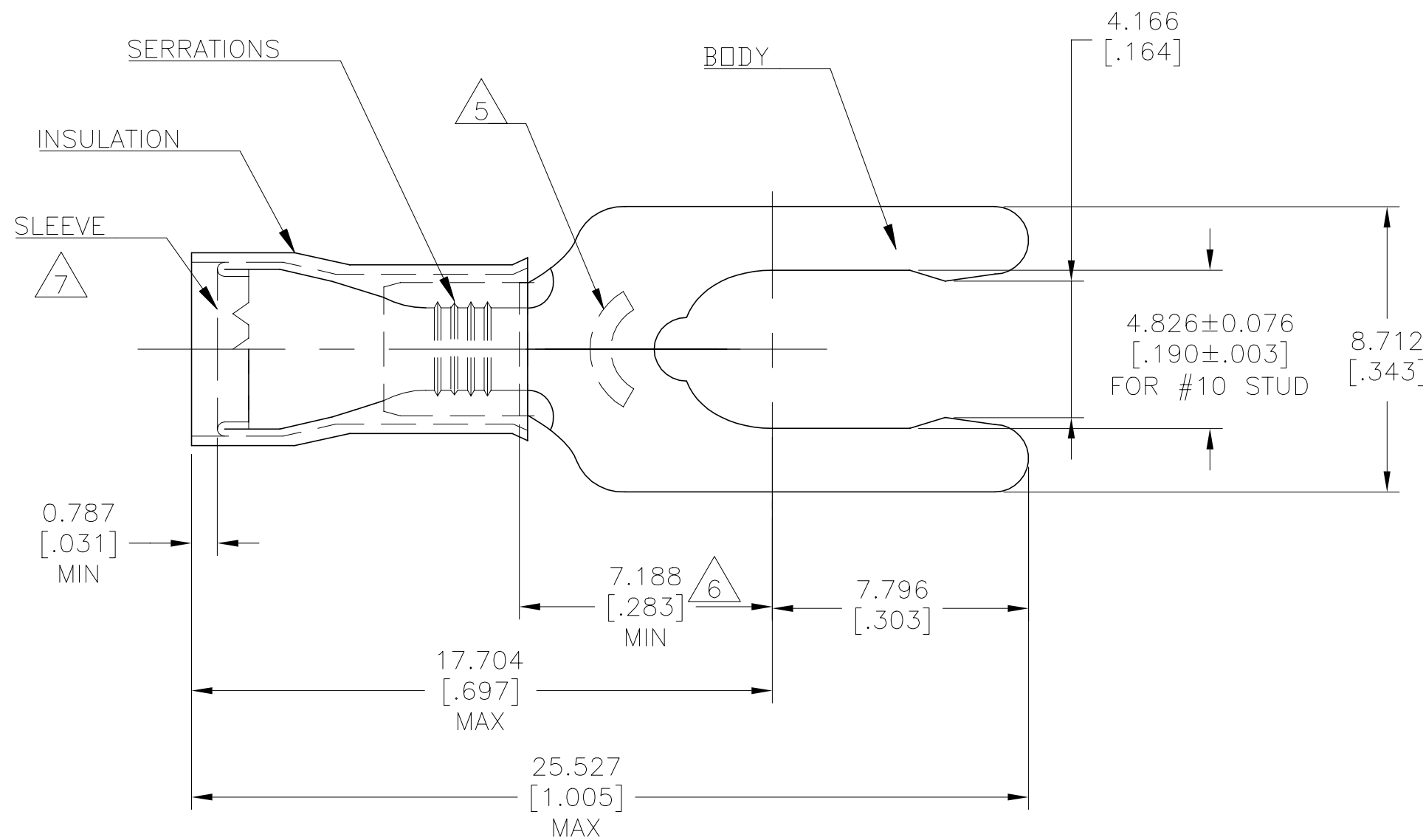
1

© - TE Connectivity. All Rights Reserved.

REVISIONS

| P | LTR | DESCRIPTION | DATE | DWN | APVD |
|----|-----|---------------------------|-----------|-----|------|
| J1 | | REDRAWN PER ECR 10-010105 | 28JUN10 | JR | TM |
| J2 | | REVISED PER ECO-20-010511 | 28JUL2020 | SG | DR |

| | |
|--------------------------------|--------------------------------|
| E13288 Listed | LR7189 Certified |
| 16-14 AWG SOLID OR STRANDED | 16-14 AWG SOLID OR STRANDED |



- 1 WIRE INSULATION DIA, SEE TABLE "A"
- 2 BODY MATL THK, 0.789±0.051[.031±.002].
- 3 MATERIAL:
BODY - PHOS BRONZE PER ASTM B103
INSULATION: NYLON PER ASTM D4066
SLEEVE: COPPER PER ASTM B152
- 4 FINISH: BODY & SLEEVE - TIN PLATE
0.00254[.000100] MIN EXT THK PER ASTM B545
INSULATION COLOR - BLUE
- 5 STAMP 10S AMP 16 - 14* APPROX AS SHOWN
- 6 APPLIES FROM EDGE OF METAL WIRE BARREL TO
CENTER OF STUD HOLE
- 7 INTERNAL EDGE FEATURE MAY BE SOLID OR
SCALLOPED

| | | | |
|----------------------------|------|--------------|---------|
| 2.921-2.972 [.115-.170] | 5000 | ON TAPE | 52422-3 |
| 2.921-2.972 [.115-.170] | 1000 | LOOSE PIECE | 52422-1 |
| DIM "A" | QTY | PACKAGE TYPE | PART NO |

AMP INCORPORATED
CUSTOMER SERVICE SYSTEMS

| | |
|---|--|
| FOR ADDITIONAL PRODUCT INFORMATION OR COPIES OF DRAWINGS AND TECHNICAL DOCUMENTS | PRODUCT INFORMATION CENTER 1-800-522-6752 |
| FOR APPLICATION TOOLING INFORMATION | TOOLING ASSISTANCE CENTER 1-800-722-1111 |
| FOR ORDER ENTRY | 1-800-526-5142 |

| |
|---|
| MAX RECOMMENDED OPERATING TEMPERATURE: 105C [221°F] MAX |
| VOLTAGE RATING: 300 VOLT MAX |
| WIRE CROSS SECTIONAL AREA RANGE, 1.02-2.62mm ² [2,050-5,180] SOLID OR STRANDED |

THIS DRAWING IS A CONTROLLED DOCUMENT.

DIMENSIONS:
MMmm [INCHES]

TOLERANCES UNLESS
OTHERWISE SPECIFIED:

0 PLC ± -
1 PLC ± -
2 PLC ± 0.127 [.008]
3 PLC ± -
4 PLC ± -
ANGLES ± 5°
FINISH

MATERIAL

FINISH

| | |
|------------------|-----------------|
| DWN | 28JUN10 |
| CHK | jr ruth |
| APVD | 14MAY10 |
| PRODUCT SPEC | TOM MICHIELUTTI |
| APPLICATION SPEC | TOM MICHIELUTTI |
| WEIGHT | UL486 A-B |
| | 114-2157 |
| CUSTOMER DRAWING | |

TE Connectivity

NAME
TERMINAL, PIDG, SPRING SPADE,
WIRE SIZE: 16-14 AWG

| | | | |
|------|-----------|------------|---------------|
| SIZE | CAGE CODE | DRAWING NO | RESTRICTED TO |
| A3 | 00779 | C-52422 | - |

SCALE 6:1 SHEET 1 OF 1 REV J2

单击下面可查看定价，库存，交付和生命周期等信息

[>>TE Connectivity\(泰科\)](#)