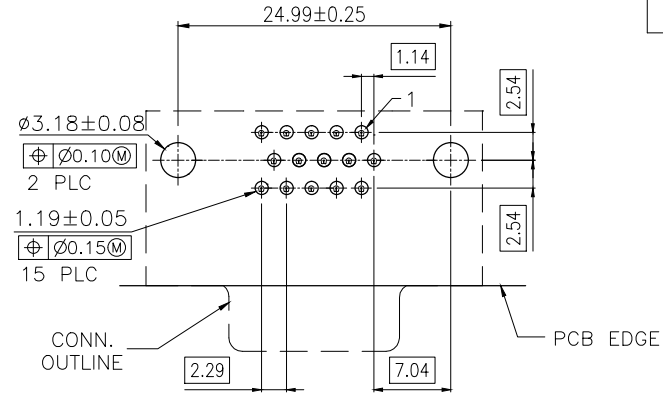
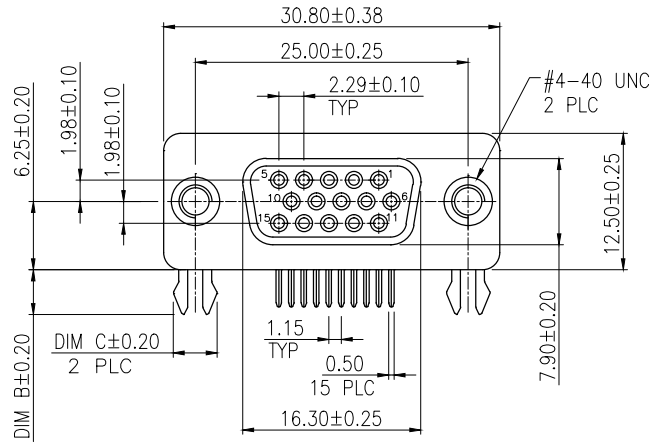


THIS DRAWING IS UNPUBLISHED.
 RELEASED FOR PUBLICATION
 ALL RIGHTS RESERVED.

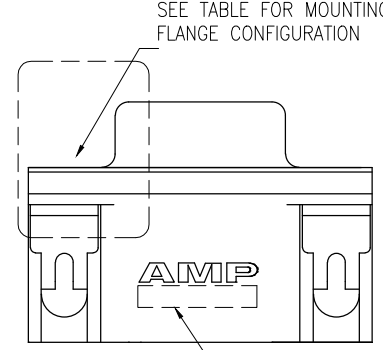
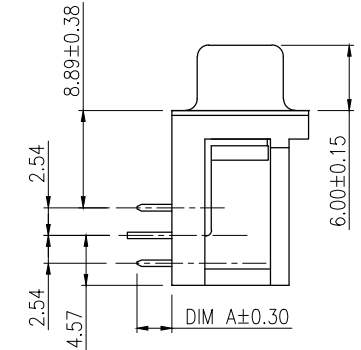
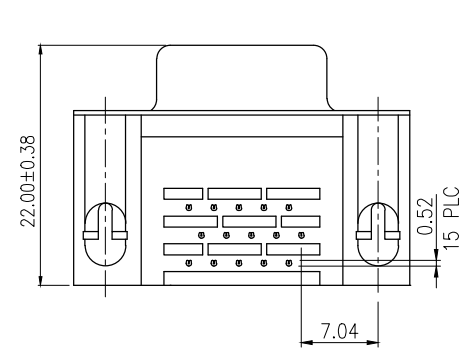
LOC DW
 DIST

REVISIONS			DATE	DWN	APVD
P	LTR	DESCRIPTION			
B3		REVISED (ECR-14-000726)	30APR14	S.C	H.L

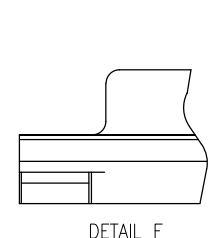
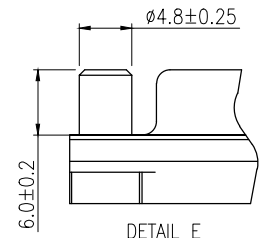
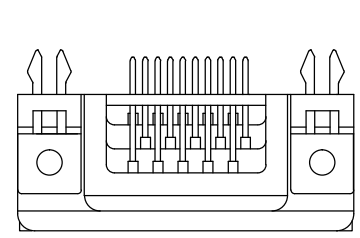


RECOMMENDED P.C. BOARD LAYOUT
 <TOP VIEW>

- NOTES:
- MATERIAL:
 - HOUSING: THERMOPLASTIC(NY9T), UL 94V-0 RATED,BLACK
 - CONTACTS: PHOPHOR BRONZE
 - SHELL: SPPC
 - BOARDLOCKS: BRASS
 - RIVET: BRASS
 - SCREWLOCK: BRASS
 - FINISH:
 - CONTACT:
 - GOLD PLATING ON CONTACT AREA. (SEE TABLE)
 - 2.54µm[100µ"] MIN. MATTE TIN PLATING ON SOLDER TAIL AREA,
 - 1.27µm[50µ"] MIN. NICKEL UNDERPLATING OVERALL,
 - BOARDLOCK:
 - 2.54µm[100µ"] MIN MATTE TIN PLATING
 - 1.27µm[50µ"] MIN NICKEL UNDERPLATING OVERALL,
 - SHELL: NICKEL PLATED
 - RIVET: NICKEL PLATING 0.76µm[30µ"] OVERALL.
 - FIXED SCREWLOCK: NICKEL PLATING 0.76µm[30µ"]. MEETS 6 IN-LB TORQUE.
 - RECOMMENDED PCB THICKNESS: 1.6 mm
 - REFLOW SOLDER CAPABLE TO 260°C PER TE CONNECTIVITY SPEC. 109-201, CONDITION B.
 - NET WEIGHT: 10.24 g/pcs. (WITH SCREWLOCK) 8.24 g/pcs. (W/O SCREWLOCK)
- ⚠ BOARDLOCK INSERTION FORCE: 1.5±0.5 Kgf [15±5 N]. FOR 5-1734530-3 & 6-1734530-3 ONLY.



SEE TABLE FOR MOUNTING FLANGE CONFIGURATION

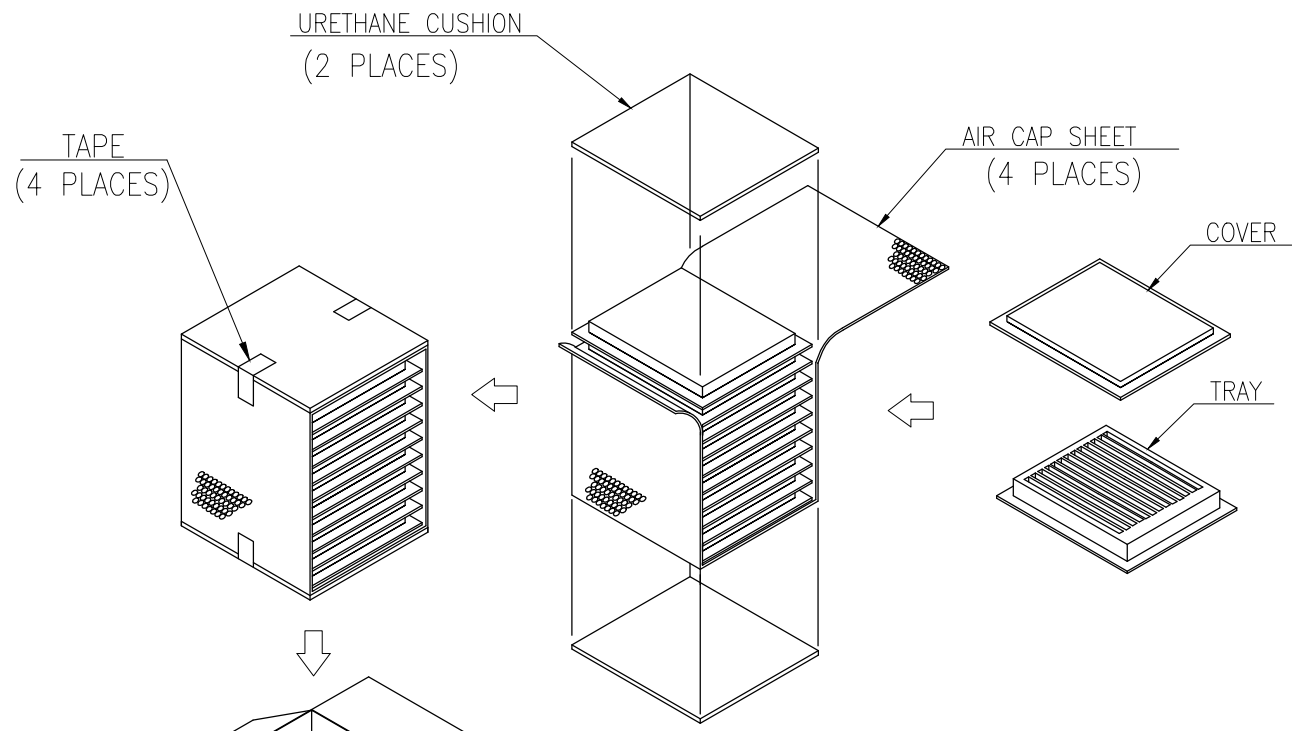


OBSELETE	TAPE&REEL	DETAIL E	W/	3.78	3.20	3.18	30 µ"	5-1734530-3
	TUBE	DETAIL F	W/	4.00	4.10	3.18	30 µ"	2-1734530-3
	TRAY	DETAIL F	W/	4.00	4.10	3.18	30 µ"	1-1734530-3
	TRAY	DETAIL F	W/	4.00	4.10	3.18	G/F	1-1734530-1
	TRAY	DETAIL E	W/	4.00	4.10	3.18	30 µ"	1734530-3
	TAPE&REEL	DETAIL F	W/	3.78	3.20	3.18	30 µ"	6-1734530-3
	TRAY	DETAIL F	W/O	4.00	4.10	3.18	30 µ"	3-1734530-3
	TUBE	DETAIL F	W/	4.00	4.10	3.18	15 µ"	2-1734530-2
	TUBE	DETAIL F	W/	4.00	4.10	3.18	G/F	2-1734530-1
	TRAY	DETAIL F	W/	4.00	4.10	2.16	30 µ"	1-1734530-6
	TRAY	DETAIL F	W/	4.00	4.10	2.16	15 µ"	1-1734530-5
	TRAY	DETAIL F	W/	4.00	4.10	2.16	G/F	1-1734530-4
	TRAY	DETAIL F	W/	4.00	4.10	3.18	15 µ"	1-1734530-2
	TRAY	DETAIL E	W/	4.00	4.10	2.16	30 µ"	1734530-6
	TRAY	DETAIL E	W/	4.00	4.10	2.16	15 µ"	1734530-5
	TRAY	DETAIL E	W/	4.00	4.10	2.16	G/F	1734530-4
	TRAY	DETAIL E	W/	4.00	4.10	3.18	15 µ"	1734530-2
	TRAY	DETAIL E	W/	4.00	4.10	3.18	G/F	1734530-1

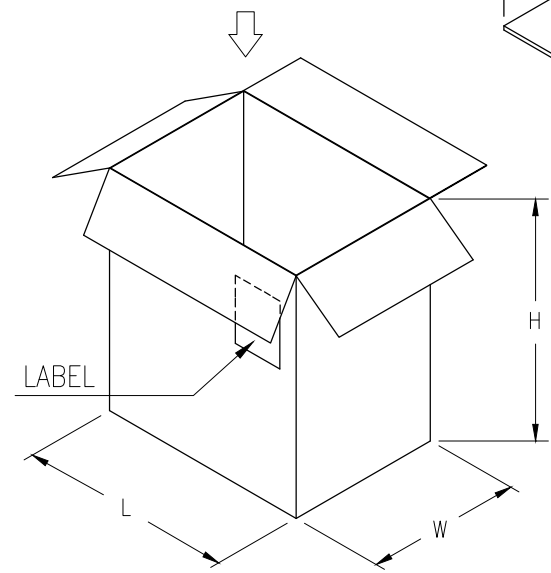
THIS DRAWING IS A CONTROLLED DOCUMENT.		DWN J. LEE 22MAR2007	STE TE Connectivity		
DIMENSIONS: MM		CHK S. HOU 22MAR2007			
TOLERANCES UNLESS OTHERWISE SPECIFIED:		APVD W.J. KE 22MAR2007	NAME		
0 PLC ± -		PRODUCT SPEC 108-57541	RECEPTACLE ASSY, SIZE 1, 15 POSITION, RIGHT ANGLE, THROUGH HOLE		
1 PLC ± 0.38		QUALIFICATION TEST REPORT 501-57623	SIZE	CAGE CODE	DRAWING NO
2 PLC ± 0.25		WEIGHT SEE NOTE	A3	00779	C=1734530
3 PLC ± 0.15		CUSTOMER DRAWING	RESTRICTED TO		
4 PLC ± -		SCALE	SHEET 1 of 4		
ANGLES ± -		REV B3			
MATERIAL SEE NOTE					
FINISH SEE NOTE					

THIS DRAWING IS UNPUBLISHED. RELEASED FOR PUBLICATION
 © COPYRIGHT - BY - ALL RIGHTS RESERVED.

LOC	DIST	REVISIONS					
DW		P	LTR	DESCRIPTION	DATE	DWN	APVD
		SEE SHEET 1.					



- NOTES:
- MATERIAL:
 - 1.1 TRAY: PVC
 - 1.2 SHIPPING CARTON: CORRUGATED FIBERBOARD
 - DIMENSION:
 - 2.1 TRAY: L=320, W=230, H=18.9
 - 2.2 SHIPPING CARTON: L=361, W=245, H=272
 - QUANTITY:
 - 3.1 PRIMARY PACKING: 100 PCS/TRAY
 - 3.2 SECONDARY PACKING: 10 TRAY/CARTON(1000PCS)
 - CARTON WEIGHT:
 - 4.1 NET WEIGHT: 10.24 Kg (W/SCREWLOCK)
 - 4.2 GROSS WEIGHT: 11.24 Kg (W/SCREWLOCK)
 - 4.3 NET WEIGHT: 8.24 Kg (W/O SCREWLOCK)
 - 4.4 GROSS WEIGHT: 9.24 Kg (W/O SCREWLOCK)



THIS DRAWING IS A CONTROLLED DOCUMENT.		DWN	TE Connectivity		
DIMENSIONS: MM		CHK	NAME		
TOLERANCES UNLESS OTHERWISE SPECIFIED:		APVD	RECEPTACLE ASSY, SIZE 1, 15 POSITION, RIGHT ANGLE, THROUGH HOLE		
0 PLC ± -		PRODUCT SPEC	SIZE	CAGE CODE	DRAWING NO
1 PLC ± -		APPLICATION SPEC	A3	00779	C=1734530
2 PLC ± -		WEIGHT	RESTRICTED TO		
3 PLC ± -		CUSTOMER DRAWING	SCALE		
4 PLC ± -			SHEET 2 of 4		
ANGLES ± -			REV B3		
FINISH					

THIS DRAWING IS UNPUBLISHED. RELEASED FOR PUBLICATION
 © COPYRIGHT BY ALL RIGHTS RESERVED.

LOC	DIST	REVISIONS					
DW		P	LTR	DESCRIPTION	DATE	DWN	APVD
				SEE SHEET 1.			

D

D

C

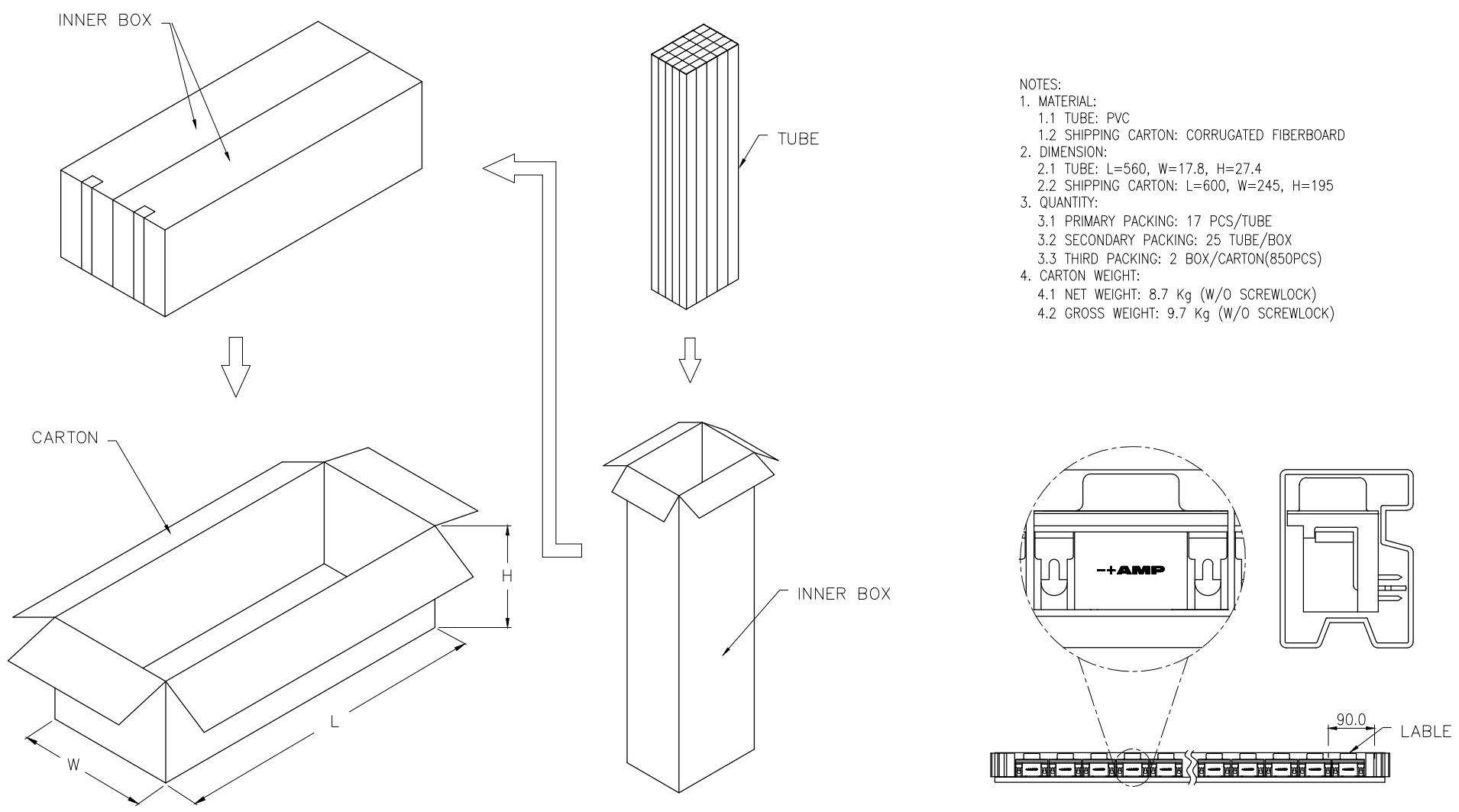
C

B

B

A

A



- NOTES:
- MATERIAL:
 - TUBE: PVC
 - SHIPPING CARTON: CORRUGATED FIBERBOARD
 - DIMENSION:
 - TUBE: L=560, W=17.8, H=27.4
 - SHIPPING CARTON: L=600, W=245, H=195
 - QUANTITY:
 - PRIMARY PACKING: 17 PCS/TUBE
 - SECONDARY PACKING: 25 TUBE/BOX
 - THIRD PACKING: 2 BOX/CARTON(850PCS)
 - CARTON WEIGHT:
 - NET WEIGHT: 8.7 Kg (W/O SCREWLOCK)
 - GROSS WEIGHT: 9.7 Kg (W/O SCREWLOCK)

THIS DRAWING IS A CONTROLLED DOCUMENT.		DWN				
DIMENSIONS: MM		CHK	NAME			
TOLERANCES UNLESS OTHERWISE SPECIFIED: 0 PLC ± - 1 PLC ± - 2 PLC ± - 3 PLC ± - 4 PLC ± - ANGLES ± -		APVD	RECEPTACLE ASSY, SIZE 1, 15 POSITION, RIGHT ANGLE, THROUGH HOLE			
MATERIAL		PRODUCT SPEC	SIZE	CAGE CODE	DRAWING NO	RESTRICTED TO
FINISH		APPLICATION SPEC	A3	00779	C=1734530	
		WEIGHT	CUSTOMER DRAWING		SCALE	SHEET 3 of 4
						REV B3

THIS DRAWING IS UNPUBLISHED.

RELEASED FOR PUBLICATION

© COPYRIGHT BY

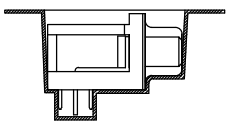
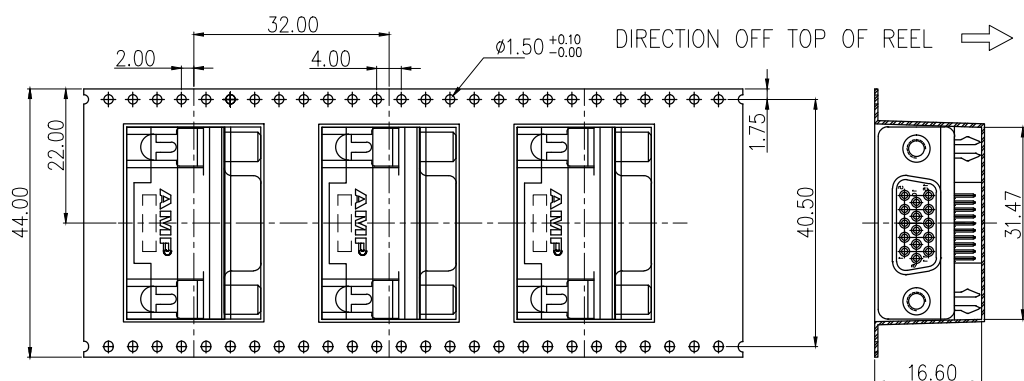
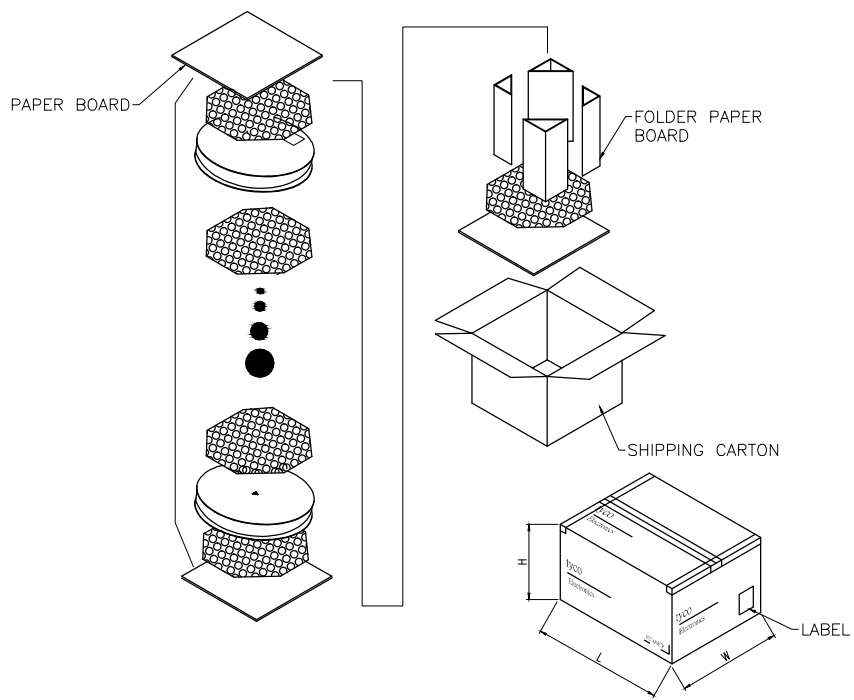
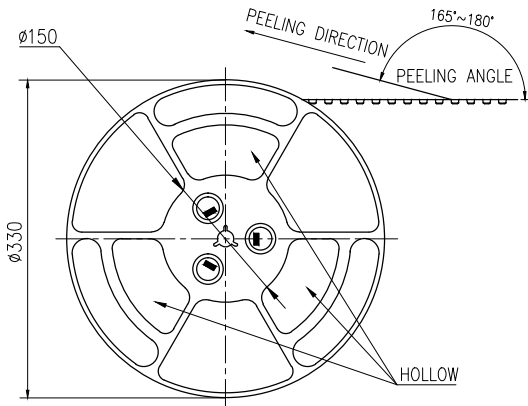
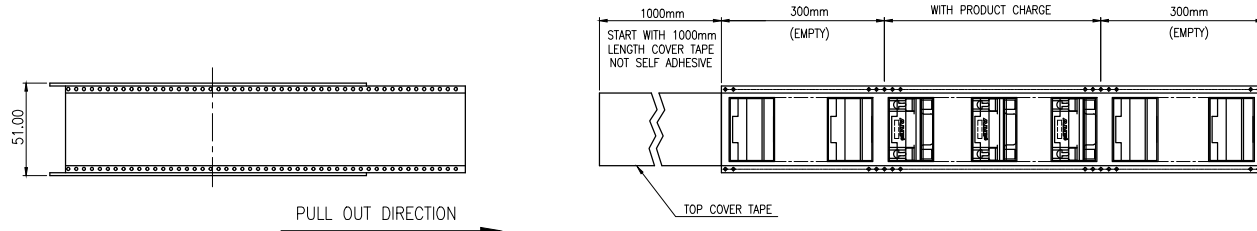
ALL RIGHTS RESERVED.

LOC DW

DIST

REVISIONS

P	LTR	DESCRIPTION	DATE	DWN	APVD
		SEE SHEET 1.			



PRODUCT TYPE	PCS/REEL	REEL/CARTON	TOTAL(PCS)	CTN SIZE (CM)	NW(Kg)	GW(Kg)
D-SUB H/D 15P	100	6	600	360X360X350	5.4	5.9

THIS DRAWING IS A CONTROLLED DOCUMENT.

DWN	-	TE Connectivity			
CHK	-				
APVD	-				
PRODUCT SPEC	-				
APPLICATION SPEC	-	RECEPTACLE ASSY, SIZE 1, 15 POSITION, RIGHT ANGLE, THROUGH HOLE			
WEIGHT	-	SIZE	CAGE CODE	DRAWING NO	RESTRICTED TO
CUSTOMER DRAWING	-	A3	00779	C=1734530	-
MATERIAL		FINISH		SCALE	SHEET
				-	4 of 4
DIMENSIONS: MM		TOLERANCES UNLESS OTHERWISE SPECIFIED:		REV	
0 PLC ± - 1 PLC ± - 2 PLC ± - 3 PLC ± - 4 PLC ± - ANGLES ± -				B3	

单击下面可查看定价，库存，交付和生命周期等信息

[>>TE Connectivity\(泰科\)](#)