

DRAWING MADE IN THIRD ANGLE PROJECTION

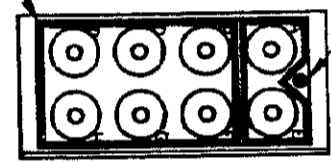
THIS DRAWING IS UNPUBLISHED. RELEASED FOR PUBLICATION, 19

© COPYRIGHT 19 BY AMP INCORPORATED. ALL INTERNATIONAL RIGHTS RESERVED

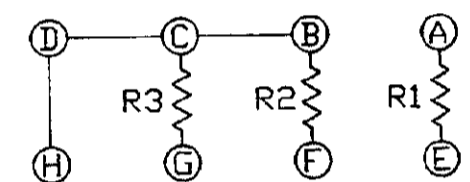
LDC		DIST		REVISIONS		
P	F	ZONE	LTR	DESCRIPTION	DATE	APPROVED
			0	RELEASE OF NEW PRODUCT	12/92	J.L.M.
			A	CHANGE BUSSING ARRANGEMENT	02/93	J.L.M.

DESCRIPTION	MATERIAL	FINISH
GROMMET	100% FLUOROSILICONE	COLOR: BLUE
MODULE ASSEMBLY	EPOXY	COLOR: BLACK
CONTACT SOCKET	BERYLLIUM COPPER PER QQ-C-533	GOLD PLATE PER MIL-G-45204
CLIP CONTACT RETAINING	BERYLLIUM COPPER PER QQ-C-533 OR STAINLESS STEEL PER QQ-S-766	_____
RESISTOR	SEE SCHEMATIC DIAGRAM	_____

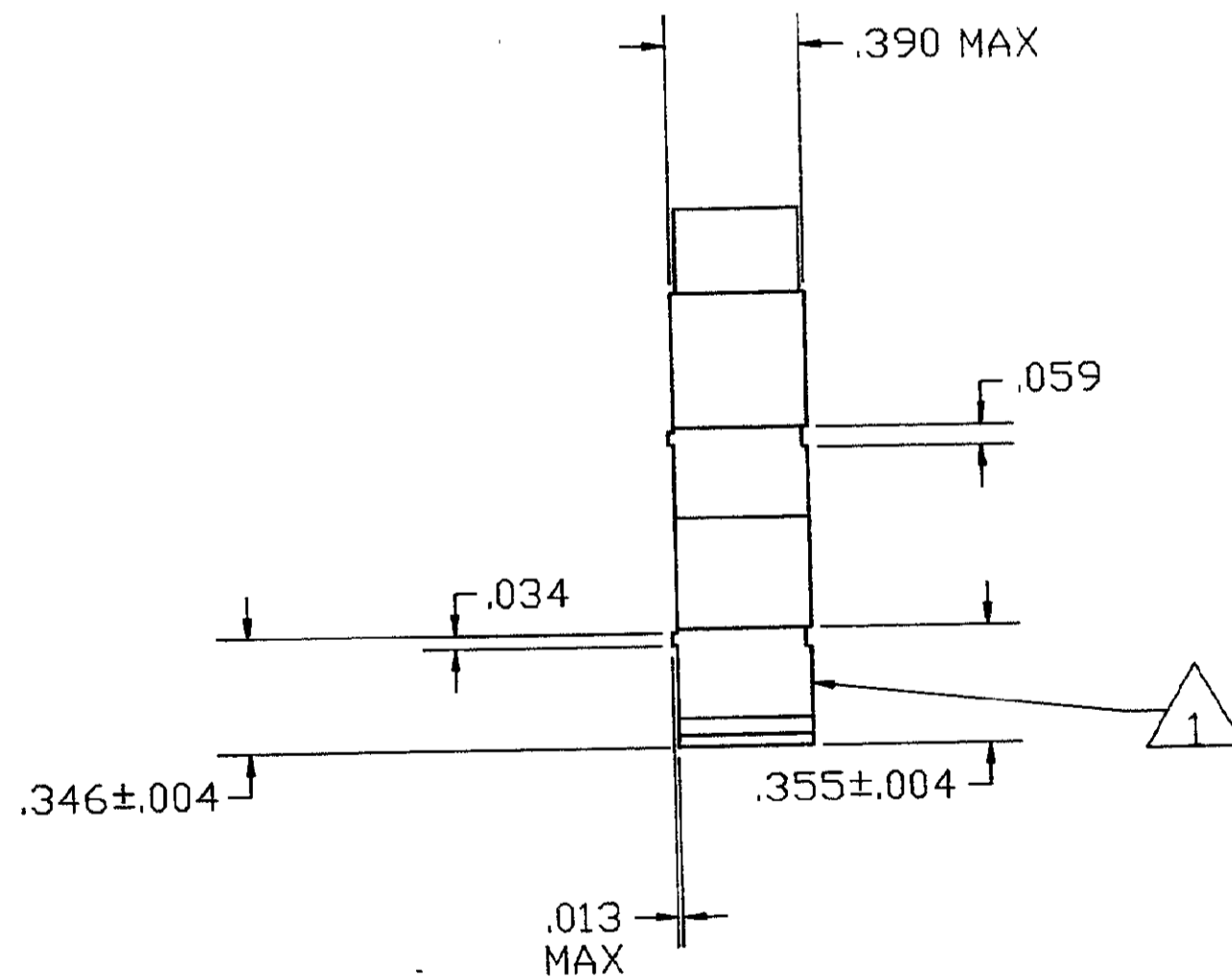
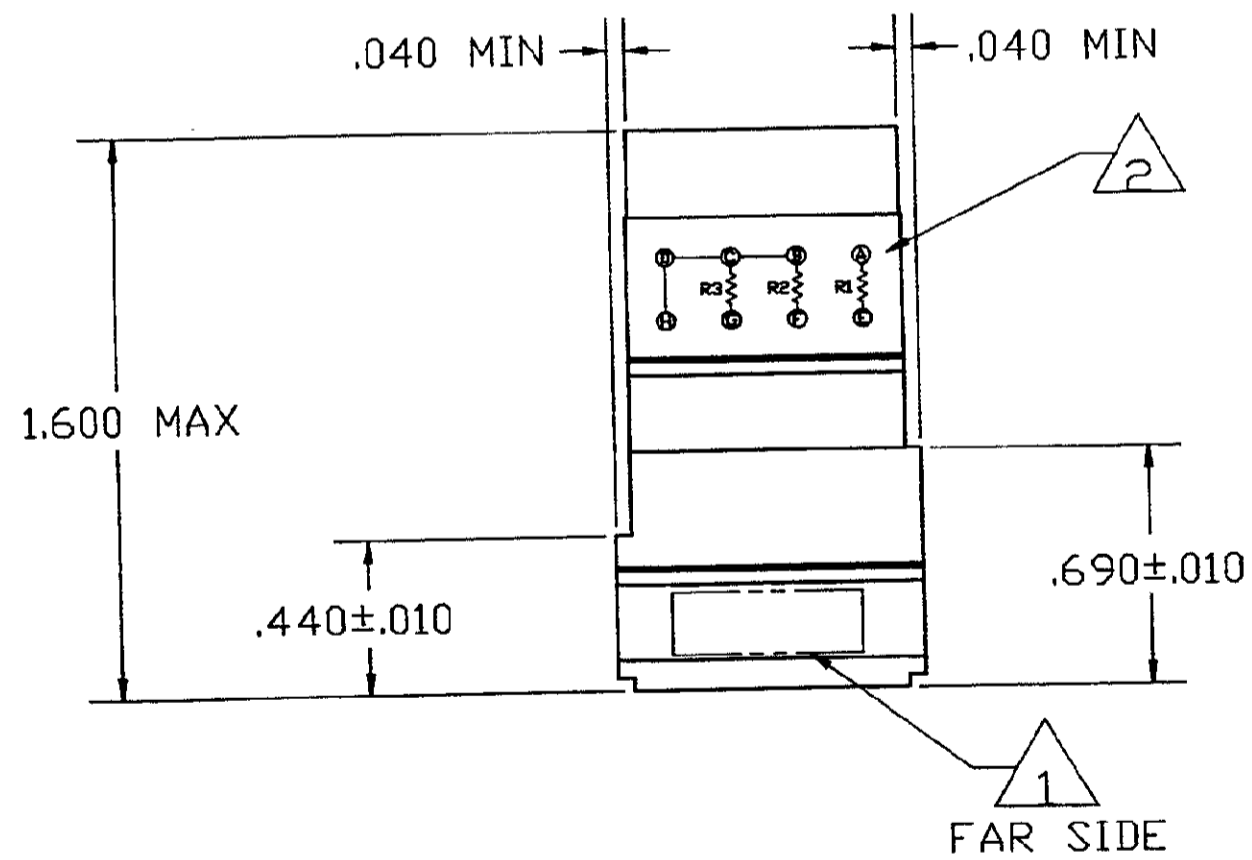
BUSSING ARRANGEMENT INDEXING INDICATOR



R1: 348 Ω, 1/8 WATT, ± 0.50%
RNC55H3480DS
R2 AND R3: 4020 Ω, 1/8 WATT, ± 1%
RNC55H4021FS



SCHEMATIC DIAGRAM



- MARK MODULE WITH SCHEMATIC DIAGRAM AT APPROXIMATE AREA SHOWN.
- MARK MODULE IDENTIFICATION, "AMP", AMP PART NO. AND DATE CODE .060 MINIMUM HIGH CHARACTERS AT APPROXIMATE AREA SHOWN.

THIS DRAWING IS A CONTROLLED DOCUMENT FOR AMP INCORPORATED. IT IS SUBJECT TO CHANGE AND THE CONTROLLING ENGINEERING ORGANIZATION SHOULD BE CONTACTED FOR THE LATEST REVISION.

DO NOT SCALE PRINT. UNLESS OTHERWISE SPECIFIED DIMENSIONS ARE IN INCHES. TOLERANCES ON: 2 PLC DEC ± _____ 3 PLC DEC ± .005 ANGLES ± _____		CONTRACT NO		AMP INCORPORATED Harrisburg, Pa. 17105	
MATERIAL _____		DR J. MECK 09-02-92		NAME MODULE, BLOCK FEED-BACK SIZE 16 ASSEMBLY	
FINISH _____		CHK R. RYAN 12-11-92			
		APPD R. RYAN 12-11-92		SIZE C	FSCM NO 00779
		APPD D. ENGLER 12-11-92		DRAWING NO 591908	
		DSGN APPD		SCALE 2 : 1	
		OTHER APPD		SHEET 1 OF 1	

CUSTOMER DRAWING

单击下面可查看定价，库存，交付和生命周期等信息

[>>TE Connectivity\(泰科\)](#)