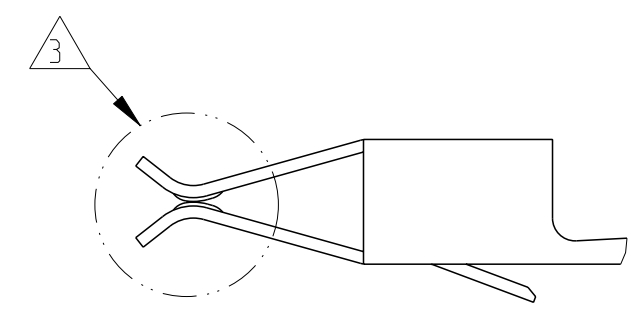
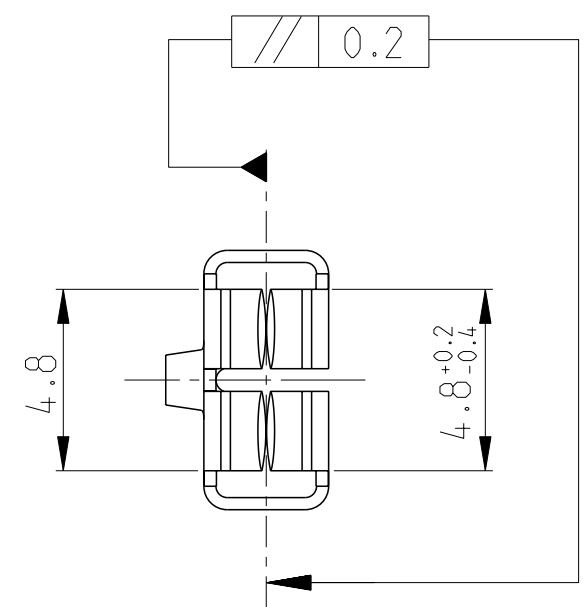
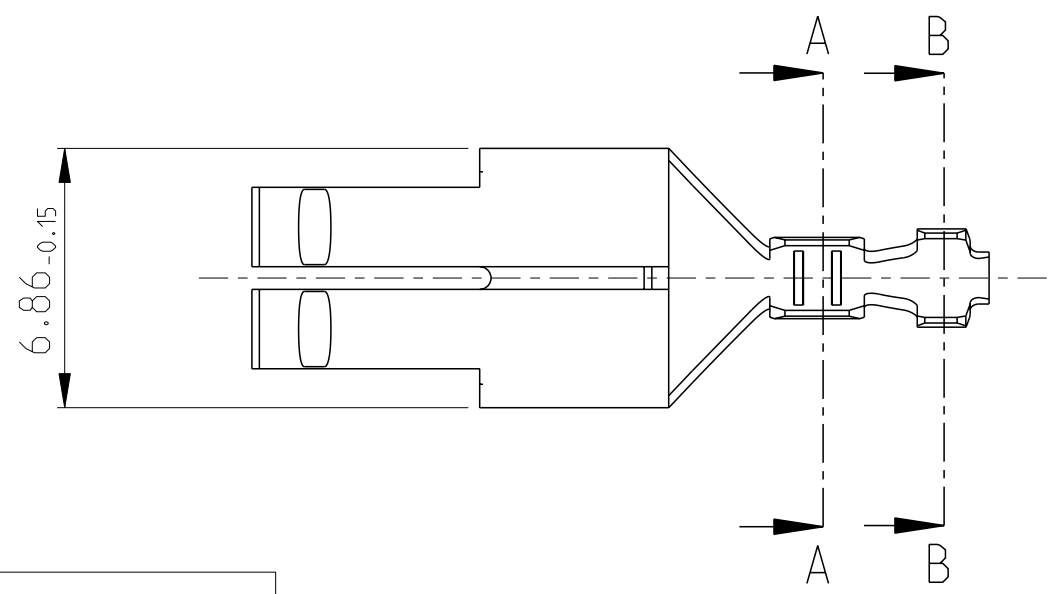
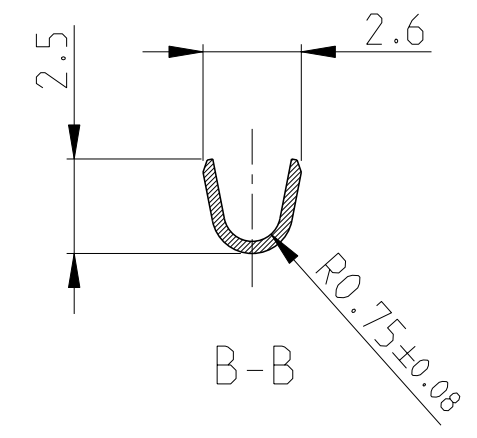
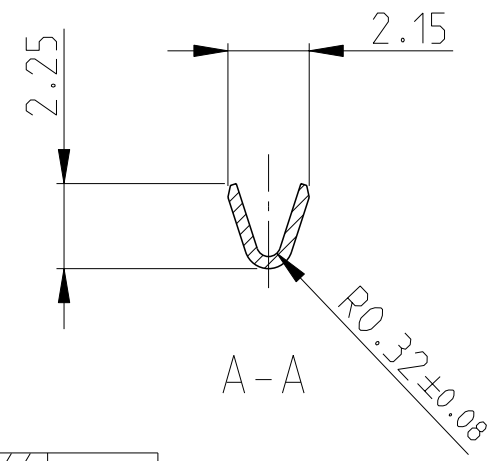
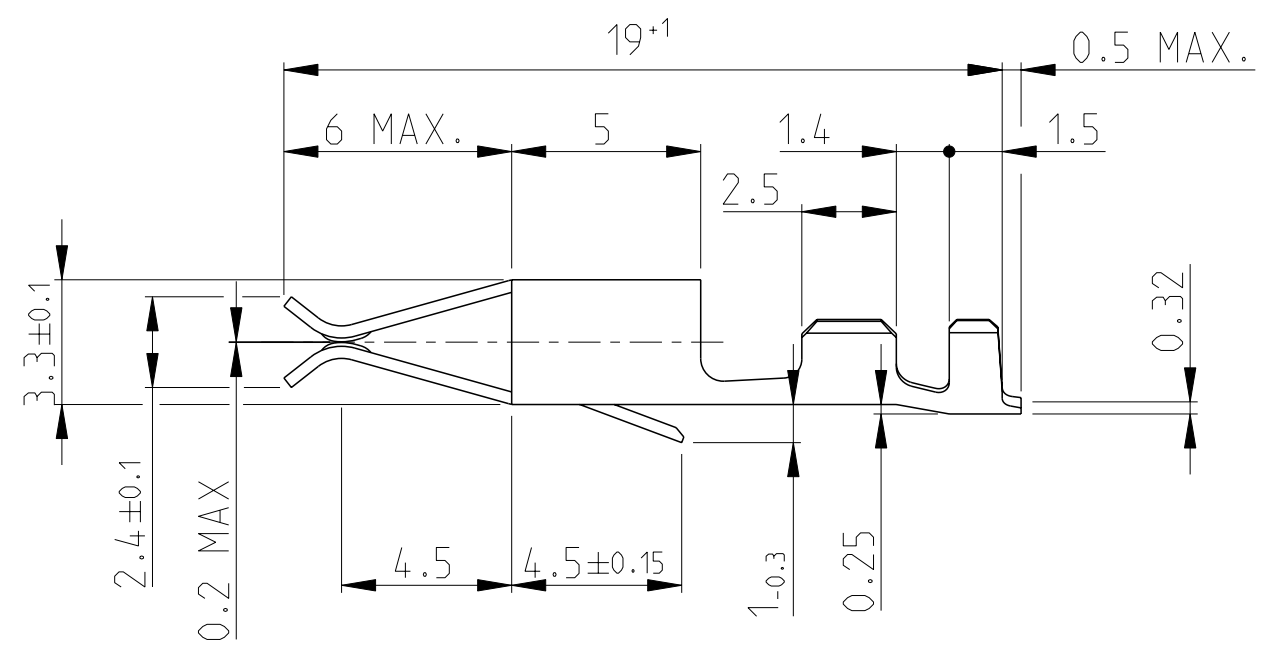


THIS DRAWING IS UNPUBLISHED. RELEASED FOR PUBLICATION 20
 © COPYRIGHT 20 BY - ALL RIGHTS RESERVED.

LOC	DIST	REVISIONS			
P	LTR	DESCRIPTION	DATE	DWN	APVD
AL	2	D2	REVISED PER ECR-20-100299	10AUG2020	BDA W W



CROSS-SECTION IN mm ²	
SINGLE CONNECTION	
0.20	X
0.25	X
0.35	X
0.50	X

NOTES

- 1 WIRE RANGE 0.2 - 0.5 mm²
- 2 INSULATION RANGE Ø1.0 - 1.6
- 3 SELECTIVE LUBRICATED IN INDICATED AREA WITH ANTI-FREETING LUBRICANT

LOOSE PIECE	FINISH	MATERIAL	PART NO.	REV.
	TIN (vorverzinnt)	CuZn30	3-1-926984-1	D
	TIN (vorverzinnt)	CuSn4	926984-2	D
	TIN (vorverzinnt)	CuZn30	926984-1	D

THIS DRAWING IS A CONTROLLED DOCUMENT.	
DIMENSIONS: mm	TOLERANCES UNLESS OTHERWISE SPECIFIED: ±0.2
MATERIAL -	FINISH -

DWN JS	10-Aug-20
CHK XP	10-Aug-20
APVD RS	10-Aug-20
PRODUCT SPEC	108-18054 (DES. OBJ.)
APPLICATION SPEC	114-18080
WEIGHT	-

STE TE Connectivity

NAME: STANDARD TIMER CONTACT

SIZE A3	CAGE CODE 00779	DRAWING NO. C-926984	RESTRICTED TO
---------	-----------------	----------------------	---------------

CUSTOMER DRAWING SCALE 5:1 SHEET 1 OF 1 REV D2

单击下面可查看定价，库存，交付和生命周期等信息

[>>TE Connectivity\(泰科\)](#)