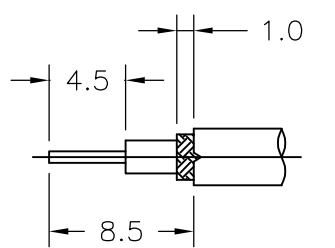
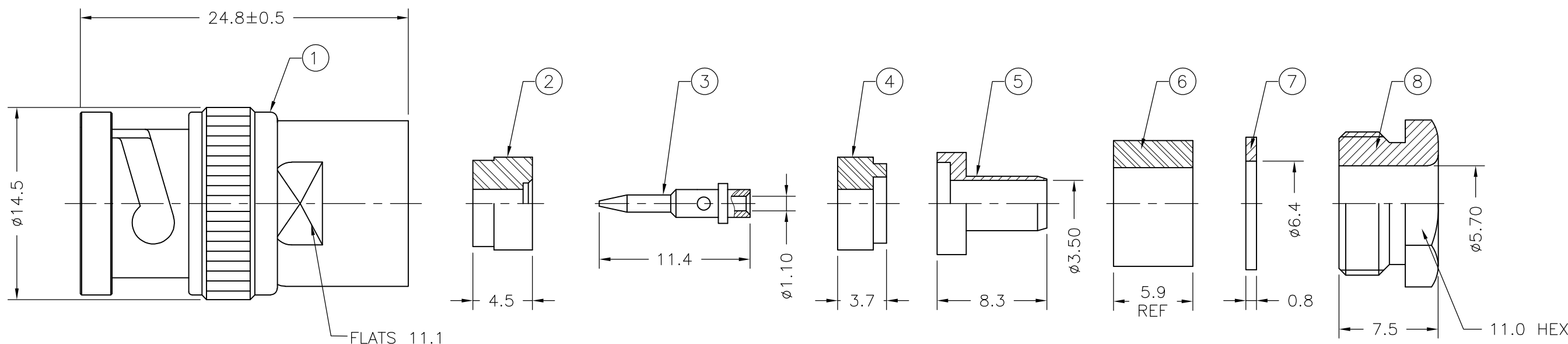


THIS DRAWING IS UNPUBLISHED. RELEASED FOR PUBLICATION  
 © COPYRIGHT - By - ALL RIGHTS RESERVED.

LOC	DIST	REVISIONS			
P	LTR	DESCRIPTION	DATE	DWN	APVD
	C	ECR-12-015809	07SEP2012	RZ	MY



STRIPPING DIMENSION

NOTES:

- SUPPLIED SEMI-ASSEMBLED (PACK CONTAINS LOOSE PIECES).
- DIE SET PART NUMBER N/A  
HANDTOOL PART NUMBER N/A
- FOR USE ON CABLES: URM202
- CHARACTERISTICS:
  - FREQUENCY RANGE: DC-1GHz
  - NOMINAL IMPEDANCE: 75 OHMS
  - INSULATION RESISTANCE: 5000 MOHMS
  - WORKING VOLTAGE: 500 V MAX
  - DIELECTRIC WITHSTAND VOLTAGE: 1500 V MAX
  - CONTACT RESISTANCE:  
CENTER CONTACT: 1.5 MILLIOHMS  
OUTER CONTACT: 1 MILLIOHMS
  - VSWR: 1.3 MAX
  - INSERTION LOSS: 0.2 dB MAX
  - DURABILITY: 500 CYCLES
  - CLAMP NUT RECOMMENDED TORQUE: 8 IN-LBS MAX.
  - TEMPERATURE RANGE: -65°C TO +165°C
- THIS PART HAS NOT COMPLETED VALIDATION TESTING.

ITEM	DESCRIPTION	MATERIAL	FINISH	QUANTITY
8	NUT	BRASS	SILVER	1
7	WASHER	BRASS	SILVER	1
6	GASKET	SILICONE RUBBER	WHITE	1
5	SLEEVE	BRASS	SILVER	1
4	INSULATOR	PTFE	NONE	1
3	CONTACT PIN	BRASS	SILVER	1
2	INSULATOR	PTFE	NONE	1
1	MAIN BODY	BRASS	SILVER	1
1-1478405-0	FINISH	MATERIAL		

THIS DRAWING IS A CONTROLLED DOCUMENT.		DWN 07SEP2012 RITA ZUO		TE Connectivity <b>BNC STRAIGHT PLUG 75 OHM FOR URM 202 CABLE</b>	
DIMENSIONS: mm		CHK 07SEP2012 GARY GAO			
TOLERANCES UNLESS OTHERWISE SPECIFIED:		APVD 07SEP2012 MARTIN YE			
0 PLC ± - 1 PLC ± 0.2 2 PLC ± 0.1 3 PLC ± - 4 PLC ± - ANGLES ± -		PRODUCT SPEC			
MATERIAL -		FINISH -		APPLICATION SPEC	
		411-3274		SIZE	RESTRICTED TO
		CUSTOMER DRAWING		A300779	
				CAGE CODE	DRAWING NO
				G-1478405	
				SCALE	SHEET
				3:1	1 OF 1
				REV	C

单击下面可查看定价，库存，交付和生命周期等信息

[>>TE Connectivity\(泰科\)](#)