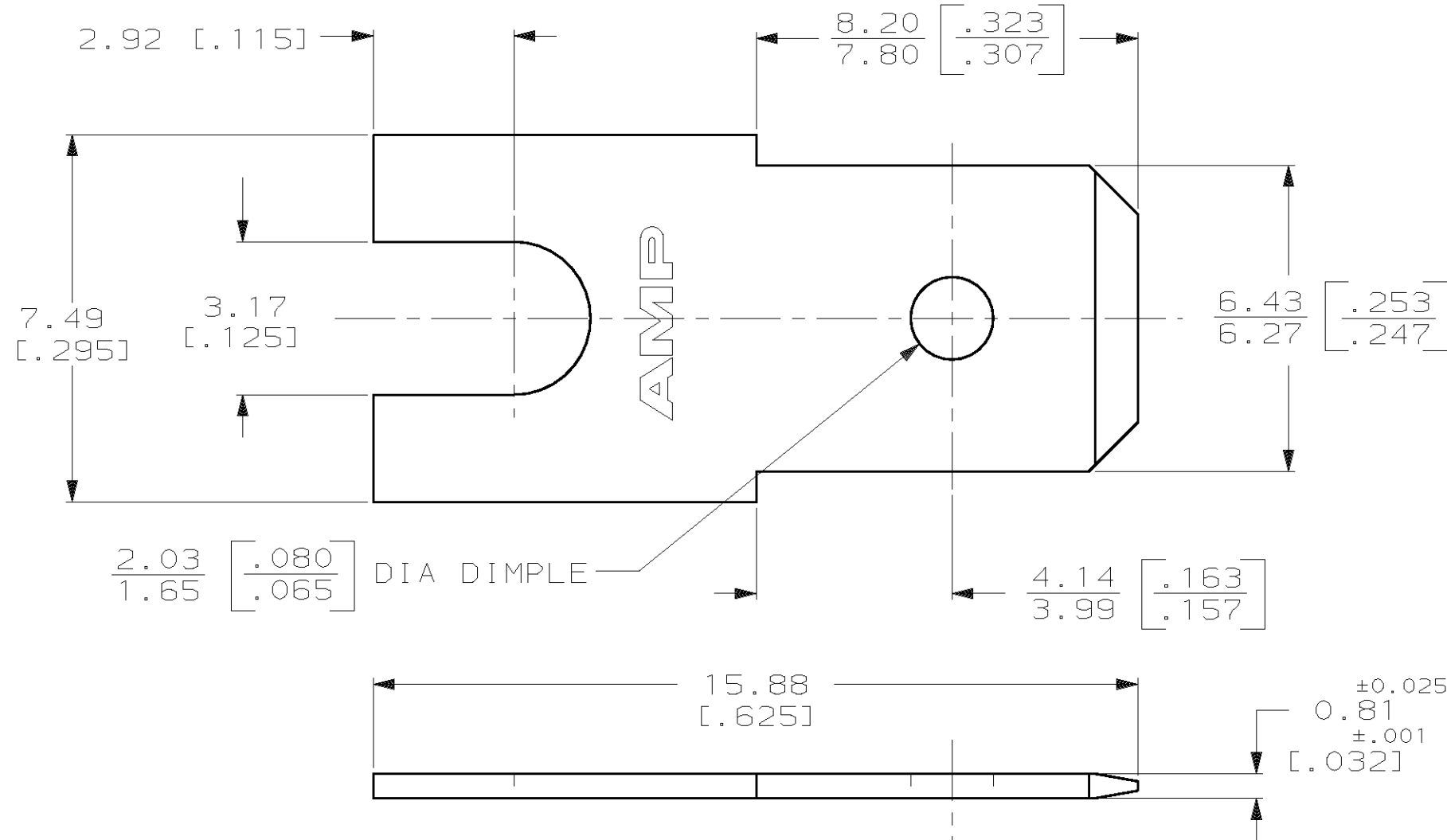


THIS DRAWING IS UNPUBLISHED. RELEASED FOR PUBLICATION, 19  
 © COPYRIGHT 19 BY AMP INCORPORATED. ALL INTERNATIONAL RIGHTS RESERVED.

LOC	DIST	P	F	ZONE	LTR	DESCRIPTION	DATE	APPD
AF	50				G	REV PER 0L10-0205-97	5/14/97	JR

1 SUPPLIED IN LOOSE PIECE



**METRIC**

DO NOT SCALE PRINT. UNLESS SPECIFIED DIMENSIONS IN mm [INCHES] TOLERANCES ON: 2 PLC DEC ± 0.25 [.010] 3 PLC DEC ± - ANGLES ± -	DR 12/19/91 JR RUTH CHK 12/19/91 MS FEHER APPD 12/19/91 C MEYERS APPD 12/19/91 D REINER PRODUCT SPEC - APPLICATION SPEC - WEIGHT -
MATERIAL SEE TABLE	
FINISH -	

T3 STEEL	60447-2
082 BRASS	60447-1
MATERIAL	PART NO
<b>AMP</b> AMP Incorporated Harrisburg, PA 17105-3608	
NAME TAB, FASTON, 6.35 [.250] SERIES	
SIZE B	CAGE CODE 00779
SCALE 8:1	DRAWING NO 60447
	SHEET 1 OF 1

单击下面可查看定价，库存，交付和生命周期等信息

[>>TE Connectivity\(泰科\)](#)