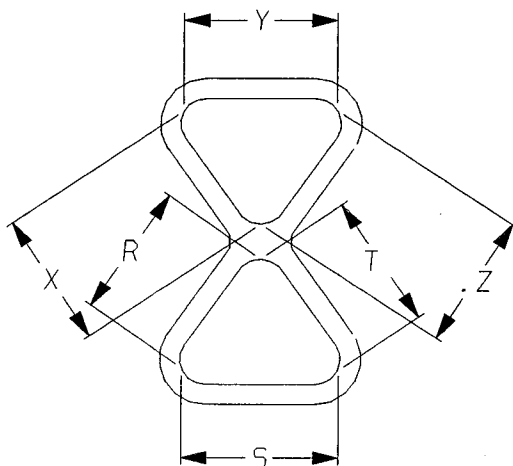
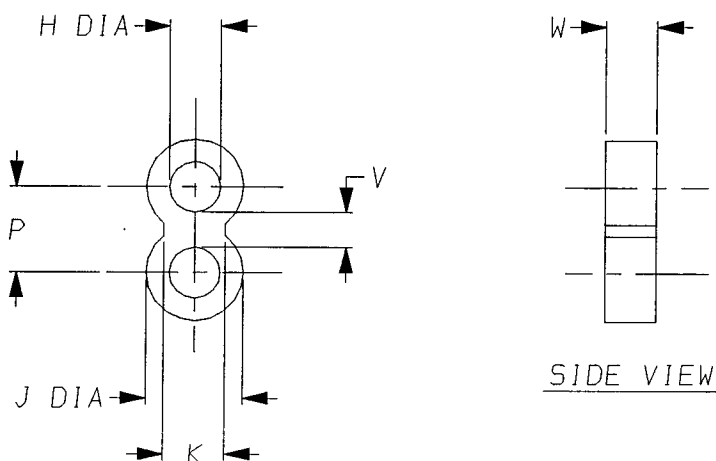


a) Part as supplied

400W242-130



b) Part after unrestricted recovery



DIMENSIONS (in millimetres)

Part No.	H	J	K	P	R	S	T	V	W	X	Y	Z
	MAX	MAX	±1.2	±1.7	±2	±2	±2	±0.45	±1	±2	±2	±2
	b	b	b	b	a	a	a	b	b	a	a	a
400W242-130	10.2	19.3	12	17	25	29	25	7.0	10	25	29	25

Copyright (!)

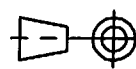
The copyright in this drawing is the property of Tyco Electronics UK Ltd. The drawing is issued on the condition that it is not copied, reproduced or disclosed to a third party, either in whole or in part without the prior written consent of Tyco Electronics UK Ltd.

Drawn A.LILLEY. Checked *[Signature]* Issue 2 Date September 2000 Conforms to 150 Recommendations

Approval
Design *[Signature]*

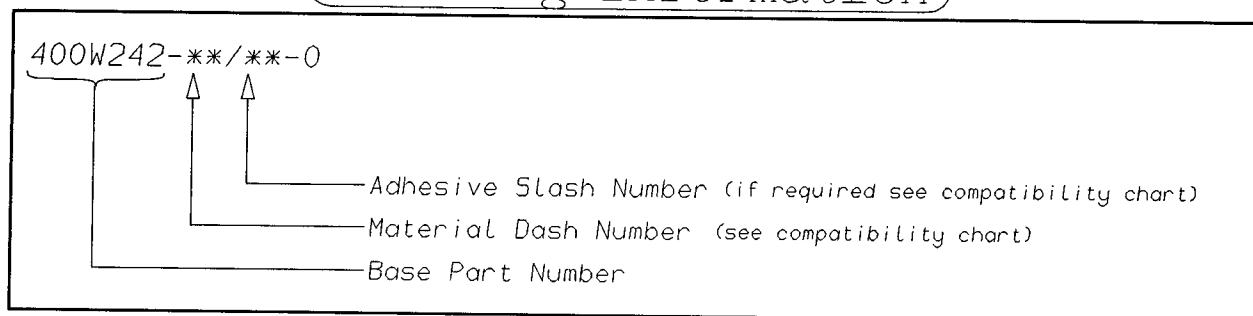
MKTG. *[Signature]* Q.A. *[Signature]*

3rd Angle Projection
Not to Scale



Iss.	Date	E.C.R. No.	Details of Change
2	September 2000	CR00-HM-0012	Compounds -3,-4,-25 removed

Ordering Information



COMPATIBILITY CHART

MATERIAL DASH NUMBER	MATERIAL DESCRIPTION	COATING SLASH NUMBER
-130	POLYOLEFIN, COMMERCIAL FLEXIBLE	/42, /86

AS SUPPLIED DIMENSIONS ARE FOR UNCOATED PARTS,
WHEN COATING IS ADDED, ENTRY DIAMETERS WILL REDUCE BY 1.5mm MAX.

Raychem Interconnect
 a Division of Tyco Electronics
 Swindon, Wiltshire, England. SN3 5JA
 Telephone: (01793) 528171 Fax: 572516

单击下面可查看定价，库存，交付和生命周期等信息

[>>TE Connectivity\(泰科\)](#)